

KONICA MINOLTA

# *PARTS GUIDE MANUAL*

---

*JUNE 2014*

*bizhub PRESS C6000/bizhub PRO  
C6000L  
A1DV*

## INFORMATION FOR PARTS GUIDE MANUAL

To find correct Parts No., refer to the "HOW TO MAKE THE BEST USE OF THIS MANUAL" in the following page.

### HOW TO MAKE THE BEST USE OF THIS MANUAL

- 1 When you order, please check the proper figures beforehand that are on Our Parts Guide Manual, and order with the appropriate figures.
- 2 For screws, Nuts, Washers, retaining rings and Pins which are used in this model, one letter is shown on the Standard parts column of Parts list and exploded diagrams.
- 3 In order to maintain safety of the product, some specific parts composed of this product are set up as "essential safety parts".
- 4 The assigned parts number for the "essential safety parts" is indicated as "SP00-\*\*\*\*".  
When replacing these parts, follow precautions for disassembling and installing which are listed in the Service Manual.  
Do not use any parts that are not set up as
- 5 ♣ means that there are exclusive parts for each destination.  
Please check the appropriate destination when you order.
- 6 Revision Mark  
Marked as ▲ on the illustration shows that the revision has been made.
- 7 All rights reserved. (any reprints or quotations are prohibited.)  
Use of this parts guide manual should be strictly supervised to avoid disclosure of confidential information.

## パーツガイドマニュアルのご案内

サービス部品をご発注の際には、下記に示す“パーツガイドマニュアルの活用にあたって”をご参照の上、正しい部品番号にてお願い致します。

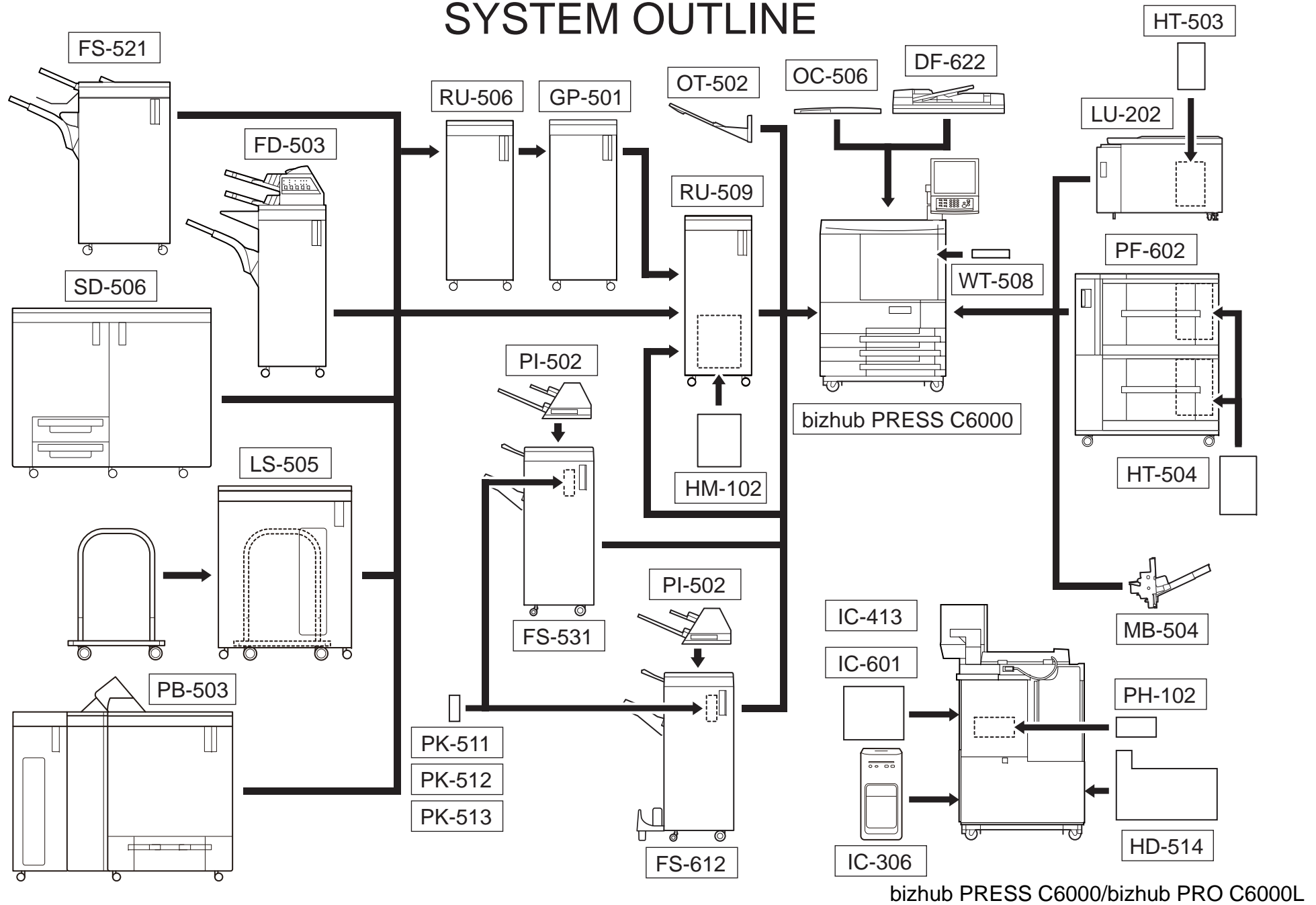
### パーツガイドマニュアルの活用にあたって

- 1 部品発注の際には、掲載されている部品番号の桁数を確認し、掲載されている桁数で発注願います。
- 2 この製品に使用されているネジ、ナット、ワッシャー、止め輪、ピンなどは、リストの右側の Standard parts 欄に a,b,c,…… で表示し、イラストにも a,b,c,…… 表示してあります。
- 3 製品の安全性を維持する為に、製品に使用される特定の部品を「重要保安部品」として設定しています。
- 4 重要保安部品の部品番号は、“SP00-\*\*\*\*”と記載されていますので、部品交換時は、サービスマニュアル記載の分解・組み立ての注意事項に従って作業をして下さい。  
また、指定以外の部品は一切使用しないで下さい。
- 5 本文に ♣ が表示されている部品は、仕向け地毎に専用部品がある事を意味しています。  
オーダーされる時は、仕向け地を確認して下さい。
- 6 改訂記号について  
イラスト上に ▲ 印が表示されている部分は、改訂された事を表します。
- 7 著作権所有（無断転載及び無断引用の禁止）  
本パーツガイドマニュアルについては、機密保持等その扱いには十分注意して下さい。万一取り扱いを誤った場合には、法律で処罰されることがあります。

07/24/2010



# SYSTEM OUTLINE



# GENERAL CONTENTS

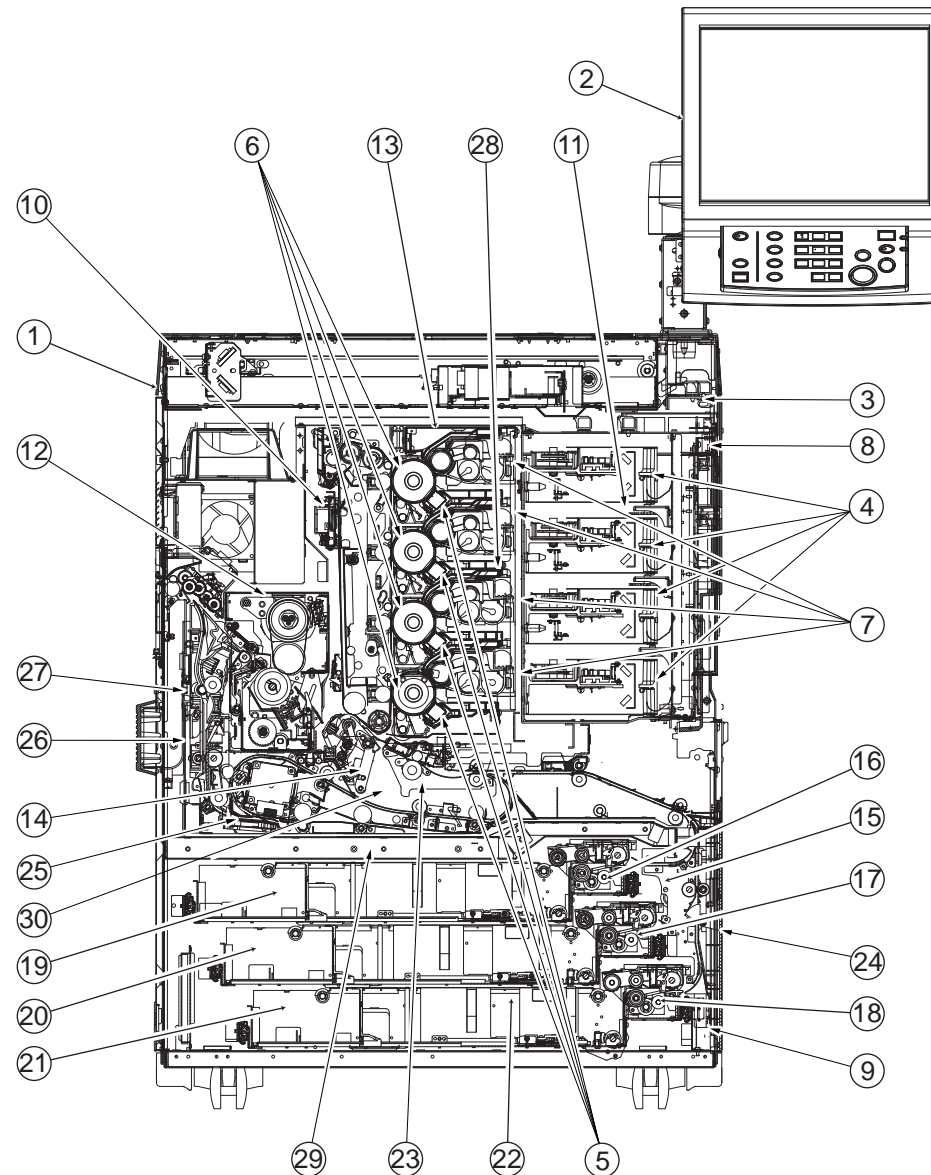
No.	Description	Model
1	Digital MFP Color	bizhub PRESS C6000/bizhub PRO C6000L
2	Paper Feeder	LU-202
3	Heater	HT-504
4	Heater	HT-503
5	Original Cover	OC-506
6	Output Tray	OT-502
7	Punch Unit	PK-511
8	Punch Unit	PK-512
9	Punch Unit	PK-513
10	Post Inserter	PI-502
11	Relay Unit	RU-506
12	Finisher/Sorter	FS-521
13	Folding Unit	FD-503
14	Large Capacity Stacker	LS-505
15	Saddle Unit	SD-506
16	Punch Unit	GP-501
17	Paper Feeder	PF-602/PF-602m
18	Perfect Binder	PB-503
19	HDD	HD-514
20	Finisher/Sorter	FS-612
21	Document Feeder	DF-622
22	Image Controller	IC-601

bizhub PRESS C6000/bizhub PRO C6000L

No.	Description	Model
23	Image Controller	IC-306
24	Bypass Tray	MB-504
25	Working Table	WT-508
26	Other Option	PH-102
27	Relay Unit	RU-509
28	Humidifier	HM-102
29	Finisher/Sorter	FS-531
30	Image Controller	IC-413

bizhub PRESS C6000/bizhub PRO C6000L

# DIAGRAMS OF MAIN PARTS SECTION



bizhub PRESS C6000/bizhub PRO C6000L

# CONTENTS

No.	DESCRIPTION	名称	PAGE No.
1	EXTERNAL PARTS	外装	P1 P2 P3 P4 P5 P6
2	OPERATION SECTION	操作部	P7 P8 P9
3	OPTICAL SECTION	光学部	P10 P11 P12 P13
4	WRITE SECTION	書込み部	P14
5	CHARGE CORONA SECTION	帯電極部	P15
6	PHOTO CONDUCTOR SECTION	感光体部	P16 P17 P18 P19
7	DEVELOPING SECTION	現像部	P20 P21 P22 P23
8	TONER SUPPLY SECTION	トナー補給部	P24 P25 P26 P27 P28 P29 P30 P31
9	TONER COLLECTING SECTION	トナー回収部	P32
10	INTERMEDIATE TRANSFER SECTION	中間転写部	P33 P34 P35 P36
11	COLOR RESIST SECTION	カラーレジスト部	P37
12	FUSING SECTION	定着部	P38 P39 P40 P41 P42 P43 P44 P45 P46
13	PROCESS CARRIAGE SECTION	プロセス架台部	P47 P48 P49
14	SECONDARY TRANSFER SECTION	二次転写部	P50
15	PAPER FEED DRIVING SECTION	給紙駆動部	P51
16	PAPER FEED SECTION : UPPER	給紙部 : 上	P52 P53 P54
17	PAPER FEED SECTION : MIDDLE	給紙部 : 中	P55 P56 P57
18	PAPER FEED SECTION : LOWER	給紙部 : 下	P58 P59 P60
19	CASSETTE : UPPER	カセット : 上	P61 P62 P63
20	CASSETTE : MIDDLE	カセット : 中	P64 P65 P66
21	CASSETTE : LOWER	カセット : 下	P67 P68 P69
22	CASSETTE DRIVING SECTION	カセット駆動部	P70
23	DUPLEX SECTION : REGISTRATION	両面部 : レジスト部	P71
24	DUPLEX SECTION : VERTICAL CONVEYANCE	両面部 : 垂直搬送	P72 P73
25	DUPLEX SECTION	両面部	P74 P75 P76 P77 P78 P79 P80 P81 P82 P83
26	PAPER EXIT SECTION	排紙部	P84 P85
27	DUPLEX SECTION : PAPER EXIT GUIDE	両面部 : 排紙ガイド	P86 P87 P88 P89
28	DRIVE SECTION	駆動部	P90 P91 P92 P93 P94 P95 P96 P97 P98 P99 P100
29	MAIN FRAME	骨格	P101 P102 P103 P104 P105 P106 P107 P108 P109
30	ELECTRICAL COMPONENTS	電装	P110 P111 P112 P113
31	WIRING	束線	P114 P115 P116 P117
32	WIRING ACCESSORIES	配線部品	P118 P119
33	JIG AND SERVICE MATERIAL	治具・サービス資材	P120 P121
34	ACCESSORY PARTS	同梱部品	P122

# INDEX

Parts No.	Page No.
000V-18-1	120-7
000V-18-2	120-7
000V-19-0	120-10
00M6-2-00	120-6
00VC-2-00	120-2
00VD-1000	120-8
059076510	54-9
059076510	57-9
059076510	60-9
067642581	70-9
07AA77302	51-21
07BA12352	3-12
07BA12352	31-2
07BA15871	36-19
08AA45230	35-22
08AA77360	31-6
08AA80030	95-13
08AA85512	5-8
08AA85512	10-19
08AA85512	11-14
08AA85512	25-15
08AA85512	38-9
08AA85512	53-26
08AA85512	56-26
08AA85512	59-26
08AA85512	62-25
08AA85512	63-13
08AA85512	65-25
08AA85512	66-13
08AA85512	68-22
08AA85512	69-13
08AA85512	72-12
08AA85512	78-14
08AA85512	80-2
08AA85512	84-19
08AA85512	85-19
08AA85512	87-9
08AA85512	95-15
08AA85512	103-15
090075530	51-15

Parts No.	Page No.
129X48350	102-12
129X48360	74-34
12AJ45850	75-25
12QR86011	25-19
12QV40650	76-18
12QV75030	77-30
13GG77030	38-13
13GG77030	40-5
13NG45200	101-12
13NT80511	108-25
13QA40610	87-12
13QA40610	96-15
13QA40610	97-15
13QA40610	98-15
13QA40610	99-15
13QA85511	81-9
13QA85511	82-6
13QA85511	83-6
13QA85511	86-11
13RN73120	111-18
14GE45470	82-30
14GE45470	83-34
14GE45470	88-30
15AAR73600	78-17
20AL48470G	38-5
25AA40100	54-5
25AA40100	57-5
25AA40100	60-5
25AA47500	78-32
25AA50080	75-34
25AA77720	78-20
25AA77730	73-13
25AA77730	78-22
25AA77890	26-8
25AA77890	27-8
25AA77890	28-9
25AA77890	29-9
25BA77171	30-16
25BA85541	32-22
25HA30330	40-33

Parts No.	Page No.
25HA30330	100-5
25SA-6201	10-23
25SA10200	102-8
25SA10200	107-3
25SA10431	102-16
25SA10431	107-18
25SA30160	20-19
25SA30160	21-19
25SA30160	22-19
25SA30160	23-19
25SA40960	52-22
25SA40960	54-4
25SA40960	55-22
25SA40960	57-4
25SA40960	58-22
25SA40960	60-4
25SA61070	10-10
25SA61540	13-2
25SA61550	13-9
25SA61650	11-13
25SA61700	10-4
25SA61710	10-5
25SA66420	104-6
25SA77420	51-14
26NA17580	90-1
26NA17580	91-1
26NA17580	92-1
26NA17580	93-1
26NA32660	30-9
26NA32870	25-10
26NA42061	52-17
26NA42061	55-17
26NA42061	58-17
26NA42560	52-3
26NA42560	55-3
26NA42560	58-3
26NA42560	72-19
26NA42560	75-29
26NA42560	77-11
26NA42560	81-17

Parts No.	Page No.
26NA42560	86-6
26NA47070	61-8
26NA47070	64-8
26NA47070	67-8
26NA53712	44-11
26NA53780	45-29
26NA54230	45-31
26NA54230	87-5
26NA61410	12-7
26NA61940	10-2
26NA62160	10-28
26NA73570	111-19
26NA82513	48-14
26TA32960	25-3
26TA32970	25-6
26TA32980	25-8
26TA32990	25-5
27LA80511	11-19
304078070	40-12
35EA77151	31-14
396040681	30-6
4038351102	106-14
4040078001	122-7
4040M10000	107-11
4040M40100	7-2
4040PJP100	121-3
4040PJP200	121-4
40AA32320	3-16
40AA32320	20-1
40AA32320	21-1
40AA32320	22-1
40AA32320	23-1
40AA32320	26-4
40AA32320	27-4
40AA32320	28-4
40AA32320	29-4
40AA32320	35-19
40AA46261	88-8
40AA46342	88-16
40AA77550	78-18

Parts No.	Page No.
40AA77660	26-9
40AA77660	27-9
40AA77660	28-8
40AA77660	29-8
40AA85011	5-10
40AA88031	26-23
40AA88031	27-23
40AA88031	28-23
40AA88031	29-24
40AA98020D	26-32
40AA98020D	27-32
40AA98020D	28-32
40AA98020D	29-33
40LA32850	25-9
40LA73840	111-17
4109553001	53-30
4109553001	56-30
4109553001	59-30
4470402401	10-8
4470402401	11-6
4470402401	102-4
450053391	39-8
454078030	40-13
454078050	100-3
462076010	78-31
466076020	30-13
466076020	81-23
500075010	11-18
500075010	40-9
55FA40320	54-22
55FA40320	57-22
55FA40320	60-22
55GA75031	41-8
55GA86010	101-3
55TA61320	11-22
55TA84561	110-3
55VA12470	106-7
55VA15541	77-19
55VA20680	24-1
55VA32530	79-10

Parts No.	Page No.	Parts No.	Page No.	Parts No.	Page No.	Parts No.	Page No.	Parts No.	Page No.
55VA40600	62-13	56AA12130	5-9	56AA17490	96-19	56AA40090	56-16	56AA40430	58-6
55VA40600	65-13	56AA12140	5-14	56AA17490	97-19	56AA40090	59-16	56AA40440	52-8
55VA40600	68-13	56AA12150	5-11	56AA17490	98-19	56AA40100G	53-6	56AA40440	55-8
55VA40930	63-10	56AA12160	5-12	56AA17490	99-19	56AA40100G	56-6	56AA40440	58-8
55VA40930	66-9	56AA12241	3-24	56AA17510	52-14	56AA40100G	59-6	56AA40450	53-14
55VA40930	69-9	56AA17090	77-17	56AA17510	54-8	56AA40120	53-13	56AA40450	56-14
55VA42120	34-4	56AA17121	53-8	56AA17510	55-13	56AA40120	56-13	56AA40450	59-14
55VA42120	50-7	56AA17121	56-8	56AA17510	57-8	56AA40120	59-13	56AA40460	53-33
55VA42120	53-10	56AA17121	59-8	56AA17510	58-13	56AA40171	53-27	56AA40460	56-33
55VA42120	54-16	56AA17300	72-24	56AA17510	60-8	56AA40171	56-27	56AA40460	59-33
55VA42120	56-10	56AA17300	82-19	56AA17531	20-17	56AA40171	59-27	56AA40470	53-17
55VA42120	57-16	56AA17300	84-26	56AA17531	21-17	56AA40190	53-28	56AA40470	56-17
55VA42120	59-10	56AA17310	34-10	56AA17531	22-17	56AA40190	56-28	56AA40470	59-17
55VA42120	60-16	56AA17321	41-23	56AA17531	23-17	56AA40190	59-28	56AA40481	52-5
55VA42120	71-15	56AA17321	77-5	56AA17531	35-2	56AA40230	53-25	56AA40481	55-5
55VA42120	73-8	56AA17321	79-9	56AA17531	40-15	56AA40230	56-25	56AA40481	58-5
55VA42120	76-10	56AA17321	84-12	56AA17531	41-31	56AA40230	59-25	56AA40490	31-19
55VA42120	80-6	56AA17321	87-2	56AA17551	84-24	56AA40240	53-19	56AA40490	34-2
55VA42220	62-16	56AA17321	88-11	56AA17551	89-10	56AA40240	56-19	56AA40490	35-9
55VA42220	65-16	56AA17461	30-12	56AA17620	102-20	56AA40240	59-19	56AA40490	54-1
55VA42220	68-14	56AA17461	51-7	56AA17630	102-24	56AA40300	54-13	56AA40490	57-1
55VA53970	39-5	56AA17461	78-29	56AA17640	102-23	56AA40300	57-13	56AA40490	60-1
55VA53970	43-25	56AA17461	89-16	56AA17760	53-21	56AA40300	60-13	56AA40500	53-23
55VA53970	45-2	56AA17471	30-14	56AA17760	54-7	56AA40310	53-29	56AA40500	56-23
55VA75540	53-12	56AA17471	38-14	56AA17760	56-21	56AA40310	56-29	56AA40500	59-23
55VA75540	56-12	56AA17471	40-4	56AA17760	57-7	56AA40310	59-29	56AA40510	53-15
55VA75540	59-12	56AA17471	51-20	56AA17760	59-21	56AA40360	52-21	56AA40510	56-15
55VA77130	51-11	56AA17471	76-2	56AA17760	60-7	56AA40360	55-21	56AA40510	59-15
55VA77870	40-2	56AA17471	81-20	56AA20870	44-6	56AA40360	58-21	56AA40520	53-34
55VA79030	52-16	56AA17471	87-14	56AA20940D	35-24	56AA40370	53-31	56AA40520	56-34
55VA79030	55-15	56AA17471	100-9	56AA40010	52-7	56AA40370	56-31	56AA40520	59-34
55VA79030	58-15	56AA17480	40-21	56AA40010	55-7	56AA40370	59-31	56AA40530	52-18
55VA90840	108-28	56AA17480	51-6	56AA40010	58-7	56AA40380	54-20	56AA40530	55-18
55WA10300	102-17	56AA17480	53-18	56AA40032E	53-35	56AA40380	57-20	56AA40530	58-18
55WA10300	107-19	56AA17480	56-18	56AA40032E	56-35	56AA40380	60-20	56AA40540	52-19
55WA10310	102-19	56AA17480	59-18	56AA40032E	59-35	56AA40390	53-9	56AA40540	55-19
56AA-6421	10-31	56AA17480	71-20	56AA40070	54-12	56AA40390	56-9	56AA40540	58-19
56AA10101	107-5	56AA17480	76-14	56AA40070	57-12	56AA40390	59-9	56AA42690	40-19
56AA10300	103-2	56AA17480	77-18	56AA40070	60-12	56AA40430	52-6	56AA42690	87-3
56AA12120	5-13	56AA17480	83-17	56AA40090	53-16	56AA40430	55-6	56AA44150	72-3

Parts No.	Page No.	Parts No.	Page No.	Parts No.	Page No.	Parts No.	Page No.	Parts No.	Page No.
56AA44200	72-1	56AA82012	59-11	57AA40420	52-9	65AA10640	105-23	65AA12630	3-1
56AA44200	77-3	56AA82012	60-17	57AA40420	55-9	65AA10660	101-2	65AA12640	3-10
56AA50311E	74-20	56AA82012	73-9	57AA40420	58-9	65AA10690	102-14	65AA12720	122-1
56AA50381	74-21	56AA82012	76-9	57AA50760	78-1	65AA10700	102-22	65AA12730	122-2
56AA50700	78-38	56AA85521	71-8	57AA53520	75-1	65AA10710	101-18	65AA12790E	3-26
56AA50730	78-35	56AA85521	75-23	57AF88730	113-4	65AA10810	103-5	65AA12800	3-27
56AA52700	89-19	56AA85521	77-26	65AA-0750	101-14	65AA10820	106-18	65AA12821	3-32
56AA53470	43-30	56AA85531	11-26	65AA-2320	48-10	65AA10840	105-9	65AA12830	3-33
56AA54640	20-23	56AA85601	61-10	65AA-2330	48-12	65AA10900	101-10	65AA15030	97-2
56AA54640	21-23	56AA85601	64-10	65AA-3970	25-17	65AA10940D	105-1	65AA15030	99-2
56AA54640	22-23	56AA85601	67-11	65AA-4110E	51-26	65AA10950D	105-3	65AA15040	96-2
56AA54640	23-23	56AA90610E	53-7	65AA-4120	51-4	65AA10960	105-2	65AA15040	98-2
56AA61290	10-24	56AA90610E	56-7	65AA-4340	72-5	65AA10970	105-4	65AA15200	96-6
56AA61290	13-5	56AA90610E	59-7	65AA-4390	73-23	65AA11020	108-12	65AA15200	97-6
56AA61372	10-33	56AA97140	122-8	65AA-4400	73-10	65AA11050D	107-2	65AA15200	98-6
56AA61400	10-30	56GA76010	75-17	65AA-4750	61-29	65AA11140	107-15	65AA15200	99-6
56AA61410	10-32	56QA20150	48-4	65AA-4750	64-29	65AA11170	105-20	65AA15210	96-5
56AA61420	11-7	56QA40080	52-12	65AA-4750	67-28	65AA11200	101-8	65AA15210	97-5
56AA61431	11-8	56QA40080	55-14	65AA-6280	13-3	65AA11300	48-8	65AA15210	98-5
56AA61470D	108-29	56QA40080	58-14	65AA-9061E	30-1	65AA11300	104-18	65AA15210	99-5
56AA73560	113-6	56QA40250	52-13	65AA-9071E	10-11	65AA11310	102-18	65AA15230	96-9
56AA77330	26-2	56QA40250	55-12	65AA-9091E	94-6	65AA11320	101-9	65AA15230	97-9
56AA77330	27-2	56QA40250	58-12	65AA-9091E	96-7	65AA11350	108-30	65AA15230	98-9
56AA77330	28-2	56QA40270	52-20	65AA-9091E	97-7	65AA11390	108-3	65AA15230	99-9
56AA77330	29-2	56QA40270	55-20	65AA-9091E	98-7	65AA11410	103-8	65AA15240	96-13
56AA77330	30-17	56QA40270	58-20	65AA-9091E	99-7	65AA11430	101-4	65AA15240	97-13
56AA77590	54-14	56QA40550	52-10	65AA-9920	120-9	65AA11440D	101-19	65AA15240	98-13
56AA77590	57-14	56QA40550	55-10	65AA10180E	108-1	65AA11490	103-7	65AA15240	99-13
56AA77590	60-14	56QA40550	58-10	65AA10190	105-19	65AA11500	102-1	65AA16080	100-1
56AA77720E	53-24	56QA80570	83-21	65AA10200D	105-16	65AA11530	107-17	65AA17100	95-16
56AA77720E	56-24	56UA12690	111-10	65AA10230D	105-11	65AA11590	105-10	65AA17130	95-2
56AA77720E	59-24	56UA12700	11-1	65AA10260	101-15	65AA11630	102-15	65AA17140	95-1
56AA77730	53-20	56UA12770	122-5	65AA10260	104-3	65AA11650	102-21	65AA17180	95-4
56AA77730	56-20	56UA70330	7-21	65AA10360E	109-1	65AA12021F	5-3	65AA17200	94-7
56AA77730	59-20	56UA75070	45-17	65AA10470	103-3	65AA12270D	1-8	65AA17220D	95-11
56AA80551	78-9	56UA97300	31-1	65AA10480	105-8	65AA12280	3-11	65AA18060	90-6
56AA82012	53-11	56UA97300	104-16	65AA10490	109-7	65AA12320E	101-20	65AA18060	91-6
56AA82012	54-17	56UA97310E	4-10	65AA10540E	103-4	65AA12570D	5-1	65AA18060	92-6
56AA82012	56-11	56UA97320E	4-11	65AA10550	103-6	65AA12610	3-9	65AA18060	93-6
56AA82012	57-17	56UAPJG000	120-11	65AA10580F	107-9	65AA12620D	3-8	65AA18070	90-4



Parts No.	Page No.	Parts No.	Page No.	Parts No.	Page No.	Parts No.	Page No.	Parts No.	Page No.
65AA18070	91-4	65AA24070	32-41	65AA26610	37-9	65AA32110	29-7	65AA32940	26-21
65AA18070	92-4	65AA24080	32-31	65AA26690D	34-26	65AA32160D	25-1	65AA32940	27-21
65AA18070	93-4	65AA24120	32-15	65AA26740	34-8	65AA32430	26-12	65AA32940	28-21
65AA20040	16-7	65AA24130	32-13	65AA26750	34-9	65AA32430	27-12	65AA32940	29-22
65AA20040	17-7	65AA24140	32-9	65AA26760	34-7	65AA32430	28-13	65AA32950	26-16
65AA20040	18-7	65AA24171	51-17	65AA26810D	34-21	65AA32430	29-13	65AA32950	27-16
65AA20040	19-7	65AA24200	32-6	65AA26840	35-8	65AA32461	26-3	65AA32950	28-16
65AA20060	16-9	65AA24210	32-4	65AA26870	34-17	65AA32461	27-3	65AA32950	29-16
65AA20060	17-9	65AA24220	32-17	65AA26900D	36-21	65AA32461	28-3	65AA32970	26-29
65AA20060	18-9	65AA24240	32-28	65AA26920E	34-1	65AA32461	29-3	65AA32970	27-29
65AA20060	19-9	65AA24250	32-27	65AA26950D	34-20	65AA32470	28-10	65AA32970	28-29
65AA20060	35-10	65AA24260E	32-20	65AA27090D	35-4	65AA32470	29-12	65AA32970	29-30
65AA20300	16-8	65AA24300	51-19	65AA27110	37-6	65AA32501	26-10	65AA33020E	24-10
65AA20300	17-8	65AA24310	32-14	65AA27180	36-20	65AA32501	27-10	65AA33040	24-4
65AA20300	18-8	65AA24330	32-7	65AA272100	36-10	65AA32501	28-11	65AA33050	24-5
65AA20300	19-8	65AA24340	32-33	65AA27240	34-6	65AA32501	29-10	65AA33070E	24-16
65AA20300	35-11	65AA24360	32-19	65AA27240	36-9	65AA32620H	26-24	65AA33150	24-22
65AA20450	16-4	65AA24371E	103-12	65AA27280	35-12	65AA32620H	27-24	65AA33160	24-23
65AA20450	17-4	65AA24380	103-14	65AA27300	37-8	65AA32620H	28-24	65AA33231D	24-14
65AA20450	18-4	65AA24400	32-3	65AA27320	35-14	65AA32620H	29-25	65AA33260	26-28
65AA20450	19-4	65AA24410	32-18	65AA27360	37-10	65AA32700D	30-23	65AA33260	27-28
65AA22100	49-2	65AA24420	32-34	65AA27460	36-1	65AA32710	30-21	65AA33260	28-28
65AA22130	49-12	65AA24430	32-11	65AA27470	36-2	65AA32720D	30-19	65AA33260	29-29
65AA22140	49-7	65AA24440	32-5	65AA30701	24-7	65AA32730	26-27	65AA33270	31-21
65AA22260	49-5	65AA26050D	34-14	65AA30910	24-8	65AA32730	27-27	65AA33270	102-25
65AA22290	49-4	65AA26100E	36-6	65AA32020	26-14	65AA32730	28-27	65AA33270	107-1
65AA22350E	49-1	65AA26111	34-22	65AA32020	27-14	65AA32730	29-28	65AA33290	26-31
65AA22360	49-8	65AA26131F	36-26	65AA32020	28-15	65AA32761	26-6	65AA33290	27-31
65AA22370E	48-5	65AA26141F	34-23	65AA32020	29-15	65AA32761	27-6	65AA33290	28-31
65AA22460	47-12	65AA26190	34-28	65AA32030	26-13	65AA32761	28-6	65AA33290	29-32
65AA22590	48-11	65AA26250E	36-8	65AA32030	27-13	65AA32761	29-6	65AA33310F	24-11
65AA22680	47-3	65AA26270E	36-29	65AA32030	28-14	65AA32800	26-22	65AA33320	26-11
65AA22750	48-9	65AA26380	34-16	65AA32030	29-14	65AA32800	27-22	65AA33320	27-11
65AA22760	48-6	65AA26380	36-23	65AA32040	26-18	65AA32800	28-22	65AA33320	28-12
65AA22800	49-11	65AA26400	35-7	65AA32040	27-18	65AA32800	29-18	65AA33320	29-11
65AA22820	48-13	65AA26530	36-12	65AA32040	28-18	65AA32851	26-20	65AA33360	26-5
65AA22830D	47-4	65AA26560D	36-28	65AA32040	29-19	65AA32851	27-20	65AA33360	27-5
65AA24030	32-35	65AA26570	37-7	65AA32110	26-7	65AA32851	28-20	65AA33360	28-5
65AA24040	32-38	65AA26580	37-11	65AA32110	27-7	65AA32851	29-21	65AA33360	29-5
65AA24060	32-8	65AA26600	34-31	65AA32110	28-7	65AA32890	30-22	65AA40010	53-5

Parts No.	Page No.	Parts No.	Page No.	Parts No.	Page No.	Parts No.	Page No.	Parts No.	Page No.
65AA40010	56-5	65AA44320	73-14	65AA47130	65-24	65AA47420	61-4	65AA47620	65-2
65AA40010	59-5	65AA44330	73-7	65AA47130	68-21	65AA47420	64-4	65AA47620	68-2
65AA40020	53-37	65AA44340	73-15	65AA47140	62-8	65AA47420	67-4	65AA47630	61-23
65AA40020	56-37	65AA44350	73-12	65AA47140	65-8	65AA47450	63-1	65AA47630	62-3
65AA40020	59-37	65AA44380	72-16	65AA47140	68-8	65AA47450	66-1	65AA47630	64-23
65AA40060	53-3	65AA44390	72-7	65AA47160	61-12	65AA47450	69-1	65AA47630	65-3
65AA40060	56-3	65AA44410	72-4	65AA47160	64-12	65AA47470D	61-28	65AA47630	67-23
65AA40060	59-3	65AA44420	73-16	65AA47160	67-13	65AA47470D	64-28	65AA47630	68-3
65AA40070	53-36	65AA44430	73-21	65AA47170	61-24	65AA47470D	67-25	65AA47650	63-4
65AA40070	56-36	65AA44440	73-18	65AA47170	64-24	65AA47480	63-2	65AA47650	66-4
65AA40070	59-36	65AA44460	72-6	65AA47170	67-24	65AA47480	66-2	65AA47650	69-4
65AA40080E	54-10	65AA44470	72-11	65AA47180	61-25	65AA47480	69-2	65AA47660	63-5
65AA40080E	57-10	65AA45011	50-4	65AA47180	64-25	65AA47490E	61-6	65AA47660	66-5
65AA40080E	60-10	65AA45040	50-20	65AA47180	67-33	65AA47490E	64-6	65AA47660	69-5
65AA40090D	53-38	65AA45070	50-18	65AA47190	61-31	65AA47490E	67-6	65AA47680	61-21
65AA40090D	56-38	65AA45220	79-15	65AA47190	64-31	65AA47500	62-23	65AA47680	64-21
65AA40090D	59-38	65AA45230	79-16	65AA47190	67-30	65AA47500	65-23	65AA47680	67-21
65AA40110	53-4	65AA45241	79-13	65AA47210	61-2	65AA47500	68-26	65AA47700D	62-14
65AA40110	56-4	65AA46020	71-23	65AA47210	64-2	65AA47520	63-8	65AA47700D	65-14
65AA40110	59-4	65AA46030	71-17	65AA47210	67-2	65AA47520	66-8	65AA47700D	68-15
65AA41040	51-10	65AA46080	71-12	65AA47270	61-11	65AA47520	69-8	65AA47710	70-6
65AA42610	61-14	65AA46120	71-10	65AA47270	64-11	65AA47530	63-6	65AA47720D	61-19
65AA42610	64-13	65AA46130D	71-19	65AA47270	67-12	65AA47530	66-6	65AA47720D	64-19
65AA42610	67-10	65AA47020D	63-9	65AA47290	70-1	65AA47530	69-6	65AA47720D	67-19
65AA44030	73-4	65AA47020D	66-10	65AA47310E	63-15	65AA47550	61-22	65AA47730E	62-29
65AA44050	73-5	65AA47020D	69-10	65AA47310E	66-15	65AA47550	62-4	65AA47730E	65-29
65AA44060	73-20	65AA47040D	103-1	65AA47310E	69-15	65AA47550	64-22	65AA47730E	68-28
65AA44100	72-9	65AA47060E	61-9	65AA47320	63-16	65AA47550	65-4	65AA47740E	61-1
65AA44130	73-17	65AA47060E	64-9	65AA47320	66-16	65AA47550	67-22	65AA47740E	62-22
65AA44150	72-20	65AA47060E	67-9	65AA47320	69-16	65AA47550	68-4	65AA47740E	64-1
65AA44170E	72-23	65AA47070F	62-17	65AA47340	61-17	65AA47580	63-7	65AA47740E	65-22
65AA44200	73-22	65AA47070F	65-18	65AA47340	64-17	65AA47580	66-7	65AA47740E	67-1
65AA44220	73-11	65AA47070F	68-18	65AA47340	67-17	65AA47580	69-7	65AA47740E	68-24
65AA44230	72-2	65AA47111	62-20	65AA47360	70-8	65AA47590	61-20	65AA47750	63-12
65AA44240	72-21	65AA47111	65-20	65AA47370	70-5	65AA47590	64-20	65AA47750	66-12
65AA44250	72-17	65AA47111	68-16	65AA47380	70-4	65AA47590	67-20	65AA47750	69-12
65AA44270	72-10	65AA47120D	63-14	65AA47390	70-7	65AA47600E	61-15	65AA47771E	63-18
65AA44280	73-3	65AA47120D	66-14	65AA47410D	63-17	65AA47600E	64-14	65AA47771E	66-18
65AA44290	73-1	65AA47120D	69-14	65AA47410D	66-17	65AA47600E	67-15	65AA47771E	69-18
65AA44300	73-2	65AA47130	62-24	65AA47410D	69-17	65AA47620	62-2	65AA47780	61-32

Parts No.	Page No.	Parts No.	Page No.	Parts No.	Page No.	Parts No.	Page No.	Parts No.	Page No.
65AA47780	64-32	65AA49410	77-7	65AA50570	74-10	65AA61250	10-6	65AA77320	17-13
65AA47780	67-31	65AA49410	88-10	65AA50580	74-13	65AA61290D	10-9	65AA77320	18-13
65AA47790D	62-28	65AA49450	86-16	65AA50590	74-8	65AA61300E	11-23	65AA77320	19-13
65AA47790D	65-28	65AA49470	86-23	65AA50600	74-9	65AA61310D	10-37	65AA77390	30-11
65AA47790D	68-29	65AA49470	88-24	65AA50610	74-11	65AA61350	11-17	65AA77470	40-18
65AA47800	62-27	65AA49500	83-11	65AA50620	74-12	65AA61360	12-5	65AA77480	40-11
65AA47800	65-27	65AA49510F	80-18	65AA50630	74-14	65AA61370	12-6	65AA77510	71-21
65AA47800	68-25	65AA49510F	88-2	65AA50640	75-30	65AA61390	10-18	65AA77520	76-13
65AA47820	62-21	65AA49520	82-26	65AA50640	77-13	65AA61400	10-17	65AA77530	51-8
65AA47820	65-21	65AA49520	89-1	65AA50720	75-5	65AA61410	13-1	65AA77540	51-2
65AA47820	68-27	65AA49530	88-21	65AA50740	74-25	65AA61430	13-4	65AA77540	77-28
65AA47831	61-27	65AA50060E	75-36	65AA50810	78-39	65AA61440E	11-25	65AA77710	79-14
65AA47831	64-27	65AA50070D	77-14	65AA50840	78-36	65AA61460E	10-25	65AA77720	78-23
65AA47831	67-27	65AA50080F	75-21	65AA50860	78-13	65AA61491D	11-9	65AA77730	78-24
65AA47860	63-3	65AA50090	75-20	65AA51180	77-23	65AA61510	12-3	65AA77840	32-1
65AA47860	66-3	65AA50110	77-6	65AA51280E	76-11	65AA61560D	11-29	65AA77840	94-2
65AA47860	69-3	65AA50120E	77-4	65AA51311	87-19	65AA61570E	10-26	65AA77850	32-29
65AA47900E	62-26	65AA50130E	77-9	65AA51400	75-31	65AA61580	11-24	65AA77850	51-18
65AA47900E	65-26	65AA50150	75-19	65AA51400	77-12	65AA61580	108-7	65AA77860	51-24
65AA47900E	68-23	65AA50160	75-26	65AA51480	87-10	65AA61620	10-1	65AA77870	71-22
65AA47970	70-10	65AA50170	77-24	65AA51500	87-20	65AA73040D	112-2	65AA77880	95-6
65AA48230F	85-6	65AA50180	74-19	65AA51510	75-7	65AA73050D	113-11	65AA77890	95-7
65AA48302E	85-7	65AA50190	74-18	65AA51520	75-35	65AA73090D	112-1	65AA77900	95-8
65AA48360	85-15	65AA50250	74-3	65AA51530	75-33	65AA73100E	113-12	65AA77910	95-12
65AA48440	85-18	65AA50310	78-15	65AA51670D	75-32	65AA73140D	113-5	65AA77960	32-10
65AA48460	85-12	65AA50320	78-27	65AA51730	80-3	65AA73150	102-6	65AA77970	32-16
65AA49110	86-21	65AA50350	78-30	65AA53230	43-28	65AA73160	102-7	65AA77980	51-12
65AA49141	86-7	65AA50360D	78-12	65AA53371	41-25	65AA73450	111-11	65AA77990	51-13
65AA49150	88-29	65AA50370D	78-26	65AA53380	41-28	65AA75010E	9-6	65AA78010	100-2
65AA49160E	88-19	65AA50380F	101-17	65AA53420	41-27	65AA75051	96-8	65AA78020	90-3
65AA49180	86-22	65AA50400	101-13	65AA53520F	41-13	65AA75051	97-8	65AA78020	91-3
65AA49190	87-11	65AA50420	78-28	65AA53560	41-26	65AA75051	98-8	65AA78020	92-3
65AA49200	88-20	65AA50430	105-15	65AA53651	40-16	65AA75051	99-8	65AA78020	93-3
65AA49210	88-7	65AA50440D	74-27	65AA53950	39-11	65AA75060	32-30	65AA78040	30-15
65AA49260	88-28	65AA50440D	105-14	65AA53991	41-2	65AA75070	32-2	65AA78050E	51-16
65AA49270	89-4	65AA50460	105-5	65AA61120	13-8	65AA75081	49-9	65AA80021	51-23
65AA49280	88-1	65AA50471F	77-22	65AA61180	11-12	65AA75090	36-7	65AA80112	82-18
65AA49290	88-3	65AA50480	77-27	65AA61200	12-4	65AA76510	10-35	65AA80112	83-18
65AA49300E	88-12	65AA50490	77-25	65AA61200	13-6	65AA76520	11-16	65AA80131	10-34
65AA49320	88-15	65AA50560D	75-22	65AA61210	11-15	65AA77320	16-13	65AA80590	24-21

Parts No.	Page No.	Parts No.	Page No.	Parts No.	Page No.	Parts No.	Page No.	Parts No.	Page No.
65AA85010	10-27	65AAR74300	33-5	A00J617800	91-7	A03U105702	108-8	A03U191800	8-3
65AA88010	45-21	65GE47080	62-30	A00J617800	92-7	A03U106300	105-21	A03U191900	8-6
65AA88020	43-27	65GE47080	65-30	A00J617800	93-7	A03U106400	105-22	A03U192000	8-2
65AA90150E	72-13	65GE47080	68-30	A00J617800	95-10	A03U107500	104-5	A03U192100	8-7
65AA90170E	62-11	65GE47090	61-26	A00J617800	100-13	A03U108800	101-7	A03U192200	8-12
65AA90170E	65-11	65GE47090	64-26	A00J617900	40-31	A03U108900	107-16	A03U192300	9-10
65AA90170E	68-11	65GE47090	67-26	A00J617900	87-4	A03U117800	107-24	A03U193100	9-20
65AA90190	112-3	65GE97400	54-11	A00J617900	88-17	A03U118100	107-23	A03U193200	9-17
65AA90200	112-6	65GE97400	57-11	A00J617900	89-18	A03U118300	107-22	A03U193300	8-10
65AA90210	112-5	65GE97400	60-11	A00J618400	51-1	A03U118401	107-20	A03U193400	8-19
65AA90260	113-7	65GE97490	62-9	A00J663200	52-11	A03U118800	108-24	A03U193500	8-21
65AA90291	33-3	65GE97490	65-9	A00J663200	53-22	A03U118900	108-21	A03U193600	8-16
65AA90310	10-13	65GE97490	68-9	A00J663200	54-3	A03U119000	108-23	A03U193700	8-13
65AA90320E	10-12	65LA48530	85-2	A00J663200	55-11	A03U119100	108-22	A03U193800	8-9
65AA90580	61-3	65LA48550	106-2	A00J663200	56-22	A03U119200	108-20	A03U193900	9-21
65AA90580	64-3	65LA48560	106-3	A00J663200	57-3	A03U135000	108-31	A03U194002	8-1
65AA90580	67-3	65LA48570	106-5	A00J663200	58-11	A03U136500	111-20	A03U194102	8-18
65AA90650	37-3	7050K0020	120-1	A00J663200	59-22	A03U161000	1-7	A03U195302	9-3
65AA90670	10-20	9335150021	102-3	A00J663200	60-3	A03U162001	3-30	A03U195400	9-2
65AA90680E	11-27	9381410131	122-7	A00J945400	4-6	A03U163011	5-5	A03U195500	9-4
65AA90691E	5-7	9J03M10000	85-4	A00JM60300	110-1	A03U164500	122-3	A03U211000	96-17
65AA90710	80-19	9J03M10000	104-19	A00V240600	34-5	A03U165801	3-25	A03U211000	97-17
65AA90720E	87-8	9J03M10000	108-4	A00V240600	36-5	A03U166000	3-6	A03U211000	98-17
65AA90810	78-11	9J06730201	108-14	A00V240600	38-8	A03U166900	102-2	A03U211000	99-17
65AA90850	77-1	9J06N30000	122-7	A00V240600	40-6	A03U167800	3-19	A03U212101	95-3
65AA90880	113-2	9J06PJP100	121-1	A00V240600	51-3	A03U168500	3-15	A03U212201	95-5
65AA90890E	51-22	9J06PJP200	121-2	A00V240600	71-14	A03U168600	3-31	A03U220300	100-8
65AA90920E	32-21	9J07M20100	30-7	A00V240600	76-1	A03U169700	5-6	A03U220400	100-12
65AA91020	113-8	A00J617800	16-14	A00V240600	77-20	A03U190500	9-18	A03U229900	100-6
65AA91060E	94-10	A00J617800	17-14	A00V240600	82-25	A03U190600	9-19	A03U259600	96-16
65AA91080E	10-16	A00J617800	18-14	A00V240600	83-37	A03U190700	9-16	A03U259600	97-16
65AA91090	37-2	A00J617800	19-14	A00V240600	89-14	A03U190802	9-5	A03U259600	98-16
65AA91100	25-18	A00J617800	34-3	A00V240600	94-8	A03U190900	8-8	A03U259600	99-16
65AA97340	32-24	A00J617800	36-24	A00V240600	100-7	A03U191100	9-7	A03U259900	96-18
65AA97440	47-5	A00J617800	40-34	A02E262300	104-7	A03U191201	9-8	A03U259900	97-18
65AA97450	47-6	A00J617800	41-21	A02E262300	108-27	A03U191300	9-9	A03U259900	98-18
65AA97460	47-7	A00J617800	79-3	A02E262300	111-16	A03U191400	8-11	A03U259900	99-18
65AA97470	47-8	A00J617800	84-9	A02EM50500	48-7	A03U191500	8-20	A03U260200	10-36
65AA99500	121-5	A00J617800	88-6	A02EM50500	104-17	A03U191600	8-5	A03U261200	13-7
65AAR70600	105-12	A00J617800	90-7	A03U102803	108-13	A03U191700	8-4	A03U266201	10-29

Parts No.	Page No.	Parts No.	Page No.	Parts No.	Page No.	Parts No.	Page No.	Parts No.	Page No.
A03U266300	11-28	A03U389600	21-16	A03U524100	50-24	A03U621400	68-7	A03U724500	39-23
A03U266400	12-2	A03U389600	22-16	A03U552900	35-3	A03U621700	62-19	A03U724800	39-24
A03U330203	16-1	A03U389600	23-16	A03U553000	35-6	A03U621700	65-19	A03U724901	43-8
A03U330203	17-1	A03U389900	20-9	A03U555400	35-5	A03U621700	68-20	A03U725000	45-10
A03U330203	18-1	A03U389900	21-9	A03U559400	35-21	A03U700100	72-14	A03U725201	45-24
A03U330203	19-1	A03U389900	22-9	A03U559500	35-23	A03U700202	72-22	A03U725300	39-19
A03U334600	16-3	A03U389900	23-9	A03U560100	54-15	A03U700400	73-19	A03U725500	42-9
A03U334600	17-3	A03U402100	25-16	A03U560100	57-15	A03U710600	71-16	A03U725600	40-17
A03U334600	18-3	A03U403300	30-20	A03U560100	60-15	A03U710700	71-9	A03U725700	38-10
A03U334600	19-3	A03U413900	24-15	A03U560200	54-6	A03U711600	71-7	A03U725800	40-36
A03U344200	47-1	A03U459900	31-13	A03U560200	57-6	A03U711700	71-6	A03U726100	40-26
A03U344300	47-10	A03U500400	34-19	A03U560200	60-6	A03U711902	71-5	A03U726500	38-11
A03U347200	48-1	A03U500800	36-4	A03U560300	54-19	A03U712000	71-1	A03U726711	41-9
A03U347300	48-2	A03U500900	34-18	A03U560300	57-19	A03U712100	71-13	A03U726900	39-9
A03U347400	48-3	A03U501200	36-27	A03U560300	60-19	A03U720100	45-11	A03U727200	39-22
A03U347801	47-11	A03U507100	34-15	A03U560500	54-21	A03U720201	45-9	A03U727300	39-21
A03U348900	47-9	A03U507100	36-22	A03U560500	57-21	A03U720300	44-12	A03U727500	44-4
A03U349500	47-2	A03U509700	34-11	A03U560500	60-21	A03U720800	41-7	A03U727700	39-15
A03U360100	103-11	A03U510200	34-12	A03U620400	61-13	A03U720900	41-11	A03U727900	45-15
A03U372100	20-11	A03U511200	34-25	A03U620400	64-16	A03U721000	39-25	A03U728000	42-14
A03U372100	21-11	A03U512000	36-17	A03U620400	67-14	A03U721201	43-29	A03U728100	41-4
A03U372100	22-11	A03U512200	36-14	A03U620503	6-4	A03U721400	39-20	A03U728200	38-1
A03U372100	23-11	A03U512300	36-15	A03U620600	6-3	A03U721700	44-8	A03U728300	78-8
A03U375701	20-22	A03U512400	36-13	A03U620702	62-18	A03U722001	41-6	A03U728600	44-5
A03U375701	21-22	A03U520201	50-23	A03U620702	65-17	A03U722200	43-10	A03U728700	44-7
A03U375701	22-22	A03U520301	50-19	A03U620702	68-19	A03U722300	40-10	A03U728800	44-2
A03U375701	23-22	A03U520600	50-5	A03U621000	61-33	A03U722400	40-14	A03U728900	40-7
A03U389200	20-10	A03U521600	50-10	A03U621000	64-33	A03U722500	42-12	A03U729001	45-3
A03U389200	21-10	A03U521700	50-14	A03U621000	67-32	A03U722700	44-10	A03U729101	45-19
A03U389200	22-10	A03U521800	50-12	A03U621100	61-5	A03U722902	45-22	A03U729200	45-8
A03U389200	23-10	A03U521900	50-11	A03U621100	64-5	A03U723301	41-3	A03U729500	45-4
A03U389301	20-15	A03U522001	79-12	A03U621100	67-5	A03U723400	43-3	A03U729700	45-14
A03U389301	21-14	A03U522100	79-8	A03U621200	62-5	A03U723600	43-36	A03U729800	45-30
A03U389301	22-14	A03U523400	50-16	A03U621200	65-5	A03U723700	43-2	A03U729901	41-5
A03U389301	23-14	A03U523501	50-15	A03U621200	68-5	A03U723800	43-35	A03U730100	43-17
A03U389400	20-6	A03U523600	50-9	A03U621300	62-12	A03U723900	41-18	A03U730200	43-26
A03U389400	21-6	A03U523700	50-13	A03U621300	65-12	A03U724000	41-22	A03U730500	38-18
A03U389400	22-6	A03U523801	50-17	A03U621300	68-12	A03U724101	43-31	A03U730600	43-5
A03U389400	23-6	A03U523900	50-21	A03U621400	62-7	A03U724200	39-10	A03U730701	43-7
A03U389600	20-16	A03U524000	79-11	A03U621400	65-7	A03U724400	40-22	A03U730800	39-2

Parts No.	Page No.	Parts No.	Page No.	Parts No.	Page No.	Parts No.	Page No.	Parts No.	Page No.
A03U730900	39-3	A03U735600	42-10	A03U812800	62-15	A03U840201	80-5	A03U845100	81-3
A03U731101	39-1	A03U735700	43-12	A03U812800	65-15	A03U840300	80-17	A03U845200	81-1
A03U731300	43-9	A03U736000	78-7	A03U812800	68-17	A03U840400	80-16	A03U845301	81-4
A03U731400	43-18	A03U807700	43-20	A03U812800	73-6	A03U840700	82-12	A03U845400	83-4
A03U731700	45-25	A03U807900	43-4	A03U812800	76-4	A03U840800	82-15	A03U845601	83-1
A03U731700	46-7	A03U808000	40-23	A03U812800	78-21	A03U840901	82-28	A03U845700	83-26
A03U731800	43-37	A03U808100	44-9	A03U812900	74-15	A03U841000	82-10	A03U845901	83-25
A03U731900	43-21	A03U808201	43-1	A03U813001	74-29	A03U841101	82-9	A03U846100	81-12
A03U732000	43-16	A03U808300	41-19	A03U813100	75-13	A03U841200	81-5	A03U846200	81-11
A03U732200	43-22	A03U808400	41-20	A03U813200	75-10	A03U841302	81-8	A03U846600	82-24
A03U732300	40-28	A03U808500	41-24	A03U813300	75-12	A03U841400	81-19	A03U846700	83-15
A03U732400	40-40	A03U808700	40-38	A03U813400	75-11	A03U841500	82-2	A03U846800	83-22
A03U732700	44-15	A03U808811	40-8	A03U813500	75-8	A03U841600	82-1	A03U846900	83-20
A03U732800	44-14	A03U809000	40-25	A03U813601	75-9	A03U841700	80-12	A03U847000	82-7
A03U732900	44-13	A03U809100	40-27	A03U813702	74-5	A03U841800	80-11	A03U847100	82-4
A03U733000	38-23	A03U809311	40-20	A03U813900	77-31	A03U841900	83-29	A03U847200	83-7
A03U733100	44-1	A03U809400	40-24	A03U814000	79-5	A03U842000	82-29	A03U847300	83-24
A03U733200	39-12	A03U809500	45-32	A03U814100	79-2	A03U842100	76-5	A03U848000	82-13
A03U733400	38-2	A03U809600	41-30	A03U814200	79-4	A03U842200	76-6	A03U848100	82-16
A03U733500	40-39	A03U809700	40-37	A03U814300	79-1	A03U842301	80-13	A03U848200	82-14
A03U733600	38-24	A03U810503	74-28	A03U814400	79-6	A03U842400	83-5	A03U848300	81-6
A03U733700	38-25	A03U810601	74-30	A03U814501	79-17	A03U842500	83-31	A03U848602	83-9
A03U734100	38-26	A03U810701	78-10	A03U814800	76-17	A03U842600	81-2	A03U848701	83-8
A03U734311	41-29	A03U810900	78-19	A03U814902	78-16	A03U842700	83-3	A03U848800	83-12
A03U734411	41-10	A03U811003	78-4	A03U815400	77-2	A03U842800	83-28	A03U848901	83-23
A03U734500	39-6	A03U811101	74-26	A03U815700	75-16	A03U842900	81-18	A03U849601	83-36
A03U734500	43-24	A03U811200	74-24	A03U815800	79-7	A03U843000	81-13	A03U849701	75-37
A03U734500	44-3	A03U811300	74-7	A03U815900	80-15	A03U843601	80-8	A03U849801	75-6
A03U734500	45-1	A03U811401	74-6	A03U816000	101-11	A03U843700	80-7	A03U850101	52-2
A03U734500	46-2	A03U811500	74-4	A03U817700	105-27	A03U843801	80-10	A03U850101	55-2
A03U734601	43-11	A03U812000	102-13	A03U838900	76-3	A03U843900	80-9	A03U850101	58-2
A03U734701	43-14	A03U812100	77-21	A03U839000	75-15	A03U844200	81-30	A03U850101	72-18
A03U734800	42-3	A03U812200	76-8	A03U839100	77-32	A03U844300	81-24	A03U850101	75-28
A03U734900	42-4	A03U812800	50-8	A03U839200	77-35	A03U844400	81-26	A03U850101	77-10
A03U735000	42-2	A03U812800	53-32	A03U839300	77-36	A03U844500	81-31	A03U850101	81-16
A03U735100	42-8	A03U812800	54-18	A03U839400	77-37	A03U844600	81-22	A03U850101	86-5
A03U735200	42-7	A03U812800	56-32	A03U839501	77-33	A03U844700	81-21	A03U850200	81-10
A03U735300	42-1	A03U812800	57-18	A03U839601	77-34	A03U844802	81-27	A03U850400	76-7
A03U735400	42-5	A03U812800	59-32	A03U839700	77-29	A03U844901	81-28	A03U850500	80-4
A03U735500	42-6	A03U812800	60-18	A03U840101	80-1	A03U845001	83-33	A03U850600	82-8

Parts No.	Page No.	Parts No.	Page No.	Parts No.	Page No.	Parts No.	Page No.	Parts No.	Page No.
A03U859400	82-20	A03U864100	88-23	A03U909800	84-8	A03UM11100	76-16	A03UN23300	41-14
A03U859500	82-23	A03U864200	86-14	A03U909900	84-17	A03UM11100	79-19	A03UN23600	102-10
A03U859600	83-16	A03U864300	86-15	A03U942601	32-25	A03UM11100	84-22	A03UPJG100	120-5
A03U859700	83-30	A03U889500	87-13	A03U944200	5-17	A03UM11100	89-6	A03UPJG200	120-3
A03U859800	83-14	A03U889600	87-15	A03U945300	61-7	A03UM15200	103-9	A03UPJG300	120-4
A03U859900	82-22	A03U889700	89-15	A03U945300	64-7	A03UM15300	38-3	A03UR70200	32-26
A03U860102	86-13	A03U889800	89-11	A03U945300	67-7	A03UM15800	101-5	A03X170201	6-6
A03U860201	87-6	A03U889900	79-18	A03U946500	7-30	A03UM15800	106-4	A03X565611	52-15
A03U860402	86-9	A03U889900	87-1	A03U946700	32-23	A03UM20100	76-12	A03X565611	55-16
A03U860500	88-22	A03U890100	85-22	A03UA29012	11-21	A03UM30101	12-1	A03X565611	58-16
A03U860600	88-13	A03U890200	84-28	A03UB50400	36-25	A03UM32A00	44-16	A03X622000	71-3
A03U860700	88-14	A03U890300	84-31	A03UF11200	109-6	A03UM32E00	44-16	A07TM60100	110-5
A03U860800	87-21	A03U890501	84-3	A03UF19100	9-11	A03UM32F00	44-16	A0E7946700	1-13
A03U860900	87-18	A03U890800	84-20	A03UF21200	96-14	A03UM40500	10-15	A0EDM10500	108-16
A03U861002	89-3	A03U890900	84-18	A03UF21200	97-14	A03UM50500	71-4	A0G6190101	7-13
A03U861100	87-16	A03U891400	85-20	A03UF21200	98-14	A03UN10800	43-33	A0G6190200	7-4
A03U861200	88-27	A03U891500	85-11	A03UF21200	99-14	A03UN11200	94-5	A0G6190301	7-27
A03U861300	86-3	A03U891600	85-17	A03UF36700	103-13	A03UN11200	100-16	A0G6190403	7-6
A03U861500	86-4	A03U891700	85-16	A03UF62100	61-16	A03UN13300	11-20	A0G6191600	7-19
A03U861600	86-8	A03U891800	85-13	A03UF62100	64-15	A03UN14700	74-23	A0G6192400	7-8
A03U861701	88-18	A03U891900	85-10	A03UF62100	67-16	A03UN15100	74-31	A0G6192500	7-9
A03U861800	87-17	A03U892000	85-14	A03UF74200	43-6	A03UN15200	41-16	A0G6192700	7-11
A03U861900	86-12	A03U892100	85-1	A03UF74300	43-15	A03UN15302	81-7	A0G6192900	7-12
A03U862000	86-24	A03U892200	85-3	A03UF74400	43-34	A03UN15401	71-24	A0G6193100	7-23
A03U862100	86-10	A03U892300	85-9	A03UF74500	43-19	A03UN15500	96-10	A0G6193200	7-22
A03U862300	88-25	A03U892400	85-8	A03UF77800	39-26	A03UN15500	97-10	A0G6193400	7-24
A03U862401	89-5	A03U892500	84-4	A03UF83600	78-33	A03UN15500	98-10	A0G6193500	7-17
A03U862500	88-26	A03U892600	84-5	A03UF84100	80-20	A03UN15500	99-10	A0G6193700	7-18
A03U862600	86-1	A03U892701	84-23	A03UF84300	80-14	A03UN17700	76-15	A0G6193800	7-20
A03U862700	87-7	A03U892800	84-25	A03UF84400	80-21	A03UN17801	74-16	A0G6193900	7-26
A03U862900	89-12	A03U892902	84-27	A03UF84500	81-25	A03UN18000	108-6	A0G6194000	7-25
A03U863000	89-13	A03U893000	84-14	A03UF85700	82-21	A03UN20300	74-1	A0G6194101	7-16
A03U863100	89-21	A03U893101	84-15	A03UF85800	82-17	A03UN21600	83-19	A0G6195000	7-28
A03U863200	89-17	A03U893200	84-16	A03UF85900	83-13	A03UN21701	84-21	A0G6205000	7-28
A03U863300	89-22	A03U893301	84-1	A03UF87100	86-17	A03UN21800	89-7	A0G6205100	7-28
A03U863400	89-20	A03U893400	84-2	A03UF88100	89-8	A03UN22400	106-6	A0G6205200	7-28
A03U863700	89-9	A03U893502	84-30	A03UF89200	84-7	A03UN23000	82-5	A0G6205300	7-28
A03U863801	86-19	A03U909502	84-13	A03UF90000	84-29	A03UN23101	86-2	A0G6243900	83-32
A03U863900	88-4	A03U909600	84-11	A03UH52002	110-7	A03UN23200	39-7	A0G6411200	5-15
A03U864001	86-20	A03U909701	84-10	A03UM10400	31-4	A03UN23200	45-20	A0G6H04000	7-15

Parts No.	Page No.	Parts No.	Page No.	Parts No.	Page No.	Parts No.	Page No.	Parts No.	Page No.
A0G6H06000	7-1	A1DU110800	108-11	A1DU160500	3-7	A1DU210100	90-5	A1DU380100	21-2
A0G6M35200	7-3	A1DU110900	104-23	A1DU160501	3-7	A1DU210100	91-5	A1DU380100	22-2
A0G6M60400	110-4	A1DU111000	104-21	A1DU160600	3-28	A1DU210100	92-5	A1DU380100	23-2
A0G6M75400	7-7	A1DU111100	101-1	A1DU160801	4-1	A1DU210100	93-5	A1DU380300	20-5
A0G6M75501	7-10	A1DU111100	106-9	A1DU161301	2-15	A1DU210200	90-8	A1DU380300	21-5
A0G6M93100	8-15	A1DU111801	108-5	A1DU161302	2-15	A1DU210200	91-8	A1DU380300	22-5
A0G6N18101	7-5	A1DU111900	105-17	A1DU161401	2-4	A1DU210200	92-8	A1DU380300	23-5
A0G6N18400	7-14	A1DU112200	108-17	A1DU161500	2-6	A1DU210200	93-8	A1DU389101	20-4
A0P0M10000	70-11	A1DU112700	107-21	A1DU161601	2-3	A1DU210401	90-9	A1DU389101	21-4
A0R5M10300	30-3	A1DU112802	106-10	A1DU161602	2-3	A1DU210401	91-9	A1DU389101	22-4
A0R5M10300	100-15	A1DU114000	101-16	A1DU161700	11-5	A1DU210401	92-9	A1DU389101	23-4
A0U0174000	6-1	A1DU115400	102-9	A1DU161900	2-8	A1DU210401	93-9	A1DU389501	20-14
A0U0178700	6-9	A1DU115500	108-9	A1DU162400	2-7	A1DU229600	100-14	A1DU389501	21-15
A0U0178800	6-5	A1DU115600	2-11	A1DU163200	3-29	A1DU229700	100-10	A1DU389501	22-15
A0U0179100	6-10	A1DU115700	108-26	A1DU163300	2-10	A1DU229800	100-11	A1DU389501	23-15
A0U0179601	6-12	A1DU115800	107-8	A1DU163402	2-9	A1DU331200	16-10	A1DU389702	20-13
A0U0179800	6-8	A1DU118200	104-8	A1DU163500	1-10	A1DU331200	17-10	A1DU389702	21-13
A0U0945401	6-7	A1DU118500	107-6	A1DU163601	3-18	A1DU331200	18-10	A1DU389702	22-13
A0U0945501	6-11	A1DU123001	1-2	A1DU163700	2-13	A1DU331200	19-10	A1DU389702	23-13
A0U0945601	6-13	A1DU125000	104-15	A1DU163800	2-12	A1DU332500	16-5	A1DU389800	20-12
A0VT814900	31-7	A1DU130100	111-3	A1DU163900	2-14	A1DU332500	17-5	A1DU389800	21-12
A0Y5M15100	105-18	A1DU130301	107-12	A1DU164000	4-4	A1DU332500	18-5	A1DU389800	22-12
A0Y5M55100	82-3	A1DU130601	110-8	A1DU164101	3-2	A1DU332500	19-5	A1DU389800	23-12
A1DU101000	104-10	A1DU131102	111-5	A1DU164200	11-11	A1DU335100	16-11	A1DU400100	25-4
A1DU104000	105-26	A1DU131301	111-15	A1DU164400	3-35	A1DU335100	17-11	A1DU401300	25-2
A1DU104100	105-24	A1DU131401	108-37	A1DU164600	11-10	A1DU335100	18-11	A1DU401700	31-3
A1DU105300	105-7	A1DU131700	108-34	A1DU165000	2-5	A1DU335100	19-11	A1DU401800	26-15
A1DU105600	108-18	A1DU132002	111-6	A1DU165600	3-23	A1DU335200	16-6	A1DU401800	27-15
A1DU105901	108-10	A1DU132800	111-8	A1DU166200	1-11	A1DU335200	17-6	A1DU402600	25-14
A1DU106800	105-6	A1DU132901	111-12	A1DU166300	4-3	A1DU335200	18-6	A1DU402700	30-8
A1DU107301	104-14	A1DU133100	111-9	A1DU166500	4-7	A1DU335200	19-6	A1DU403500	31-17
A1DU107600	104-4	A1DU135001	111-1	A1DU169000	107-10	A1DU372500	20-8	A1DU404100	31-16
A1DU107800	104-22	A1DU135200	111-7	A1DU169100	107-4	A1DU372500	21-8	A1DU404101	31-16
A1DU108300	104-20	A1DU135301	111-21	A1DU169400	3-22	A1DU372500	22-8	A1DU404200	25-11
A1DU108500	106-1	A1DU135600	108-38	A1DU169500	3-20	A1DU372500	23-8	A1DU404500	31-18
A1DU109100	106-13	A1DU135700	108-32	A1DU169600	3-21	A1DU372700	20-7	A1DU406000	30-10
A1DU109200	106-15	A1DU135901	110-2	A1DU190101	9-12	A1DU372700	21-7	A1DU406701	25-13
A1DU109301	104-11	A1DU136401	110-6	A1DU194200	9-15	A1DU372700	22-7	A1DU406800	25-12
A1DU110000	104-9	A1DU160102	5-16	A1DU194300	9-1	A1DU372700	23-7	A1DU409600	26-26
A1DU110301	106-11	A1DU160403	3-13	A1DU197100	8-22	A1DU380100	20-2	A1DU409600	27-26



Parts No.	Page No.	Parts No.	Page No.	Parts No.	Page No.	Parts No.	Page No.	Parts No.	Page No.
A1DU409600	28-26	A1DU736300	38-20	A1DU944700	24-18	A1DUN10102	114-2	A1DUN19801	106-17
A1DU409600	29-27	A1DU736400	38-21	A1DU944800	24-17	A1DUN10400	45-27	A1DUN19900	107-7
A1DU409800	30-18	A1DU736500	38-19	A1DU944900	3-3	A1DUN10502	39-18	A1DUN21300	110-9
A1DU413702	26-30	A1DU736600	46-9	A1DU945000	3-4	A1DUN10602	39-14	A1DUN22000	74-17
A1DU413702	27-30	A1DU736701	46-11	A1DU945100	3-5	A1DUN10700	45-28	A1DUN22700	117-1
A1DU413702	28-30	A1DU736800	39-16	A1DU945900	1-12	A1DUN11000	109-9	A1DUN27600	116-2
A1DU413702	29-31	A1DU737000	46-10	A1DU946300	122-10	A1DUN11100	47-14	A1DUN28100	8-14
A1DU413800	31-20	A1DU737100	46-8	A1DU949000	42-19	A1DUN11300	115-1	A1DUN28200	8-17
A1DU414200	26-34	A1DU760100	46-12	A1DUF25000	100-4	A1DUN11400	20-20	A1DUN28300	8-23
A1DU414200	27-34	A1DU760200	46-3	A1DUF40100	30-5	A1DUN11400	21-20	A1DUN29001	9-14
A1DU420200	31-12	A1DU762300	42-15	A1DUF62100	61-18	A1DUN11400	22-20	A1DUN29200	108-33
A1DU420300	31-11	A1DU762401	42-17	A1DUF62100	62-6	A1DUN11400	23-20	A1DUP72100	45-9
A1DU420400	31-8	A1DU762500	42-18	A1DUF62100	64-18	A1DUN11802	108-19	A1DUPJG100	120-12
A1DU420500	31-15	A1DU762600	42-16	A1DUF62100	65-6	A1DUN13002	113-1	A1DUR70100	109-5
A1DU420600	31-9	A1DU763501	46-13	A1DUF62100	67-18	A1DUN13900	115-2	A1DUR70200	106-8
A1DU420700	31-10	A1DU763800	46-1	A1DUF62100	68-6	A1DUN14000	104-13	A1DUR70300	105-25
A1DU504203	34-24	A1DU763900	46-4	A1DUF76100	45-7	A1DUN14201	29-23	A1DUR70422	113-3
A1DU512100	36-18	A1DU764000	106-12	A1DUH01002	111-14	A1DUN14300	24-13	A1DUR70500	4-2
A1DU519900	36-16	A1DU808600	45-6	A1DUH02002	111-4	A1DUN14400	31-5	A1DUR70600	4-8
A1DU550200	35-13	A1DU808900	40-35	A1DUH05003	111-2	A1DUN14500	25-21	A1DUR70700	122-4
A1DU559300	36-3	A1DU815000	78-6	A1DUH06011	108-36	A1DUN14600	30-2	A1DUR70800	1-6
A1DU622200	70-2	A1DU817000	75-2	A1DUH11000	9-13	A1DUN14700	25-20	A1DUR70900	1-1
A1DU622200	109-8	A1DU817100	75-3	A1DUH25000	74-32	A1DUN14801	74-33	A1DUR70A00	1-5
A1DU629500	62-1	A1DU817200	78-3	A1DUM10100	40-30	A1DUN14901	75-39	A1DUR70B00	1-9
A1DU629500	65-1	A1DU817300	75-18	A1DUM10200	94-4	A1DUN14F00	110-14	A1DUR70C00	1-4
A1DU629500	68-1	A1DU817500	75-38	A1DUM15100	106-16	A1DUN15001	38-17	A1DUR70D00	1-3
A1DU720401	38-6	A1DU817600	74-22	A1DUM30700	47-13	A1DUN15A00	110-12	A1DUR70E00	4-9
A1DU721101	39-13	A1DU845100	82-32	A1DUM31A00	45-34	A1DUN16F00	110-12	A1DUR70F11	7-29
A1DU721300	46-6	A1DU845200	82-35	A1DUM31E00	45-34	A1DUN17000	37-5	A1DUR70G11	7-29
A1DU722811	39-17	A1DU894000	85-5	A1DUM31F00	45-34	A1DUN17500	85-21	A1DUR70H00	7-29
A1DU724300	45-33	A1DU942700	77-15	A1DUM40101	107-14	A1DUN17601	114-1	A1DUR70J00	96-1
A1DU725100	45-18	A1DU942900	78-5	A1DUM40201	107-13	A1DUN17900	94-11	A1DUR70K00	98-1
A1DU726601	38-7	A1DU943000	5-4	A1DUM40301	112-4	A1DUN18300	95-14	A1DUR70K00	96-11
A1DU727002	46-5	A1DU943100	2-2	A1DUM40401	113-13	A1DUN18400	75-27	A1DUR70K00	97-11
A1DU727600	42-13	A1DU943800	81-29	A1DUM50800	20-18	A1DUN18700	113-9	A1DUR70K00	98-11
A1DU727800	38-22	A1DU943900	82-11	A1DUM50800	21-18	A1DUN18900	74-2	A1DUR70K00	99-11
A1DU731200	40-3	A1DU944300	5-2	A1DUM50800	22-18	A1DUN19000	113-10	A1DUR70M00	96-4
A1DU736000	45-12	A1DU944400	49-13	A1DUM50800	23-18	A1DUN19401	70-3	A1DUR70M00	97-4
A1DU736100	38-16	A1DU944500	24-20	A1DUM70001	110-13	A1DUN19502	116-1	A1DUR70M00	98-4
A1DU736200	38-15	A1DU944600	24-19	A1DUM70101	110-15	A1DUN19600	108-15	A1DUR70M00	99-4

Parts No.	Page No.
A1DUR70N00	97-1
A1DUR70N00	99-1
A1DUR70Q00	11-2
A1DUR70R00	11-4
A1DUR70S00	11-3
A1DUR70T00	12-8
A1DUR70U00	14-1
A1DUR70V00	32-36
A1DUR70W00	32-26
A1DUR70X66	20-21
A1DUR70X66	21-21
A1DUR70Y00	25-7
A1DUR71000	24-2
A1DUR71111	24-12
A1DUR71200	24-9
A1DUR71300	15-1
A1DUR71444	33-7
A1DUR71500	37-1
A1DUR71600	37-4
A1DUR71700	24-6
A1DUR71800	34-32
A1DUR71900	34-30
A1DUR71A00	50-1
A1DUR71B00	35-1
A1DUR71C00	35-17
A1DUR71D00	35-18
A1DUR71E00	35-20
A1DUR71G00	35-16
A1DUR71H00	52-1
A1DUR71H00	55-1
A1DUR71H00	58-1
A1DUR71J00	54-2
A1DUR71J00	57-2
A1DUR71J00	60-2
A1DUR71K00	52-4
A1DUR71K00	55-4
A1DUR71K00	58-4
A1DUR71M00	53-2
A1DUR71M00	56-2
A1DUR71M00	59-2

Parts No.	Page No.
A1DUR71N00	61-34
A1DUR71N00	64-34
A1DUR71N00	67-34
A1DUR71P00	61-30
A1DUR71P00	64-30
A1DUR71P00	67-29
A1DUR71Q00	72-15
A1DUR71R00	72-8
A1DUR71S00	71-2
A1DUR71T22	38-28
A1DUR71U22	38-28
A1DUR71V22	38-28
A1DUR71W00	43-23
A1DUR71X00	45-13
A1DUR71Y00	45-16
A1DUR72000	45-23
A1DUR72100	38-12
A1DUR72200	86-18
A1DUR72300	88-5
A1DUR72400	102-11
A1DUR72500	95-9
A1DUR72600	109-4
A1DUR72700	109-2
A1DUR72800	32-12
A1DUR72900	32-37
A1DUR72A00	32-40
A1DUR72B00	32-39
A1DUR72C00	109-3
A1DUR72D00	110-16
A1DUR72E00	110-16
A1DUR72F00	110-16
A1DUR72G00	96-12
A1DUR72G00	97-12
A1DUR72G00	98-12
A1DUR72G00	99-12
A1DUR72H00	94-9
A1DUR72J00	51-9
A1DUR72K00	51-5
A1DUR72M00	10-7
A1DUR72N00	10-22

Parts No.	Page No.
A1DUR72P00	12-9
A1DUR72Q00	16-12
A1DUR72Q00	17-12
A1DUR72Q00	18-12
A1DUR72Q00	19-12
A1DUR72R00	32-32
A1DUR72S33	23-21
A1DUR72T00	26-17
A1DUR72T00	27-17
A1DUR72U00	28-17
A1DUR72U00	29-17
A1DUR72V00	26-1
A1DUR72W00	27-1
A1DUR72X00	28-1
A1DUR72Y00	29-1
A1DUR73000	26-19
A1DUR73000	27-19
A1DUR73000	28-19
A1DUR73000	29-20
A1DUR73100	33-2
A1DUR73200	33-1
A1DUR73300	34-29
A1DUR73400	33-4
A1DUR73500	34-27
A1DUR73600	50-22
A1DUR73700	50-25
A1DUR73811	50-2
A1DUR73900	50-3
A1DUR73A00	71-18
A1DUR73B00	71-11
A1DUR73C00	75-14
A1DUR73D00	82-33
A1DUR73E00	83-2
A1DUR73F00	104-1
A1DUR73G00	96-3
A1DUR73G00	97-3
A1DUR73G00	98-3
A1DUR73H00	99-3
A1DUR73J00	24-3
A1DUR73K00	77-16

Parts No.	Page No.
A1DUR73M00	78-25
A1DUR73N00	78-34
A1DUR73P00	83-27
A1DUR73Q00	81-15
A1DUR73R00	81-14
A1DUR73S00	101-6
A1DUR73T00	103-10
A1DUR73U00	3-17
A1DUR73V00	105-13
A1DUR73W00	104-2
A1DUR73X00	90-2
A1DUR73X00	91-2
A1DUR73X00	92-2
A1DUR73X00	93-2
A1DUR74000	10-3
A1DUR74100	49-3
A1DUR74200	49-6
A1DUR74400	36-11
A1DUR74600	62-10
A1DUR74600	65-10
A1DUR74600	68-10
A1DUR74700	40-32
A1DUR74800	78-37
A1DUR74900	75-4
A1DUR74B11	24-24
A1DUR74C11	24-24
A1DUR74D11	24-24
A1DUR74E00	49-10
A1DUR74F11	7-29
A1DUR74G11	110-16
A1DUR74H00	43-13
A1DUR74J00	2-16
A1DUR74K44	22-21
A1DUR74N00	84-32
A1DUR74P11	7-29
A1DUR74Q11	7-29
A1DUR74R00	7-29
A1DUR74S00	51-27
A1DUR74U00	40-41
A1DUR74W00	94-1

Parts No.	Page No.
A1DUR74X00	26-33
A1DUR74Y00	27-33
A1DUR75000	28-33
A1DUR75100	29-34
A1DUR75300	7-38
A1DUR75400	7-38
A1DUR75500	7-38
A1DURX0100	121-6
A1DV947000	3-34
A1DV947100	3-34
A1DV947200	24-20
A1DV947300	24-19
A1DV947400	24-18
A1DV947500	24-17
A1DVN10902	109-10
A1DVR70100	24-24
A1DVR70200	24-24
A1RF168800	2-1
A1RF408201	26-25
A1RF408201	27-25
A1RF408201	28-25
A1RF408201	29-26
A1RF517300	34-13
A1RF517300	84-6
A1RF529300	50-6
A1RF620301	52-23
A1RF620301	55-23
A1RF620301	58-23
A1RF820000	40-1
A1RF846400	82-27
A1RF846400	89-2
A1RF855601	82-34
A1RF942600	104-12
A1RF942900	3-14
A1RF943100	78-2
A1RF943200	75-24
A1RF943300	77-8
A1RF943400	38-4
A1RF943500	88-9
A1RF943600	41-1

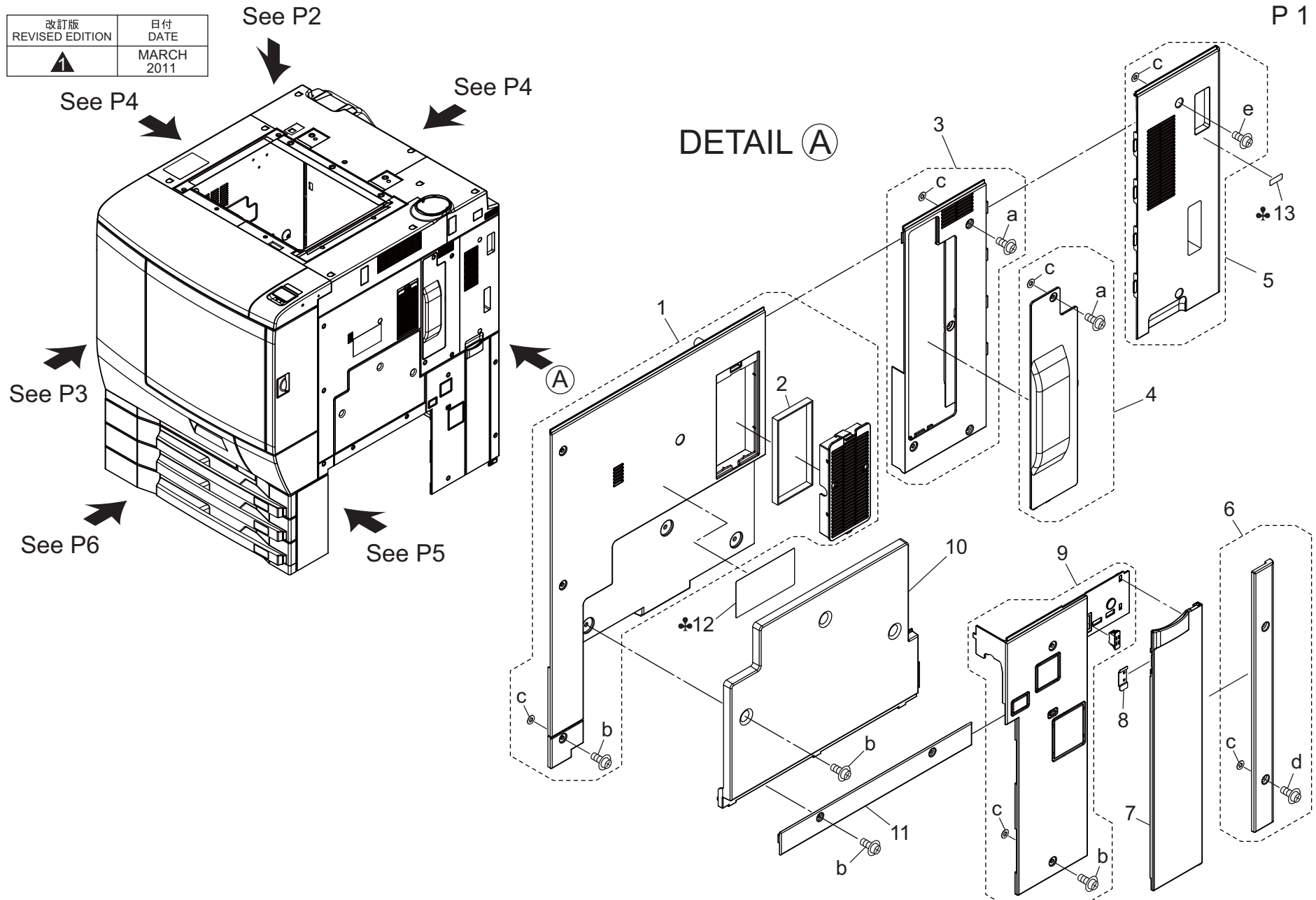
Parts No.	Page No.
A1RF943700	88-31
A1RF944000	83-35
A1RF944100	82-31
A1RF944200	6-2
A1RF945100	16-2
A1RF945100	17-2
A1RF945100	18-2
A1RF945100	19-2
A1RF945501	20-3
A1RF945501	21-3
A1RF945501	22-3
A1RF945501	23-3
A1RF945501	33-8
A1RF945501	38-27
A1RF945501	122-9
A1RF946000	63-11
A1RF946000	66-11
A1RF946000	69-11
A1RFM15100	108-35
A1RFM15100	111-13
A1RFM51000	39-4
A1RFM51000	41-12
A1RFM90300	4-5
A1RFN26000	53-1
A1RFN26000	56-1
A1RFN26000	59-1
A1RFN28300	7-35
A1RHN10400	108-2
A1RJ817200	83-10
A1UD723500	45-5
A4EU190412	7-36
A4EU194100	7-37
A4EU194200	7-32
A4EUH04001	7-33
A4EUM75400	7-34
A4EUN18100	7-31
A50U413700	26-30
A50U413700	27-30
A50U761500	42-11
SP00-0032	45-26

Parts No.	Page No.
SP00-0181	43-32
V500010003	118-1
V500010005	118-2
V500010007	118-3
V500010008	118-4
V500010015	118-5
V500010020	118-6
V500010021	118-7
V500010029	118-8
V500010030	118-9
V500010032	118-10
V500010034	118-11
V500010046	118-12
V500010050	119-7
V500010051	118-13
V500010057	118-14
V500010072	118-15
V500010075	118-16
V500020001	118-17
V500020023	118-18
V500020033	118-19
V500020035	118-20
V500020050	118-21
V500020053	118-22
V500020054	118-23
V500020085	118-25
V501010002	118-26
V501010004	118-27
V501010006	118-28
V501010009	118-29
V501010010	118-30
V501010011	118-31
V501010018	118-32
V501010020	118-33
V502010014	94-3
V502010015	40-29
V502010015	51-25
V502010019	10-14
V502010032	110-10
V502010033	110-11

Parts No.	Page No.
V502010044	30-4
V502010047	10-21
V570010021	118-34
V570010023	118-35
V570010038	118-36
V570010039	118-37
V570010040	118-38
V570010047	118-39
V570010050	118-40
V570010057	119-1
V570010058	119-2
V570010059	119-3
V570010060	119-4
V570010063	119-5
V570010064	41-15
V570010065	41-17
V590040002	122-6
V651010003	119-6
V651010005	118-24

# EXTERNAL PARTS

改訂版 REVISED EDITION	日付 DATE
	MARCH 2011




bizhub PRESS C6000/bizhub PRO C6000L

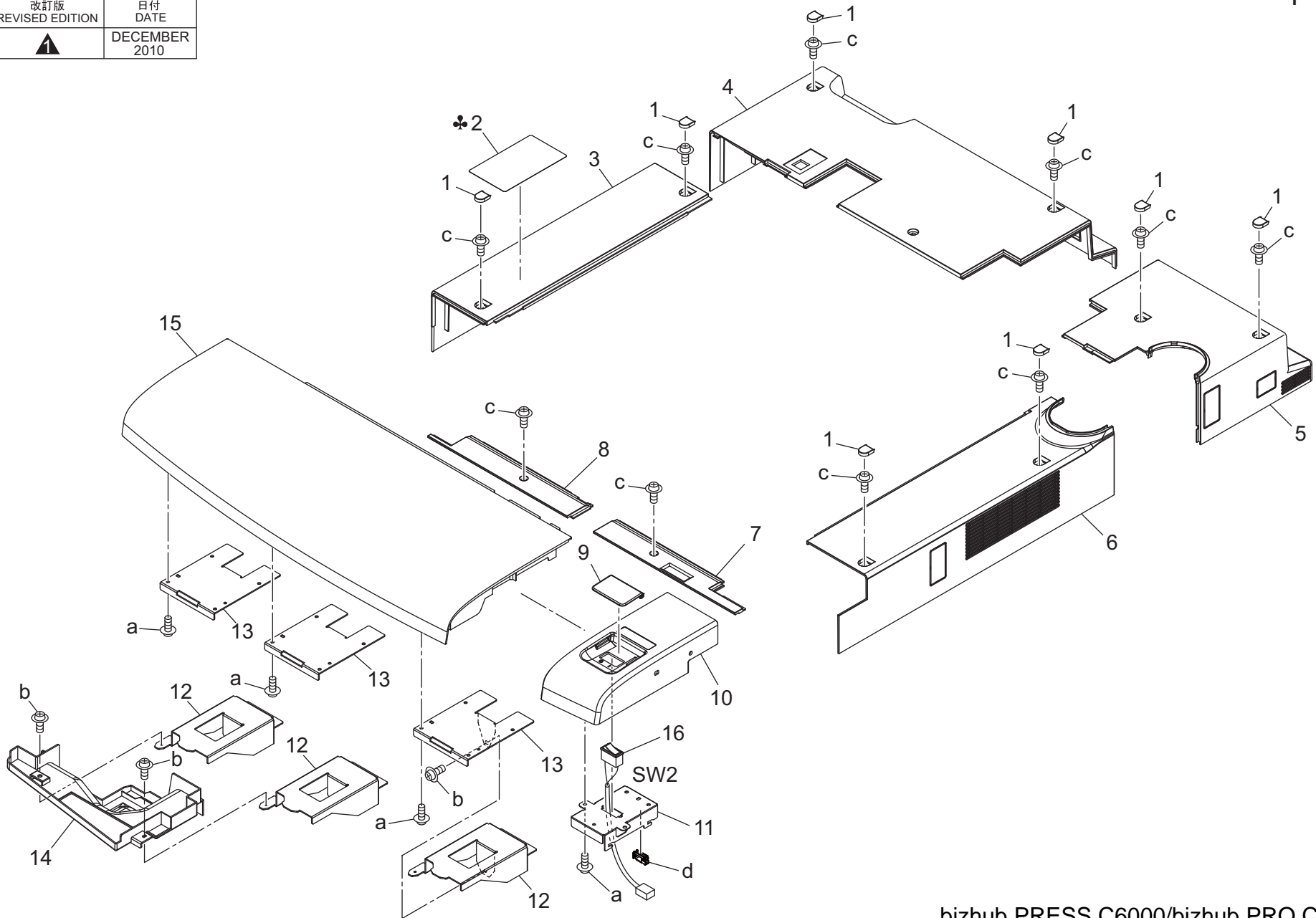
# EXTERNAL PARTS

Key	Part No.	Description	Destinations	Class	QTY	Standard parts
1	A1DUR70900	Side Cover /1Assy		B	1	a-V114040804 b-V114041004 c-V211040080 d-V114041204 e-V114041404
2	A1DU123001	Cooling Filter /Right		A	1	
3	A1DUR70D00	Cover Part /2 Assy		D	1	
4	A1DUR70C00	Suction Cover Assy		D	1	
5	A1DUR70A00	Side Cover /2Assy		C	1	
6	A1DUR70800	Cover Part/4Assy		D	1	
7	A03U161000	Collection Door		C	1	
8	65AA12270D	Magnet Catch		D	1	
9	A1DUR70B00	Side Cover /3Assy		C	1	
10	A1DU163500	Bypass Cover		D	1	
11	A1DU166200	Protection Cover		D	1	
12	A1DU945900	Paper feed Label /3	B, G2	D	1	
13	A0E7946700	Caution Label	H	C	1	

bizhub PRESS C6000/bizhub PRO C6000L

# EXTERNAL PARTS

改訂版 REVISED EDITION	日付 DATE
	DECEMBER 2010



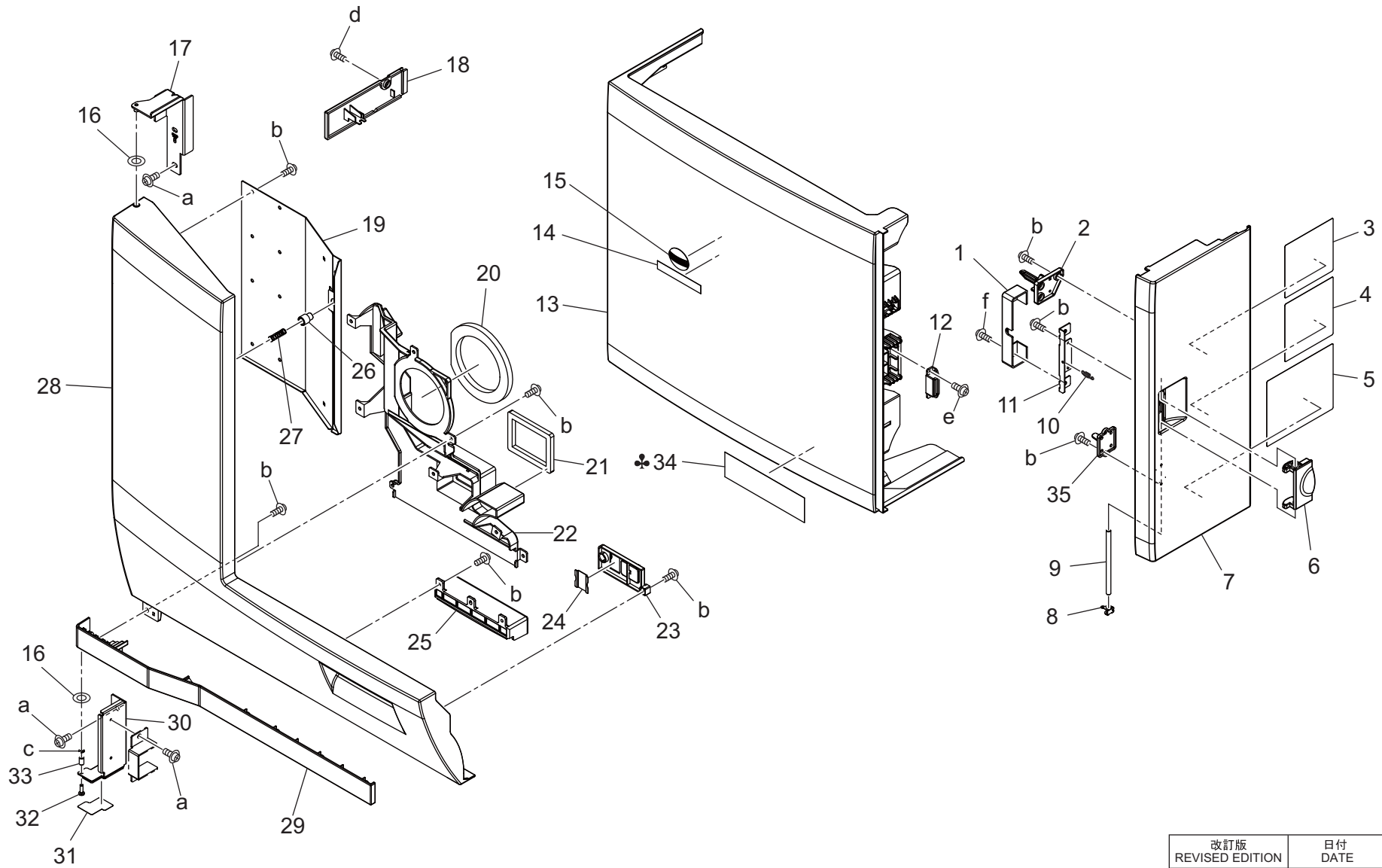
bizhub PRESS C6000/bizhub PRO C6000L

# EXTERNAL PARTS

Key	Part No.	Description	Destinations	Class	QTY	Standard parts
1	A1RF168800	Click Cover		D	8	a-V158030803 b-V121040603 c-V114040604 d-V570010057
2	A1DU943100	Caution Label /6	A	D	1	
3	A1DU161601Old	Read Cover /Left		D	1	
3	A1DU161602	Read Cover /Left		D	1	
4	A1DU161401	Read Cover /Rear		D	1	
5	A1DU165000	Read Cover /Right rear		D	1	
6	A1DU161500	Read Cover /Right		D	1	
7	A1DU162400	Read Cover /Right front		D	1	
8	A1DU161900	Read Cover /Left front		D	1	
9	A1DU163402	Protection Cover		D	1	
10	A1DU163300	Cover /Right		D	1	
11	A1DU115600	Fixing Plate /S		D	1	
12	A1DU163800	Hold Stay /Left		D	3	
13	A1DU163700	Mounting Plate /Upper		D	3	
14	A1DU163900	Mounting Cover /Lower		D	1	
15	A1DU161301Old	Cover /Upper		D	1	
15	A1DU161302	Cover /Upper		D	1	
16	A1DUR74J00	SWITCH/S ASSY		D	1	

bizhub PRESS C6000/bizhub PRO C6000L

# EXTERNAL PARTS



改訂版 REVISED EDITION	日付 DATE
	AUGUST 2011

bizhub PRESS C6000/bizhub PRO C6000L

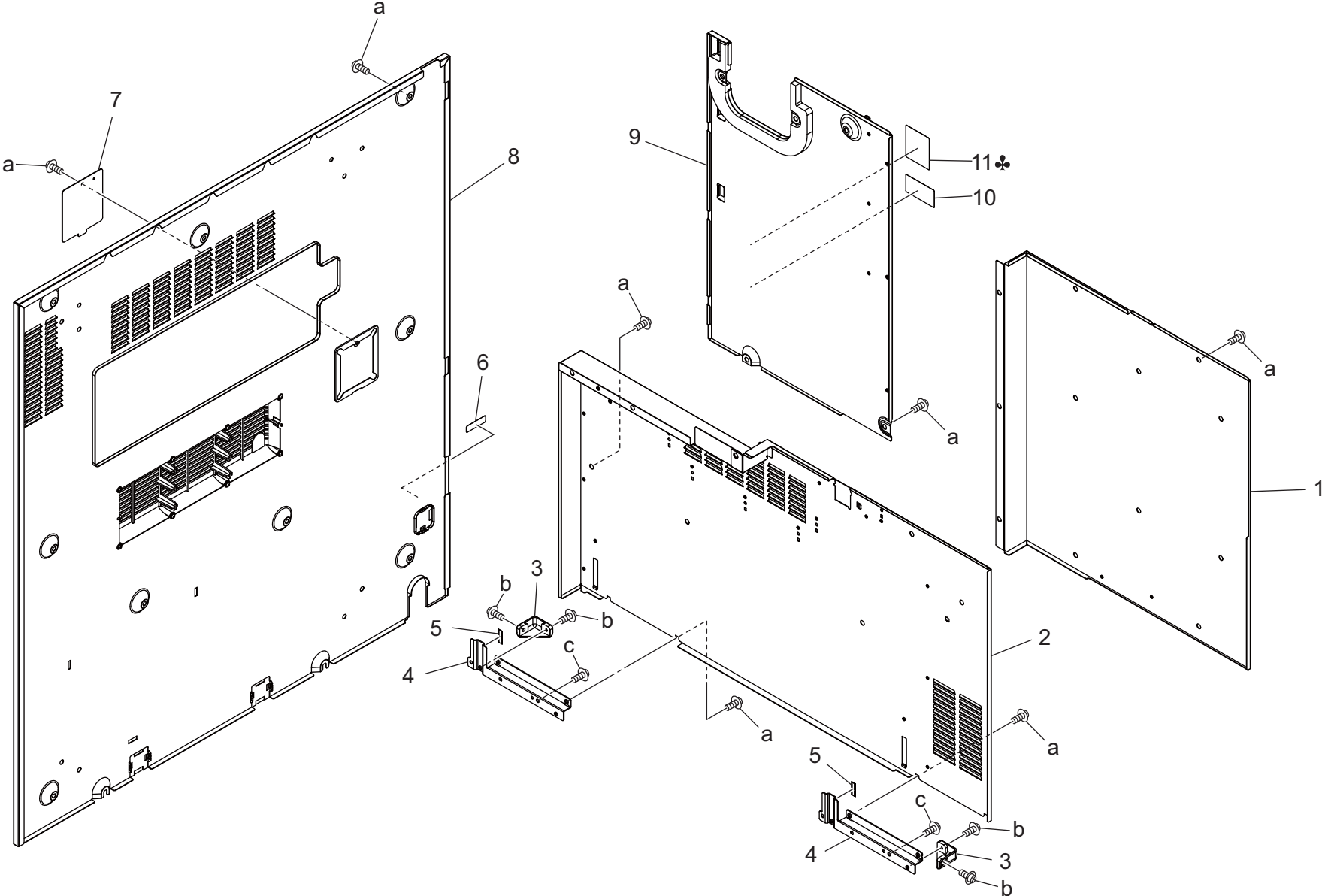


## EXTERNAL PARTS

Key	Part No.	Description	Destinations	Class	QTY	Standard parts
1	65AA12630	FULCRUM COVER		C	1	a-V121040603 b-V158030804 c-V217020050 d-V114041004 e-V145030804 f-V121030604
2	A1DU164101	Detecting Part	支点カバー 検出部材	D	1	
3	A1DU944900	Toner supply Label /1	トナー補給ラベル / 1	D	1	
4	A1DU945000	Toner supply Label /2	トナー補給ラベル / 2	D	1	
5	A1DU945100	Toner supply Label /3	トナー補給ラベル / 3	D	1	
6	A03U166000	Toner supply Handle	トナー補給 把手	C	1	
7	A1DU160500Old	Toner supply Cover /Right	トナー補給カバー / 右	D	1	
7	A1DU160501	Toner Supply Cover /Right	トナー補給カバー / 右	D	1	
8	65AA12620D	Open/shut Plate	開閉板	D	1	
9	65AA12610	Fulcrum Shaft	支点軸	D	1	
10	65AA12640	OPEN SHUT SPRING	開閉バネ	C	1	
11	65AA12280	MAGNET STOPPER PLATE A	マグネットストッパー板	D	1	
12	07BA12352	Magnet Catch	マグネットキャッチ	C	1	
13	A1DU160403	Toner supply Cover /Front	トナー補給カバー / 前	D	1	
14	A1RF942900	Indicating Plate	表示プレート	D	1	
15	A03U168500	Indicating Plate	表示プレート	C	1	
16	40AA32320	TONER SUPPLY SPACER	トナー補給スペーサー	C	2	
17	A1DUR73U00	Main Body Hinge/2 Caulking	本体ヒンジ / 2 カシメ	D	1	
18	A1DU163601	Cover /Left front	カバー / 左前	D	1	
19	A03U167800	Front door Reinforce Plate	前扉補強板	D	1	
20	A1DU169500	Cooling Pad /1	冷却パッド / 1	D	1	
21	A1DU169600	Cooling Pad /2	冷却パッド / 2	D	1	
22	A1DU169400	Cooling Duct /Front	冷却ダクト / 前	D	1	
23	A1DU165600	Lock Cover	ロックカバー	D	1	
24	56AA12241	EXTERNAL LOCK PLATE	外装ロック板	D	1	
25	A03U165801	FRONT DOOR AUXILIARY COVER	前扉補助カバー	C	1	
26	65AA12790E	Front door Guide Pin	前扉ガイドピン	D	1	
27	65AA12800	SHAFT PRESSING SPRING	軸押圧バネ	C	1	
28	A1DU160600	Cover /Left	カバー / 左	D	1	
29	A1DU163200	Door /Lower	扉 / 下	D	1	
30	A03U162001	Main body Cover Hinge /1	本体カバーヒンジ / 1	D	1	
31	A03U168600	Cassette Protection Sheet	カセット保護シート	C	1	
32	65AA12821	HINGE SHAFT/3	ヒンジ 軸 / 3	D	1	
33	65AA12830	GUIDE COLLAR	ガイドカラー	C	1	
34	A1DV947000	Indicating Label C6000	表示ラベル C 6 0 0 0	(C6000) D	1	
34	A1DV947100	Indicating Label C6000L	表示ラベル C 6 0 0 0 L	(C6000L) D	1	
35	A1DU164400	Actuator	アクチュエータ (指定色)	D	1	

bizhub PRESS C6000/bizhub PRO C6000L

EXTERNAL PARTS

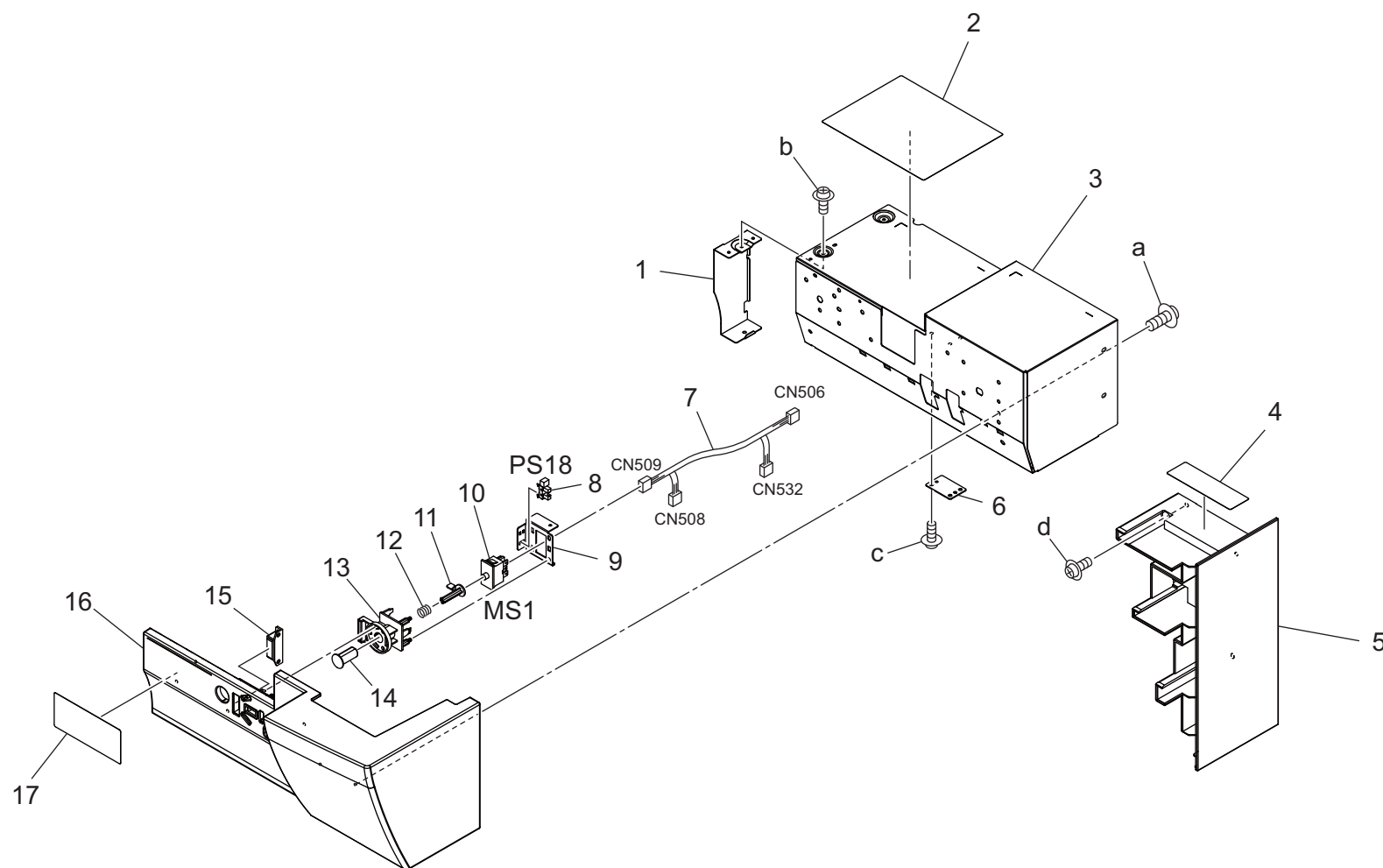


bizhub PRESS C6000/bizhub PRO C6000L

EXTERNAL PARTS

Key	Part No.	Description	Destinations	Class	QTY	Standard parts
1	A1DU160801	Protection Cover /2		D	1	a-V114040604 b-V121030604 c-V121040603
2	A1DUR70500	Rear Cover		D	1	
3	A1DU166300	Protection Part		D	2	
4	A1DU164000	Mounting Plate		D	2	
5	A1RFM90300	Gasket /3		D	2	
6	A00J945400	Label Dehumidifier SW.		C	1	
7	A1DU166500	Protection Cover /Left		D	1	
8	A1DUR70600	Eject Cover Assy		D	1	
9	A1DUR70E00	Rear Cover/1Assy		D	1	
10	56UA97310E	LASER INDICATING LABEL		D	1	
11	56UA97320E	CAUTION LABEL/A	C	D	1	

bizhub PRESS C6000/bizhub PRO C6000L



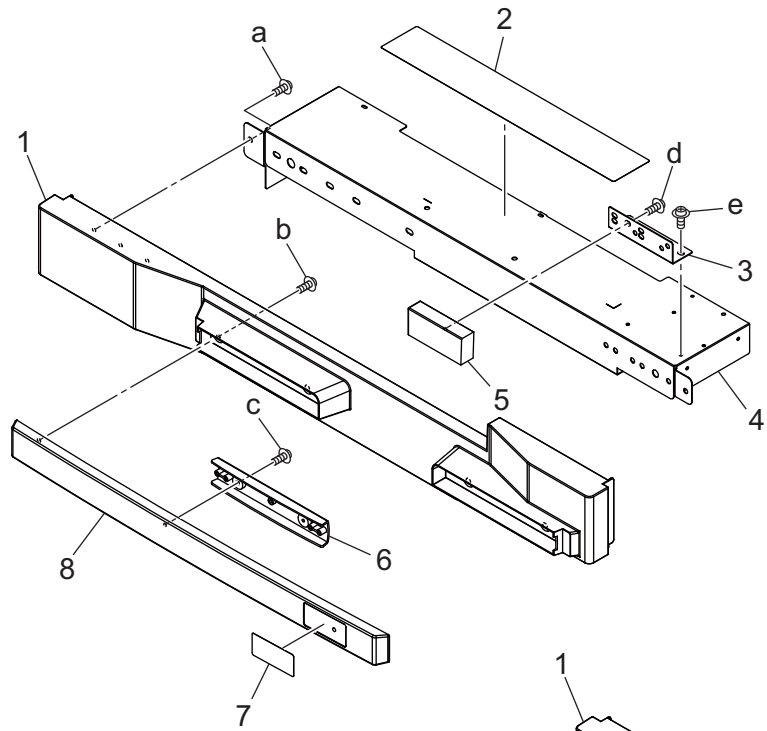
bizhub PRESS C6000/bizhub PRO C6000L

# EXTERNAL PARTS

Key	Part No.	Description	Destinations	Class	QTY	Standard parts
1	65AA12570D	Side Mounting Plate /2		D	1	a-V158030803 b-V121030603 c-V121030403 d-V114040604
2	A1DU944300	Processing Label /2		D	1	
3	65AA12021F	ADU Cover /U		D	1	
4	A1DU943000	Caution Label		D	1	
5	A03U163011	Paper Feed Cover /Right		C	1	
6	A03U169700	Cover Plate		D	1	
7	65AA90691E	Interlock Wiring		D	1	
8	08AA85512	Photo Sensor		B	1	
9	56AA12130	SWITCH FIXING PLATE		D	1	
10	40AA85011	Door Switch		B	1	
11	56AA12150	SWITCH PRESSING ACTUATOR		C	1	
12	56AA12160	CONTACT PRESSING SPRING 1		C	1	
13	56AA12120	Switch Guide Part		C	1	
14	56AA12140	SWITCH CONNECTING ACTUATOR		C	1	
15	A0G6411200	Magnet /X		D	1	
16	A1DU160102	Cover /Right front		D	1	
17	A03U944200	Processing Label /1		C	1	

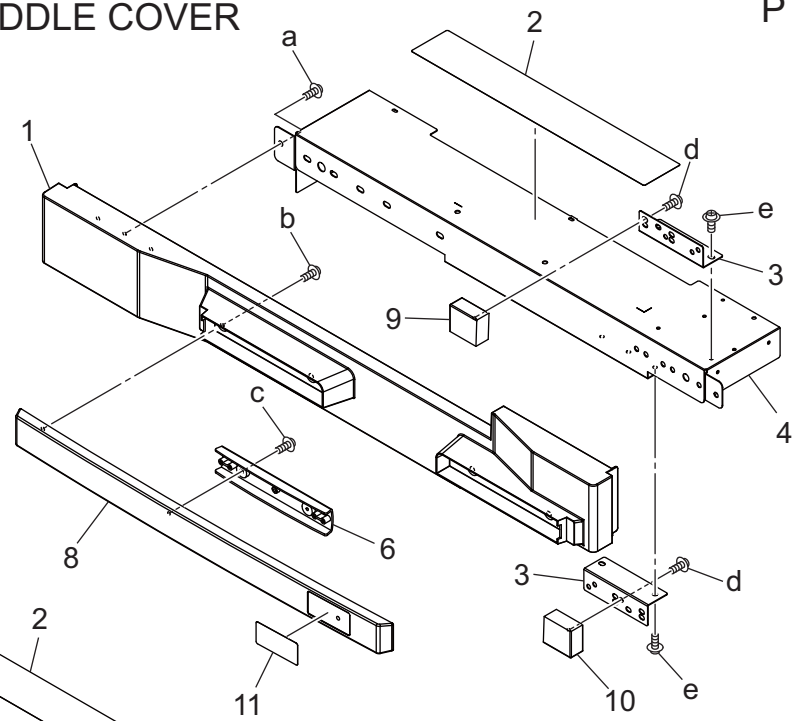
bizhub PRESS C6000/bizhub PRO C6000L

EXTERNAL PARTS  
UPPER COVER

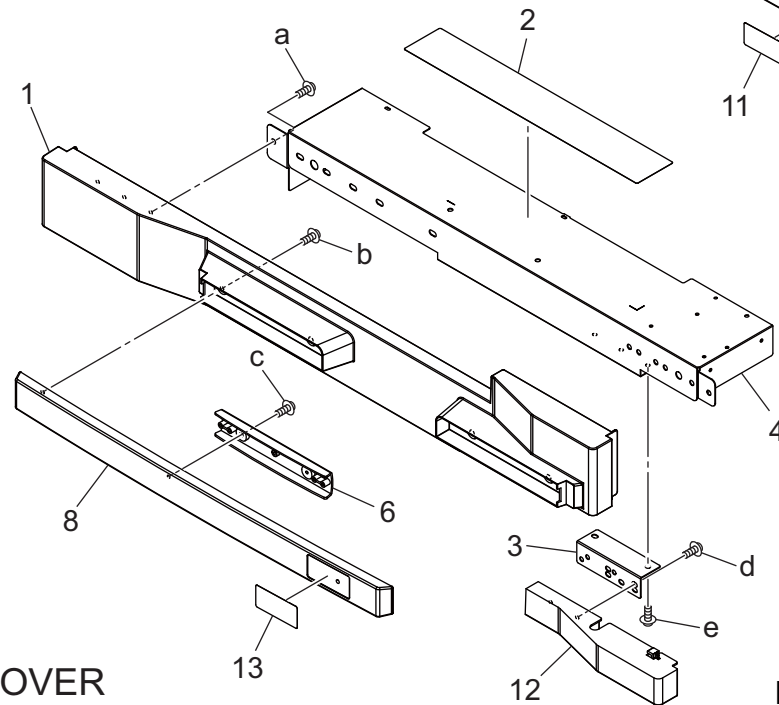


MIDDLE COVER

P 6



LOWER COVER




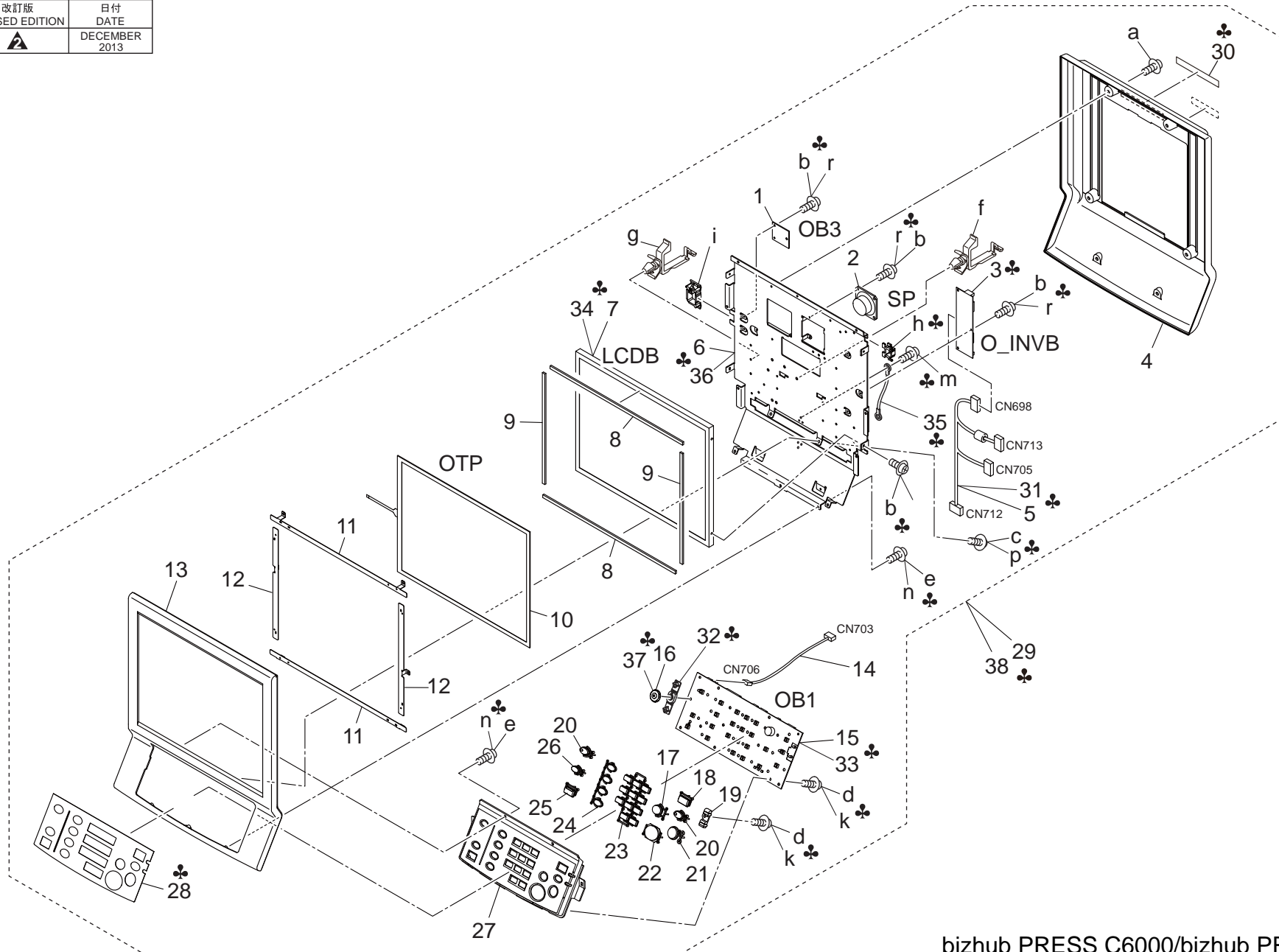
bizhub PRESS C6000/bizhub PRO C6000L

EXTERNAL PARTS

Key	Part No.	Description	Destinations	Class	QTY	Standard parts
1	A0U0174000	Paper feed Cover		C	3	a-V158041003 b-V151041203 c-V158031003 d-V151040804 e-V121030404
2	A1RF944200	Operation Label /1		D	3	
3	A03U620600	Mounting Plate		D	4	
4	A03U620503	Support Cover		D	3	
5	A0U0178800	Paper feed Cover /B		C	1	
6	A03X170201	PAPER FEED HANDLE /2		C	3	
7	A0U0945401	Indicating Label /1		C	1	
8	A0U0179800	Paper feed Handle		C	3	
9	A0U0178700	Paper feed Cover /A		C	1	
10	A0U0179100	Paper feed Cover /C		C	1	
11	A0U0945501	Indicating Label /2		C	1	
12	A0U0179601	Paper feed Cover /D		C	1	
13	A0U0945601	Indicating Label /3		C	1	

# OPERATION SECTION

改訂版 REVISED EDITION	日付 DATE
	DECEMBER 2013



bizhub PRESS C6000/bizhub PRO C6000L




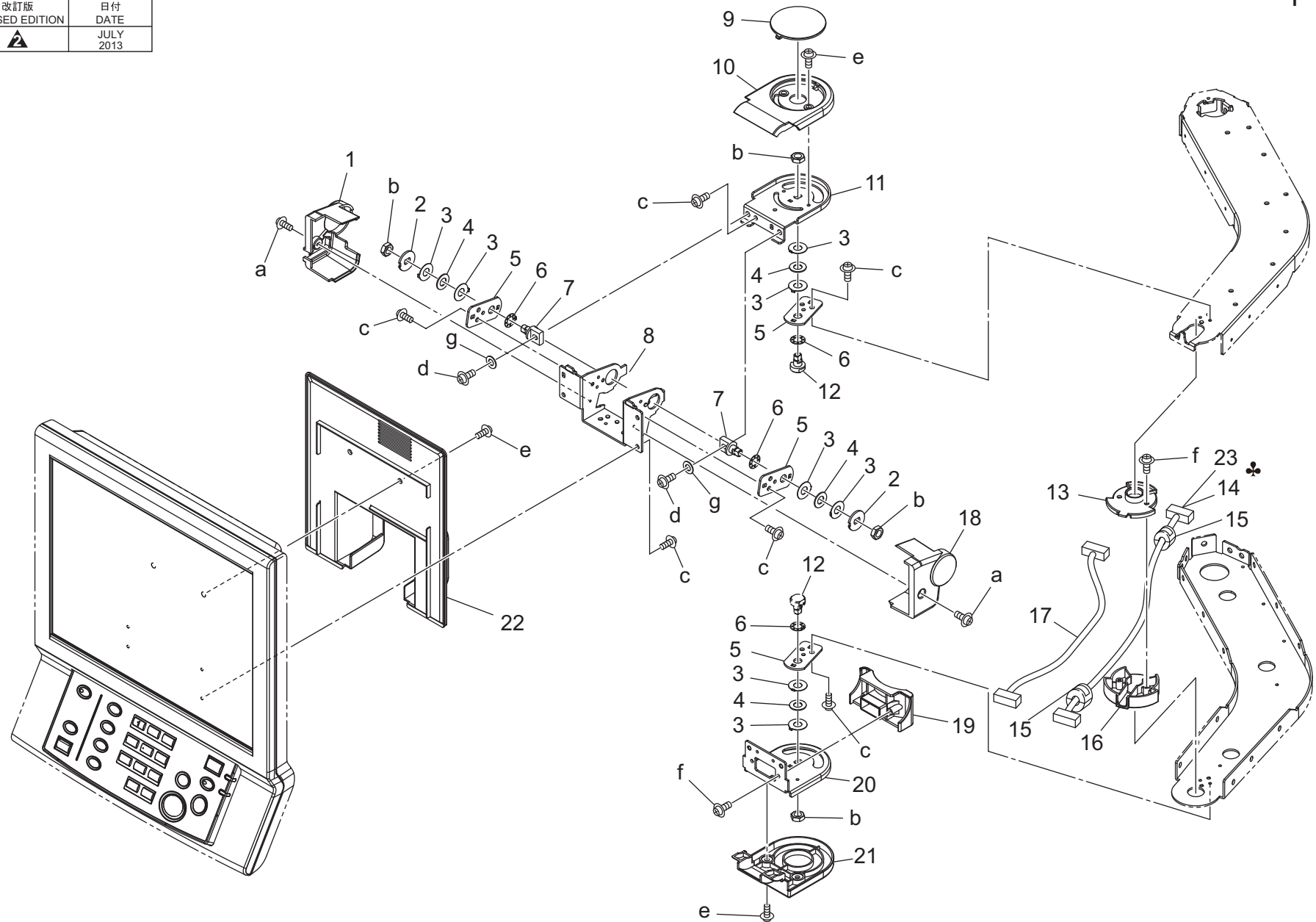
Key	Part No.	Description	Destinations	Class	QTY	Standard parts
1	A0G6H06000	Operation Board /3 Assy	操作基板 / 3	C	1	a-V114040604
2	4040M40100	LOUDSPEAKER	スピーカ	D	1	b-V118030403
3	A0G6M35200	Ope.Unit Inverter Unit	操作部インバータユニット	C	1	c-V158031003
4	A0G6190200	Operation Cover /Rear	操作カバー / 後	C	1	d-V158030603
5	A0G6N18101	Ope.unit Wiring /3	操作部束線 / 3	D	1	e-V158030803
6	A0G6190403	Operation Plate	操作板	D	1	f-V500010005
7	A0G6M75400	Ope.Unit LCD	操作部 LCD	C	1	g-V500010046
8	A0G6192400	Holding Cushion /Upper	押さえクッション / 上	C	2	h-V570010050
9	A0G6192500	Holding Cushion /Right	押さえクッション / 右	C	2	i-V570010063
10	A0G6M75501	Ope.Unit Touch Panel	操作部タッチパネル	C	1	k-V151030603
11	A0G6192700	Ground Plate /1	アース板 / 1	D	2	m-V116040603
12	A0G6192900	Ground Plate /2	アース板 / 2	D	2	n-V151030803
13	A0G6190101	Operation Cover /Front	操作カバー / 前	C	1	p-V151031003
14	A0G6N18400	Ope.Unit Control Harness /3	操作部制御束線 / 3	D	1	r-V118030603
15	A0G6H04000	OPERATION BOARD/1 ASSY	操作基板 / 1 ASSY	I	1	
16	A0G6194101	Operation Knob /1	操作つまみ / 1	C	1	
17	A0G6193500	Operation Button /5	操作ボタン / 5	C	1	
18	A0G6193700	Operation Button /7	操作ボタン / 7	C	1	
19	A0G6191600	Indicating Part /1	表示部材 / 1	D	1	
20	A0G6193800	Operation Button /10	操作ボタン / 10	C	2	
21	56UA70330	OPERATION UNIT BUTTON S	操作部ボタン S	C	1	
22	A0G6193200	Operation Button /2	操作ボタン / 2	C	1	
23	A0G6193100	Operation Button /1	操作ボタン / 1	C	1	
24	A0G6193400	Operation Button /4	操作ボタン / 4	C	1	
25	A0G6194000	Operation Button /9	操作ボタン / 9	C	1	
26	A0G6193900	Operation Button /8	操作ボタン / 8	C	1	
27	A0G6190301	Operation Casing /1	操作ケーシング / 1	C	1	
28	A0G6195000	Operation Sheet	操作シート (日本語)	C	1	A
28	A0G6205000	Operation Sheet	操作シート (英語)	C	1	B, D1, D3, E, F2, G 1, G2, I
28	A0G6205100	Operation Sheet	操作シート (英語 / 中国語)	J	1	
28	A0G6205300	Operation Sheet	操作シート (韓国語)	K	1	
28	A0G6205200	Operation Sheet	操作シート (台湾語)	H	1	
29	A1DUR70F11	Operation Unit(JP)	操作部ユニット (国内)	A	1	
29	A1DUR70G11	Operation Unit(US)	操作部ユニット (北米)	B, G2	1	
29	A1DUR70H00	Operation Unit(EU)	操作部ユニット (欧州)	C	1	
29	A1DUR74F11	Operation Unit(AP)	操作部ユニット (A P)	D1, D3, E, F2, G1, I	1	
29	A1DUR74P11	Operation Unit(CHINA)	操作部ユニット (中国)	J	1	
29	A1DUR74Q11	Operation Unit(KOREA)	操作部ユニット (韓国)	K	1	
29	A1DUR74R00	Operation Unit	操作部ユニット (台湾)	H	1	
30	A03U946500	Regulating Label	規制ラベル	B, G2	1	
31	A4EUN18100	Ope.unit Wiring /3	操作部束線 / 3	A, B, C, G2(New Type)	1	
32	A4EU194200	Fixing Holder	固定ホルダ	A, B, C, G2(New Type)	1	
33	A4EUH04001	Operation Board /1 Assy	操作基板 / 1 ASSY	A, B, C, G2(New Type)	1	
34	A4EUM75400	Ope.unit LCD	操作部 LCD	A, B, C, G2(New Type)	1	
35	A1RFN28300	Ope.unit Wiring /1	操作部束線 / 1	A, B, C, G2(New Type)	1	
36	A4EU190412	Operation Plate	操作板	A, B, C, G2(New Type)	1	
37	A4EU194100	Operation Knob /1	操作つまみ / 1	A, B, C, G2(New Type)	1	

Key	Part No.	Description	Destinations	Class	QTY	Standard parts
38	A1DUR75300	Operation Unit Assy	A (New Type)		1	
38	A1DUR75400	Operation Unit Assy	B. G2(New Type)		1	
38	A1DUR75500	Operation Unit Assy	C (New Type)		1	

bizhub PRESS C6000/bizhub PRO C6000L

# OPERATION SECTION

改訂版 REVISED EDITION	日付 DATE
	JULY 2013



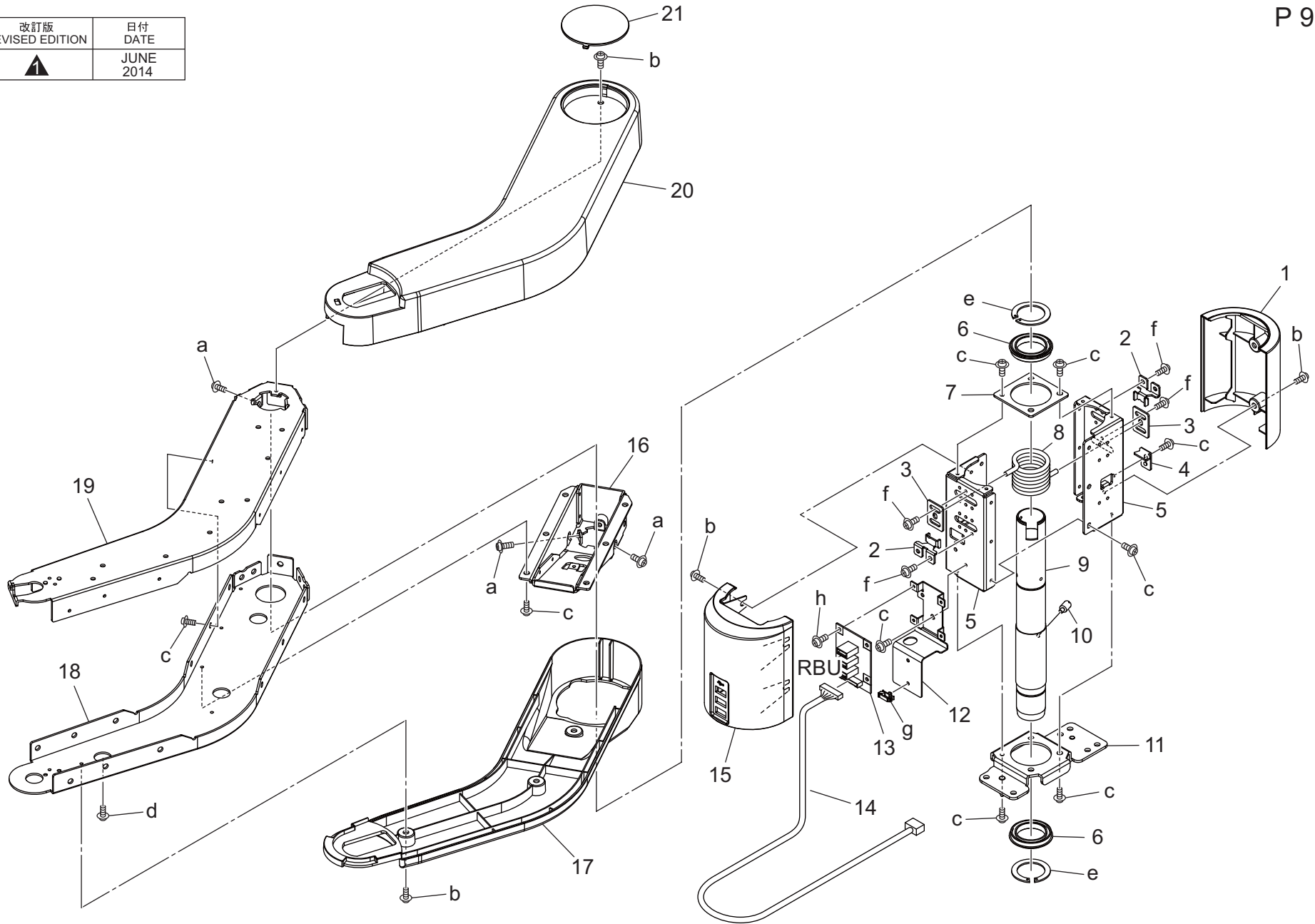
bizhub PRESS C6000/bizhub PRO C6000L

# OPERATION SECTION

Key	Part No.	Description	Destinations	Class	QTY	Standard parts
1	A03U194002	Operation Cover /F		C	1	a-V121030603 b-V196080003 c-V121040603 d-V188051604 e-V114040604 f-V158030803 g-V207050003
2	A03U192000	Fixing Part /T		D	2	
3	A03U191800	Rotation Spacer /1		D	8	
4	A03U191700	Rotation Spring /T		D	4	
5	A03U191600	Mounting Plate /T		D	4	
6	A03U191900	Rotation Spacer /2		D	4	
7	A03U192100	Fixing Shaft /U		D	2	
8	A03U190900	Ope. unit Mounting Stay /1		D	1	
9	A03U193800	Operation Cover /I		C	1	
10	A03U193300	Operation Cover /C		C	1	
11	A03U191400	Support Plate /Upper		D	1	
12	A03U192200	Rotation Shaft /T		D	2	
13	A03U193700	Swing Cover /Upper		C	1	
14	A1DUN28100	Ope.unit Control harness /1		D	1	
15	A0G6M93100	Ferritecore		D	2	
16	A03U193600	Swing Cover /Lower		C	1	
17	A1DUN28200	Ope.unit Control harness /2		D	1	
18	A03U194102	Operation Cover /G		C	1	
19	A03U193400	Operation Cover /E		C	1	
20	A03U191500	Support Plate /Lower		D	1	
21	A03U193500	Operation Cover /D		C	1	
22	A1DU197100	Operation Cover /R		D	1	
23	A1DUN28300	Ope.Unit Control Harness /3	A, B, C, G2(New Type)	D	1	

# OPERATION SECTION

改訂版 REVISED EDITION	日付 DATE
	JUNE 2014



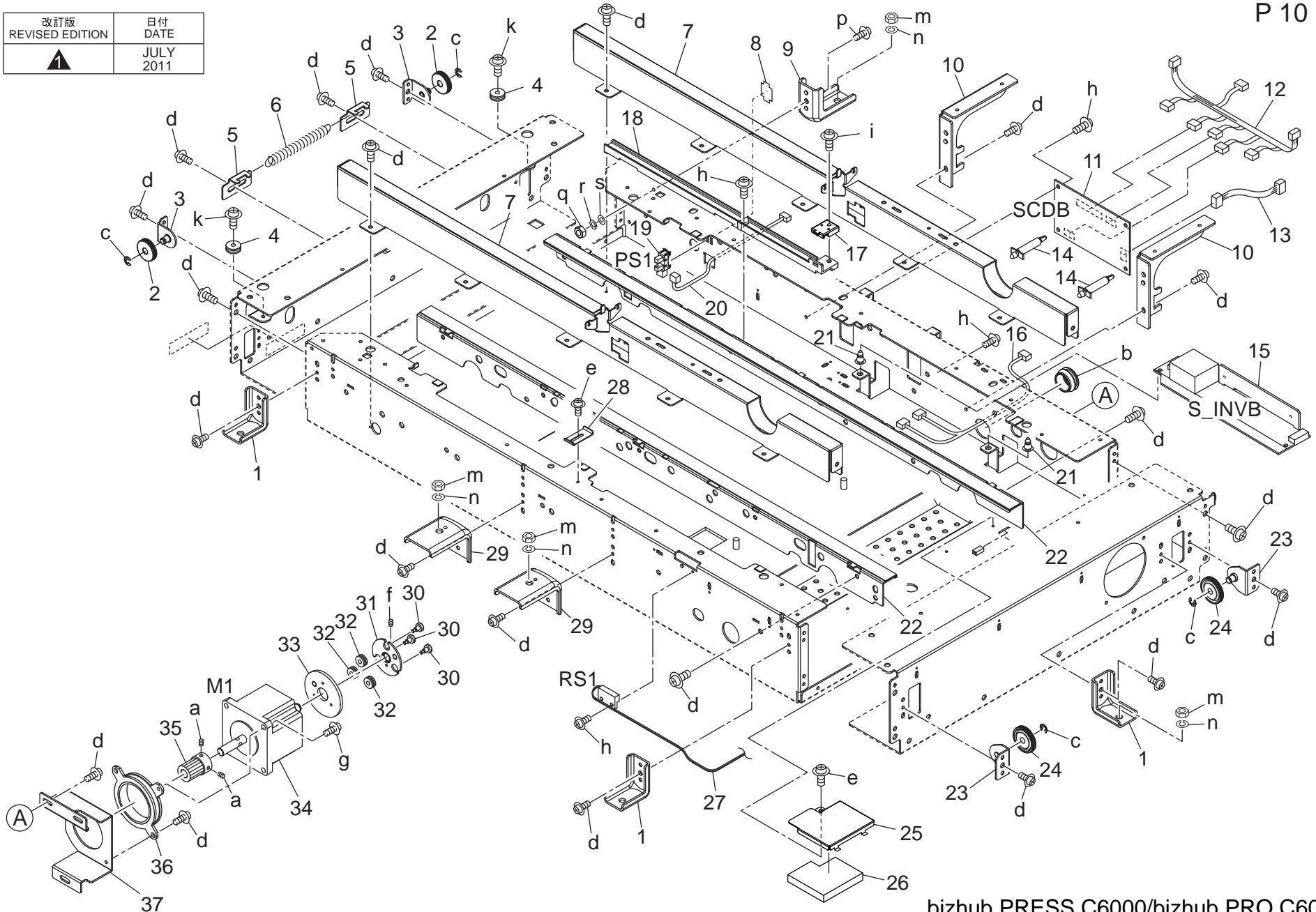
bizhub PRESS C6000/bizhub PRO C6000L

Key	Part No.	Description	Destinations	Class	QTY	Standard parts
1	A1DU194300	Operation Cover /B		D	1	a-V185041203
2	A03U195400	Regulating Part		D	2	b-V114040604
3	A03U195302	REGULATING PLATE		D	2	c-V121040603
4	A03U195500	Rotation Stopper		D	1	d-V158030803
5	A03U190802	Support Plate /2		D	2	e-V223300004
6	65AA75010E	DRUM SUPPORT BEARING		D	2	f-V116040803
7	A03U191100	Support Plate /3		D	1	g-V500010061
8	A03U191201	Support Spring		C	1	h-V121030603
9	A03U191300	Ope. unit Support Pipe		D	1	
10	A03U192300	Stopper Screw /A		C	1	
11	A03UF19100	Main Body Attachment Caulking		D	1	
12	A1DU190101	Installing Plate		D	1	
13	A1DUH11000	Relay Board/U ASSY		C	1	
14	A1DUN29001	Relay Wiring /U		D	1	
15	A1DU194200	Operation Cover /A		D	1	
16	A03U190700	Support Plate /1		D	1	
17	A03U193200	Operation Cover /Lower		C	1	
18	A03U190500	Ope. unit Mounting Arm /Lower		D	1	
19	A03U190600	Ope. unit Mounting Arm /Upper		D	1	
20	A03U193100	Operation Cover /Upper		C	1	
21	A03U193900	Operation Cover /J		C	1	

# OPTICAL SECTION

P 10

改訂版 REVISED EDITION	日付 DATE
	JULY 2011



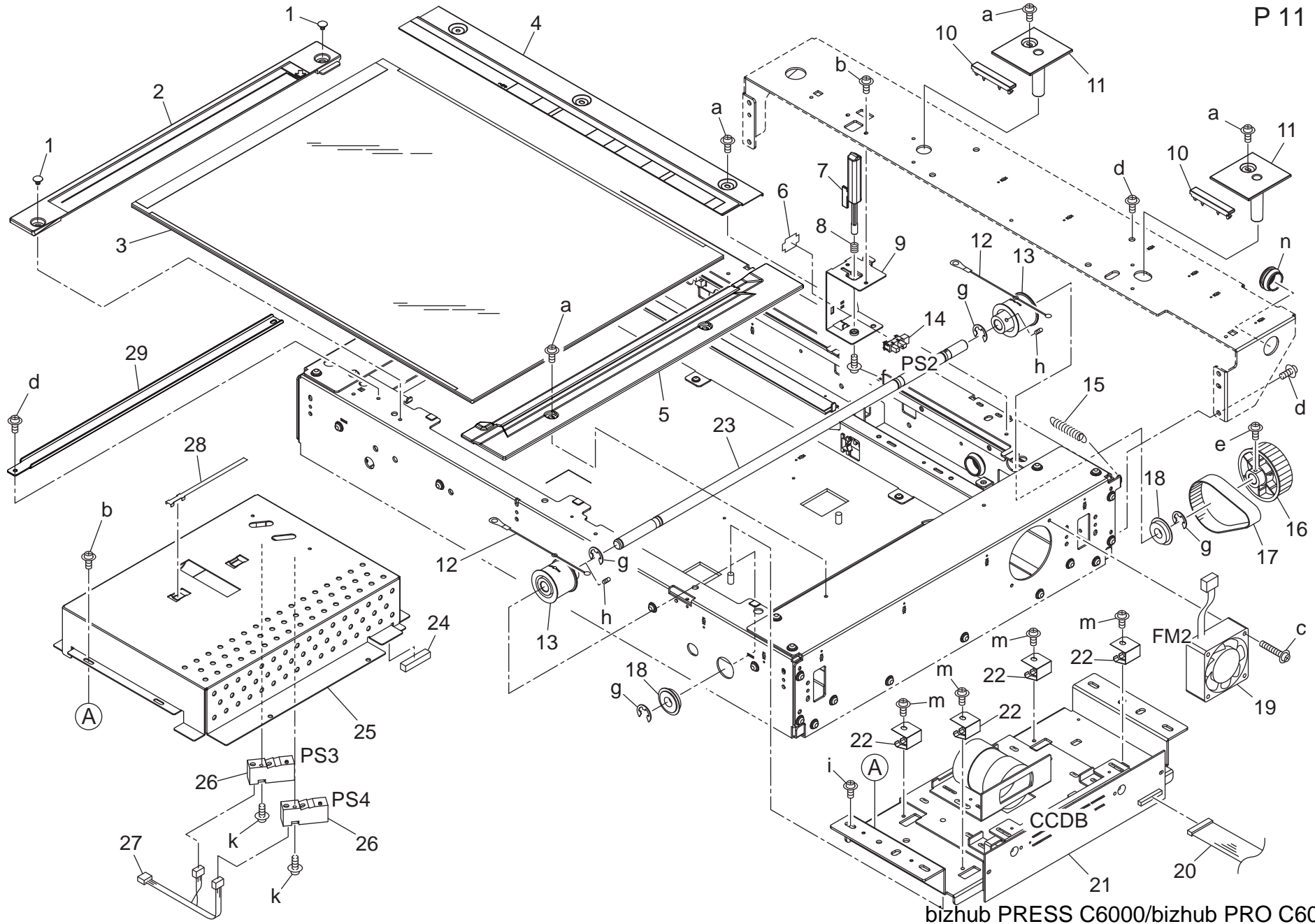
bizhub PRESS C6000/bizhub PRO C6000L

Key	Part No.	Description	Destinations	Class	QTY	Standard parts
1	65AA61620	READ SUPPORT PART /1		D	3	a-V193040804
2	26NA61940	Bearing	読取支持部材 / 1 ワイヤーブーリ	C	2	b-V570010043
3	A1DUR74000	Priley Fixing Plate Caulking	ブーリ固定板カシメ	D	2	c-V217040050
4	25SA61700	WIRE GUIDE ROLLER	ワイヤーガイドコロ	C	2	d-V121040603
5	25SA61710	SPRING FIXING PLATE	バネ固定板	D	2	e-V121030403
6	65AA61250	WIRE TENSION SPRING	ワイヤーテンションバネ	C	1	f-V193040604
7	A1DUR72M00	Read Rail/Middle Assy	読取レール / 中部組	D	2	g-V111041003
8	4470402401	STOPPER	ストッパ	D	1	h-V121030603
9	65AA61290D	Read Support Part /2	読取支持部材 / 2	D	1	i-V151031203
10	25SA61070	REINFORCE PLATE	補強板	D	2	k-V126041003
11	65AA-9071E	Scanner Drive Board Assy	スキャナー駆動基板部組	B	1	m-V195060003
12	65AA90320E	SCANNER DRIVE WIRING	スキャナー駆動束線	D	1	n-V205060003
13	65AA90310	Optical Drive Wiring	光学駆動束線	D	1	p-V116041203
14	V502010019	support	ロッキングサーキットボードサポート	D	2	q-V195040003
15	A03UM40500	Lamp Starter	ランプ 点灯器	I	1	r-V205040003
16	65AA91080E	SCANNER DRIVE WIRING /2	スキャナー駆動束線 / 2	D	1	s-V207040003
17	65AA61400	CORD HOLDER	コード押え	D	1	
18	65AA61390	CORD GUIDE PART	コードガイド部材	D	1	
19	08AA85512	Photo Sensor	フォトセンサ	B	1	
20	65AA90670	SCANNER RELAY WIRING	スキャナー中継束線	D	1	
21	V502010047	Locking Cap Spacer	ロッキングキャップスペーサー	V	2	
22	A1DUR72N00	Read Rail Assy	読取レール部組	D	2	
23	25SA-6201	Pulley MT Plate /F Unit	ブーリ取付板 / 前部組	D	2	
24	56AA61290	BUSHING	光学アイドラブーリ	C	2	
25	65AA61460E	Cord Holding Plate	コード押さえ板	D	1	
26	65AA61570E	Read Holding Pad	読取押さえパッド	D	1	
27	65AA85010	ADF DETECTING SENSOR	ADF 検知センサ	B	1	
28	26NA62160	GLASS HOLDING PLATE	ガラス押え板	C	1	
29	A03U266201	Read Support Part /1	読取支持部材 / 1	D	2	
30	56AA61400	MOTOR AUXILIARY SCREW	モータ補助ネジ	C	3	
31	56AA-6421	MOTOR AUX PART CAULKING	モータ補助部材カシメ	D	1	
32	56AA61410	MOTOR AUXILIARY RUBBER	モータ補助ゴム	C	3	
33	56AA61372	MOTOR AUXILIARY PART /1	モータ補助部材 / 1	D	1	
34	65AA80131	OPTICAL DRIVE MOTOR	光学駆動モータ	C	1	
35	65AA76510	READ DRIVING PULLEY	読み取り駆動ブーリ	C	1	
36	A03U260200	Vibrationproof Rubber /M	防振ゴム / M	C	1	
37	65AA61310D	Motor Support Plate	モータ支持板	D	1	



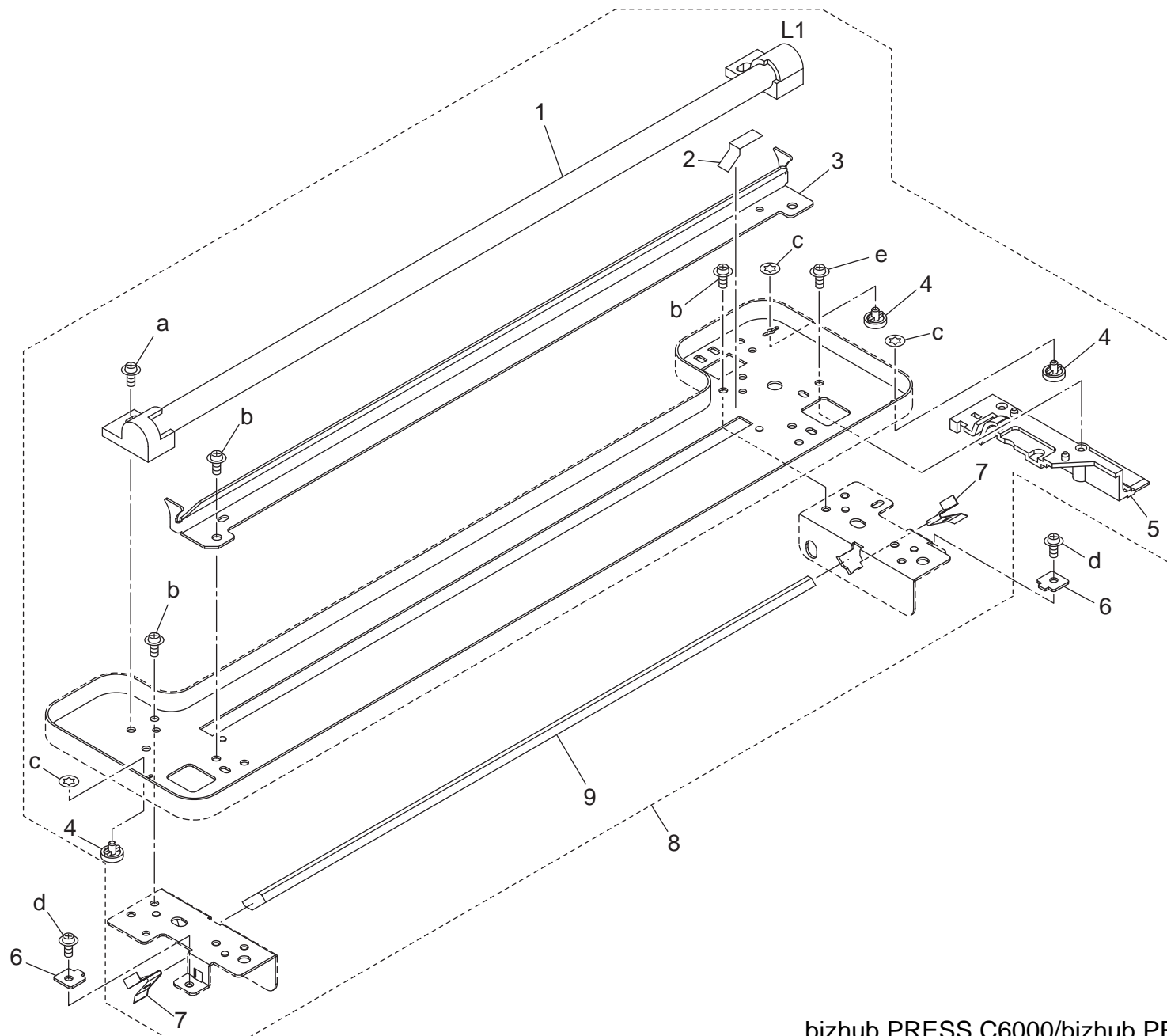
# OPTICAL SECTION

P 11



bizhub PRESS C6000/bizhub PRO C6000L

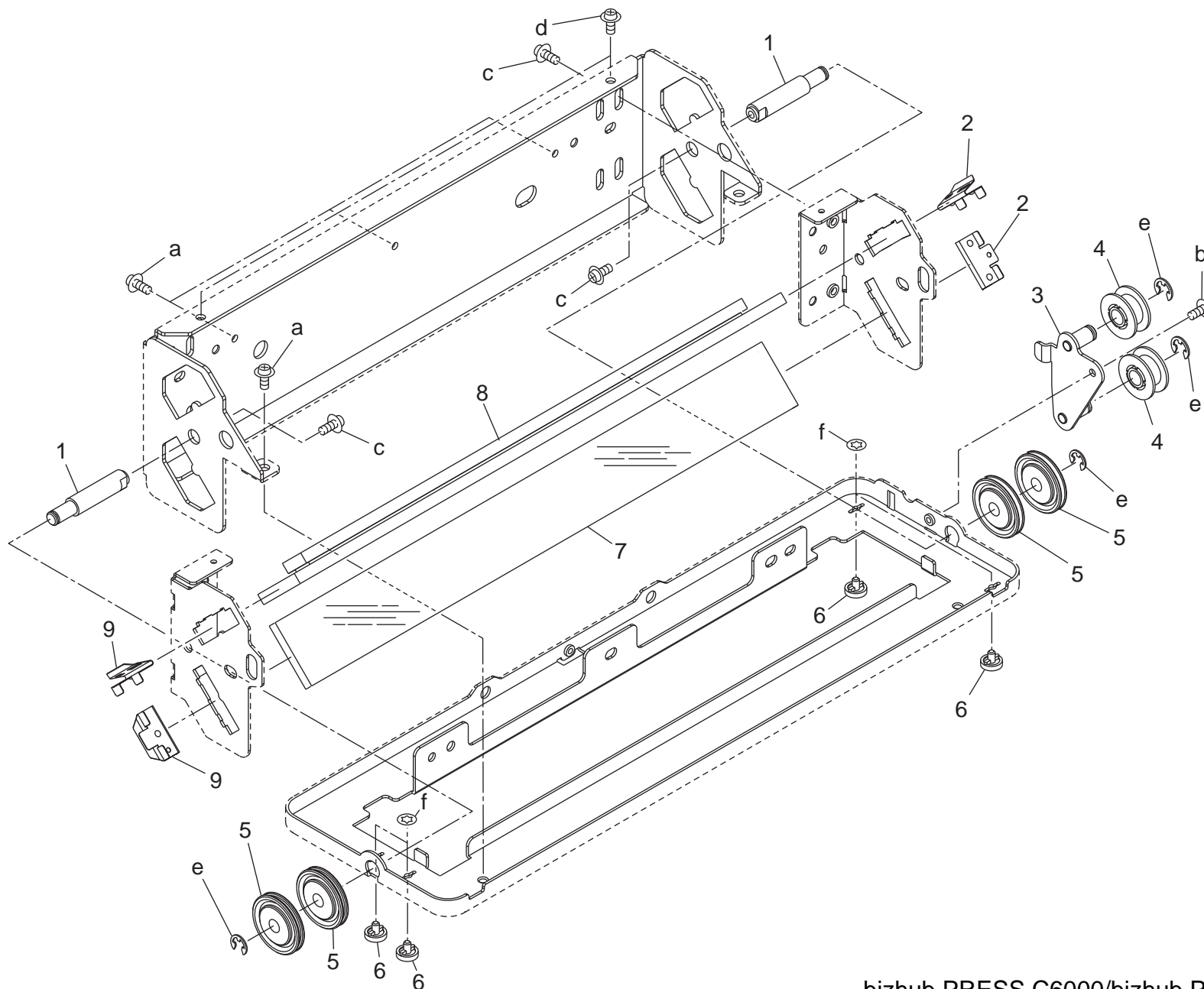
Key	Part No.	Description	Destinations	Class	QTY	Standard parts
1	56UA12700	Fixing Screw		C	2	a-V114040604
2	A1DUR70Q00	Original Position Plate/Left Assy		C	1	b-V121030603
3	A1DUR70S00	Original Glass Assy		C	1	c-V118043003
4	A1DUR70R00	Original Position Plate/Rear Assy		C	1	d-V121040603
5	A1DU161700	Read Cover /Middle		D	1	e-V116031003
6	4470402401	STOPPER		D	1	f-V151030803
7	56AA61420	ADF DETECTING ACTUATOR		C	1	g-V217090050
8	56AA61431	ADF DETECTION SPRING		C	1	h-V193040604
9	65AA61491D	Mounting Part		D	1	i-V116040803
10	A1DU164600	Auxiliary Cover		D	2	k-V111032003
11	A1DU164200	Support Part		D	2	m-V121040403
12	65AA61180	Optics Wire		C	2	n-V570010043
13	25SA61650	DRIVE PULLEY		C	2	
14	08AA85512	Photo Sensor		B	1	
15	65AA61210	BELT TENSION SPRING		C	1	
16	65AA76520	READ DRIVEN PULLEY 108T		C	1	
17	65AA61350	Read Driving Belt 204L		C	1	
18	500075010	BALL BEARING		B	2	
19	27LA80511	Main Body Fan Motor		A	1	
20	A03UN13300	CCD Wiring		C	1	
21	A03UA29012	CCD Unit		I	1	
22	55TA61320	LENS EARTH SPRING		C	4	
23	65AA61300E	Driving Shaft		D	1	
24	65AA61580	READ EARTH PART		D	1	
25	65AA61440E	Lens Light Shield Cover		D	1	
26	56AA85531	APS Sensor /2		B	2	
27	65AA90680E	PLATEN APS WIRING		D	1	
28	A03U266300	Ground Plate		D	1	
29	65AA61560D	Read Auxiliary Plate		D	1	



bizhub PRESS C6000/bizhub PRO C6000L

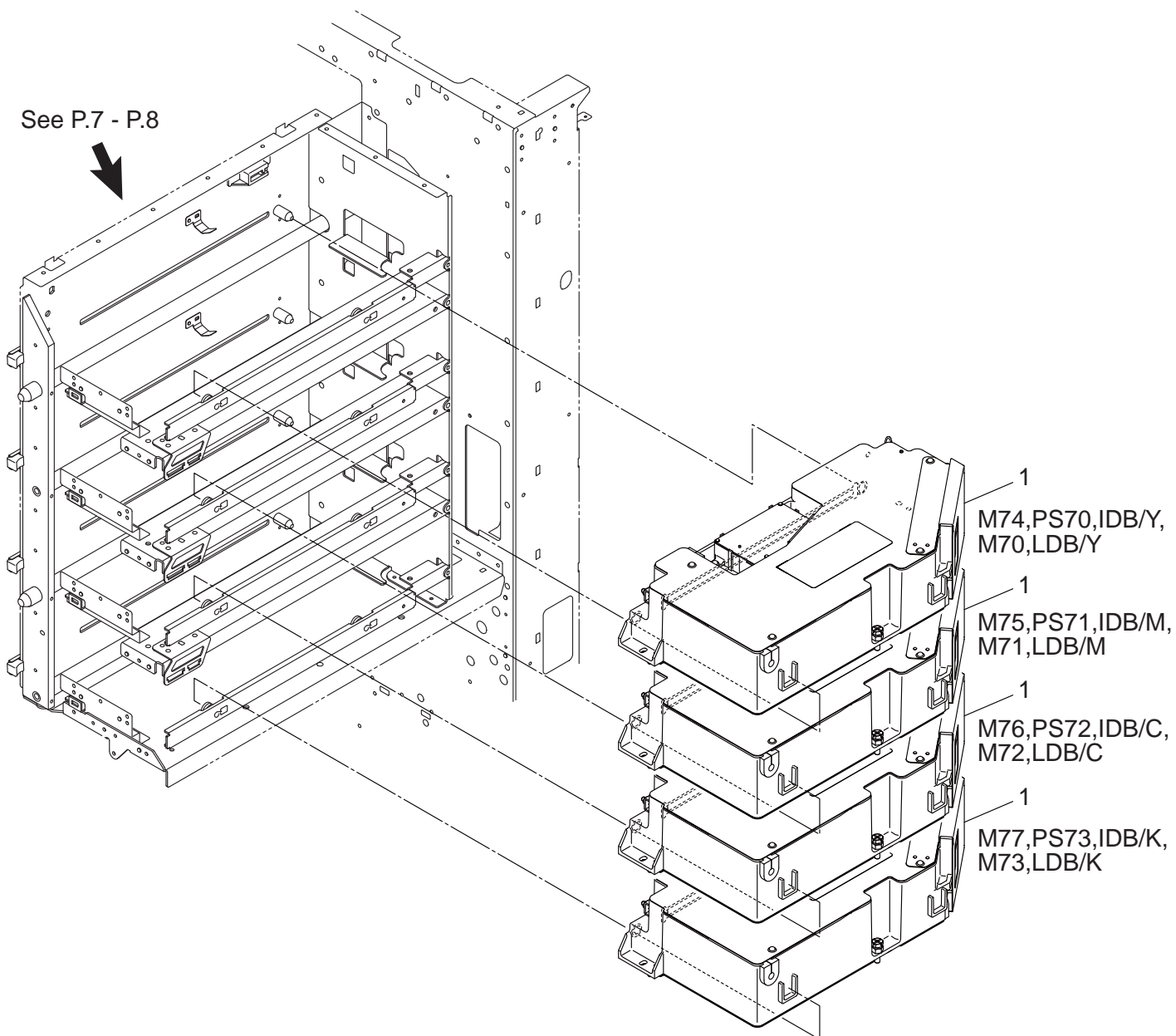
# OPTICAL SECTION

Key	Part No.	Description	Destinations	Class	QTY	Standard parts
1	A03UM30101	Exposure Lamp		I	1	a-V121030803 b-V121030603 c-V226030050 d-V116030603 e-V151030803
2	A03U266400	Light blocking Sheet		D	1	
3	65AA61510	Reflecting Mirror		D	1	
4	65AA61200	OPTICS SLIDE PART		C	3	
5	65AA61360	LIGHT SHIELD PLATE		D	1	
6	65AA61370	WIRE FIXING PLATE		D	2	
7	26NA61410	MIRROR PRESSURE SPRING		B	2	
8	A1DUR70T00	First-Mirror Assy		C	1	
9	A1DUR72P00	First-Mirror Assy		C	1	



bizhub PRESS C6000/bizhub PRO C6000L

Key	Part No.	Description	Destinations	Class	QTY	Standard parts
1	65AA61410	PULLEY SHAFT 2		D	2	a-V121040603 b-V121030403 c-V116040803 d-V118031003 e-V217040050 f-V226030050
2	25SA61540	MIRROR HOLDER 3		C	2	
3	65AA-6280	CORD GUIDE PULLEY CAULKING		D	1	
4	65AA61430	CORD GUIDE PULLEY		C	2	
5	56AA61290	BUSHING		C	4	
6	65AA61200	OPTICS SLIDE PART		C	4	
7	A03U261200	Read Mirror /3		C	1	
8	65AA61120	Read Mirror /2		C	1	
9	25SA61550	MIRROR HOLDER 4		C	2	



bizhub PRESS C6000/bizhub PRO C6000L

WRITE SECTION

Key	Part No.	Description	Destinations	Class	QTY	Standard parts
1	A1DUR70U00	PH Unit PH ユニット		I	4	

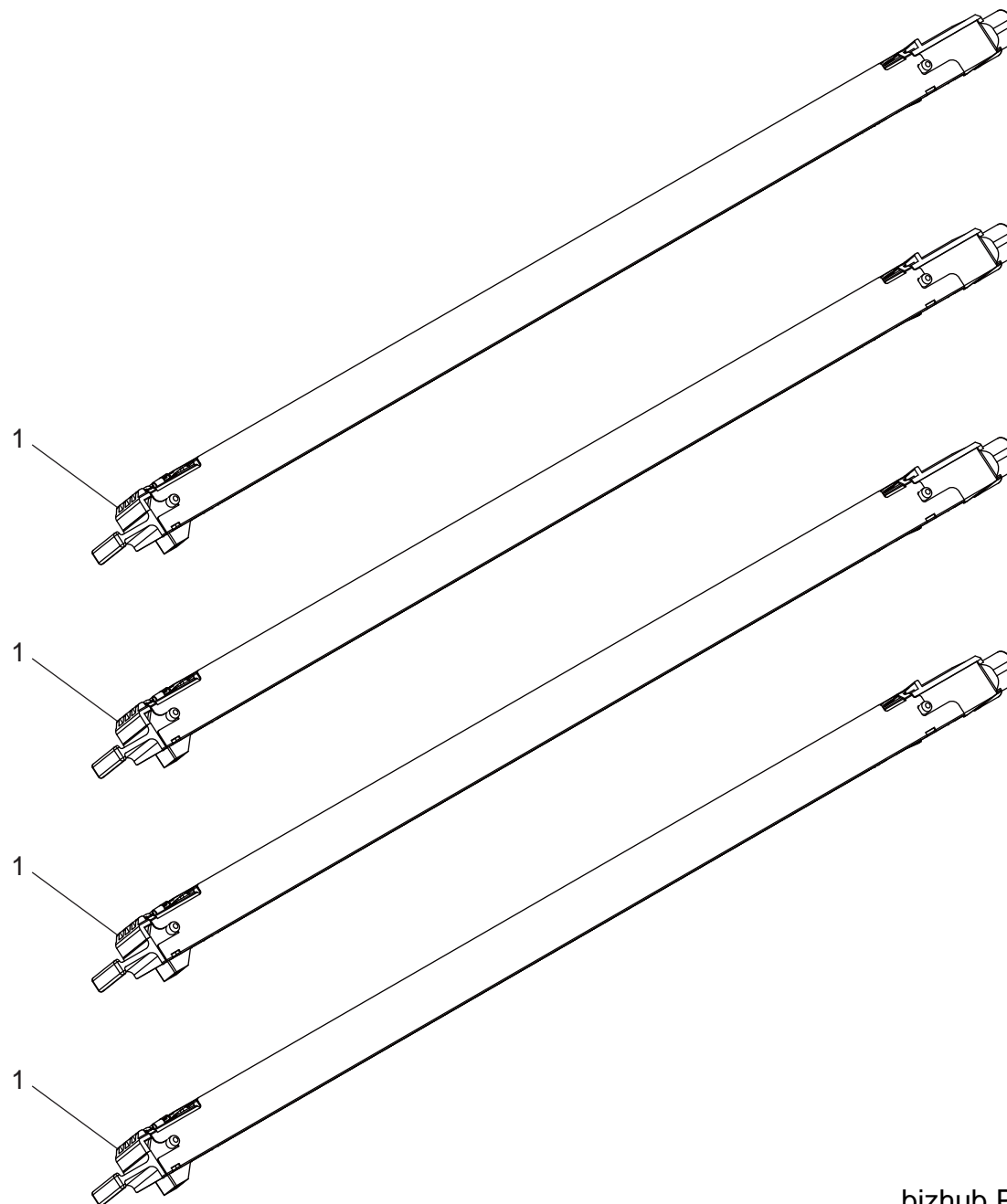
bizhub PRESS C6000/bizhub PRO C6000L



# CHARGE CORONA SECTION

YELLOW  
MAGENTA  
CYAN  
BLACK

P 15



bizhub PRESS C6000/bizhub PRO C6000L

# CHARGE CORONA SECTION

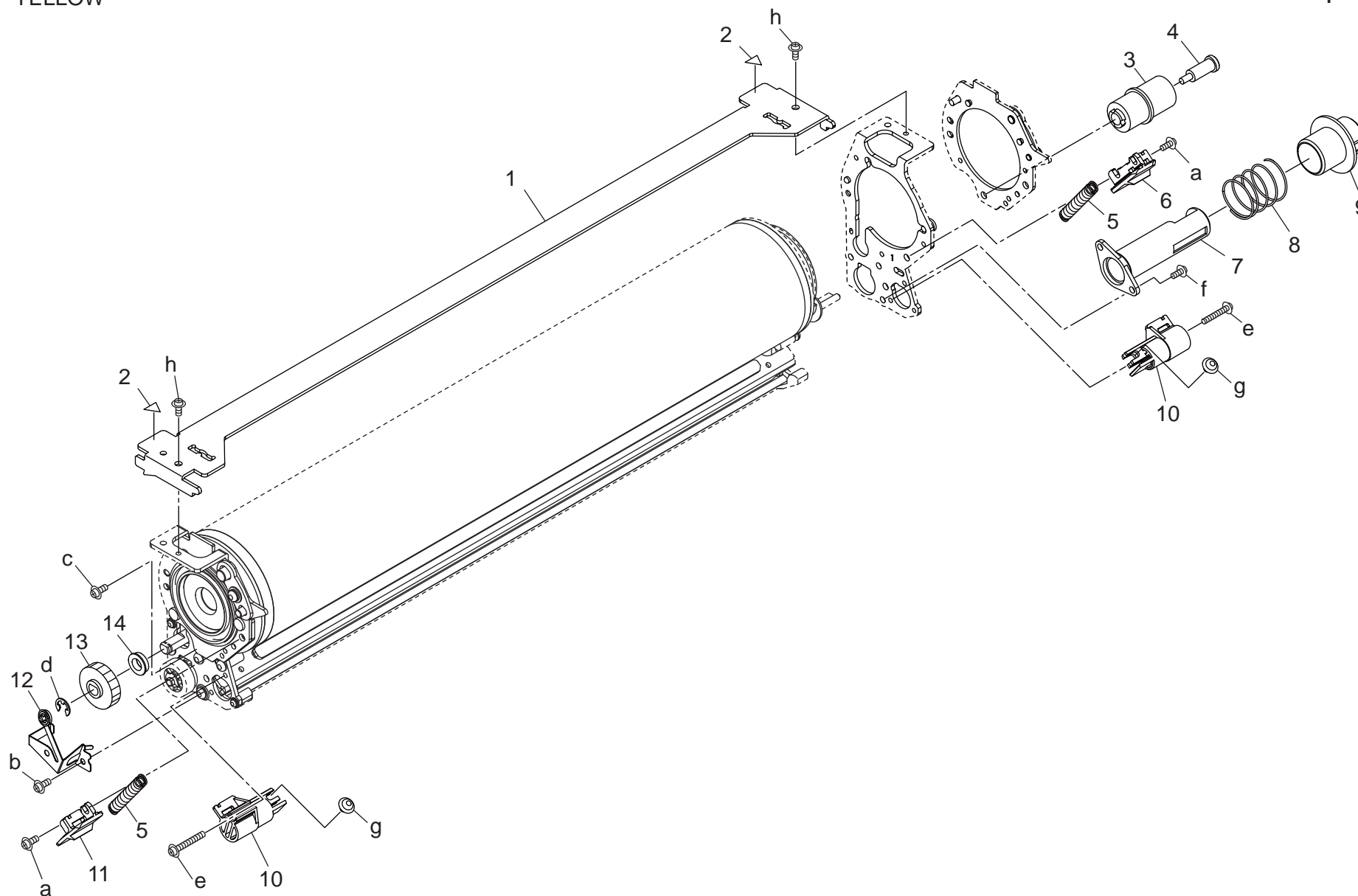
Key	Part No.	Description	Destinations	Class	QTY	Standard parts
1	A1DUR71300	Charging Unit 帯電極ユニット		A	4	

bizhub PRESS C6000/bizhub PRO C6000L

# PHOTO CONDUCTOR SECTION

YELLOW

P 16



bizhub PRESS C6000/bizhub PRO C6000L

PHOTO CONDUCTOR SECTION

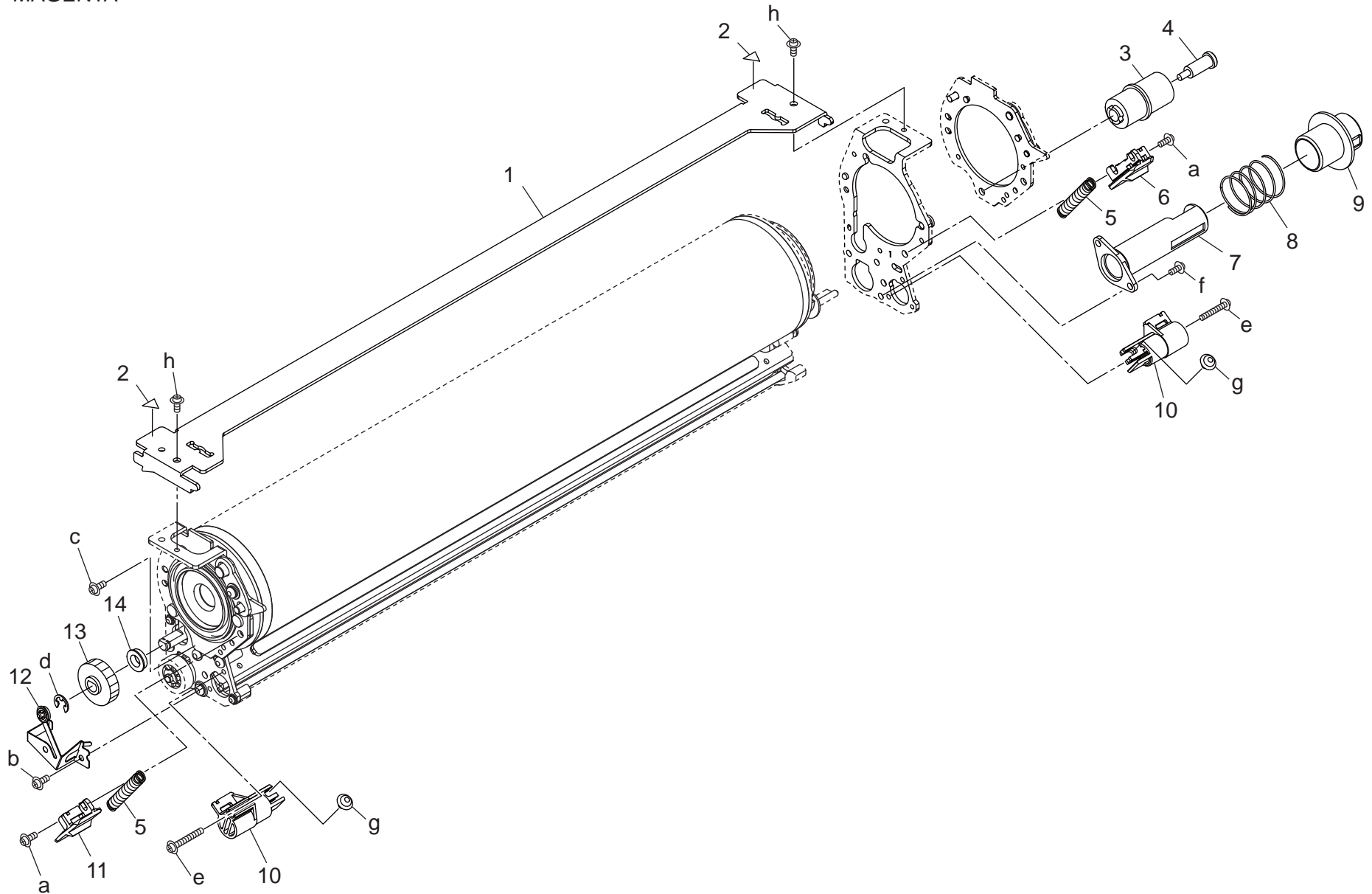
Key	Part No.	Description	Destinations	Class	QTY	Standard parts
1	A03U330203	Drum Stay /Upper		D	1	a-V129030803 b-V151031003 c-V118030603 d-V217040050 e-V121031803 f-V145031003 g-V121030403 h-V126030603
2	A1RF945100	Replacement Label /1		D	2	
3	A03U334600	Coupling /A		C	1	
4	65AA20450	Coupling Shaft /A		D	1	
5	A1DU332500	Pressing Spring		D	2	
6	A1DU335200	Insulating Part /Rear		D	1	
7	65AA20040	COLLECTING PIPE		D	1	
8	65AA20300	TONER COLLECTING SPRING		C	1	
9	65AA20060	COLLECTING COVER		C	1	
10	A1DU331200	Support Part		D	2	
11	A1DU335100	Insulating Part /Front		D	1	
12	A1DUR72Q00	Drum Ground		C	1	
13	65AA77320	SCREW IDLING GEAR 32T		C	1	
14	A00J617800	BALL BEARING		B	1	

bizhub PRESS C6000/bizhub PRO C6000L

# PHOTO CONDUCTOR SECTION

MAGENTA

P 17



bizhub PRESS C6000/bizhub PRO C6000L

PHOTO CONDUCTOR SECTION

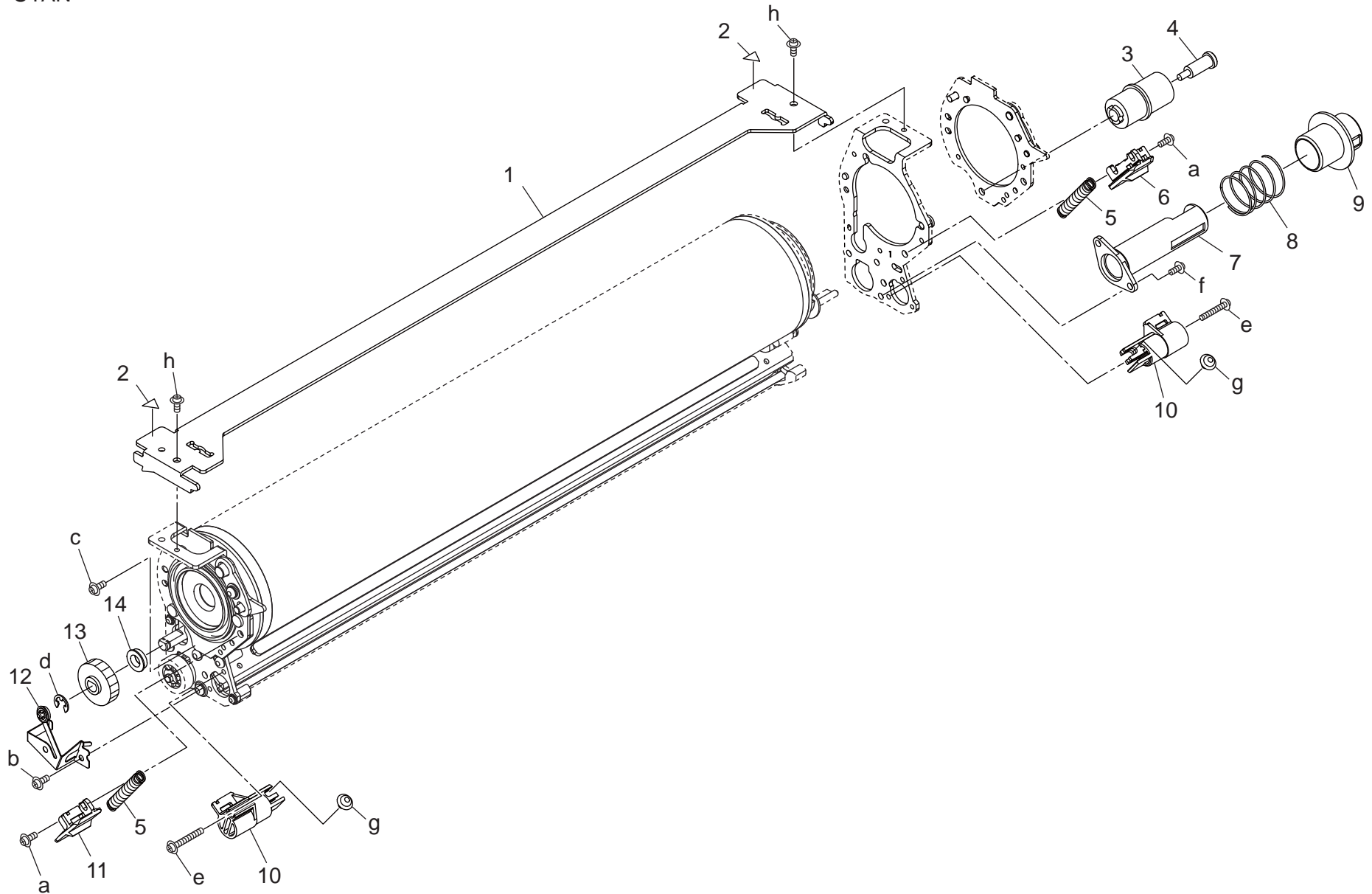
Key	Part No.	Description	Destinations	Class	QTY	Standard parts
1	A03U330203	Drum Stay /Upper		D	1	a-V129030803
2	A1RF945100	Replacement Label /1		D	2	b-V151031003
3	A03U334600	Coupling /A		C	1	c-V118030603
4	65AA20450	Coupling Shaft /A		D	1	d-V217040050
5	A1DU332500	Pressing Spring		D	2	e-V121031803
6	A1DU335200	Insulating Part /Rear		D	1	f-V145031003
7	65AA20040	COLLECTING PIPE		D	1	g-V121030403
8	65AA20300	TONER COLLECTING SPRING		C	1	h-V126030603
9	65AA20060	COLLECTING COVER		C	1	
10	A1DU331200	Support Part		D	2	
11	A1DU335100	Insulating Part /Front		D	1	
12	A1DUR72Q00	Drum Ground		C	1	
13	65AA77320	SCREW IDLING GEAR 32T		C	1	
14	A00J617800	BALL BEARING		B	1	

bizhub PRESS C6000/bizhub PRO C6000L

# PHOTO CONDUCTOR SECTION

CYAN

P 18



bizhub PRESS C6000/bizhub PRO C6000L

# PHOTO CONDUCTOR SECTION

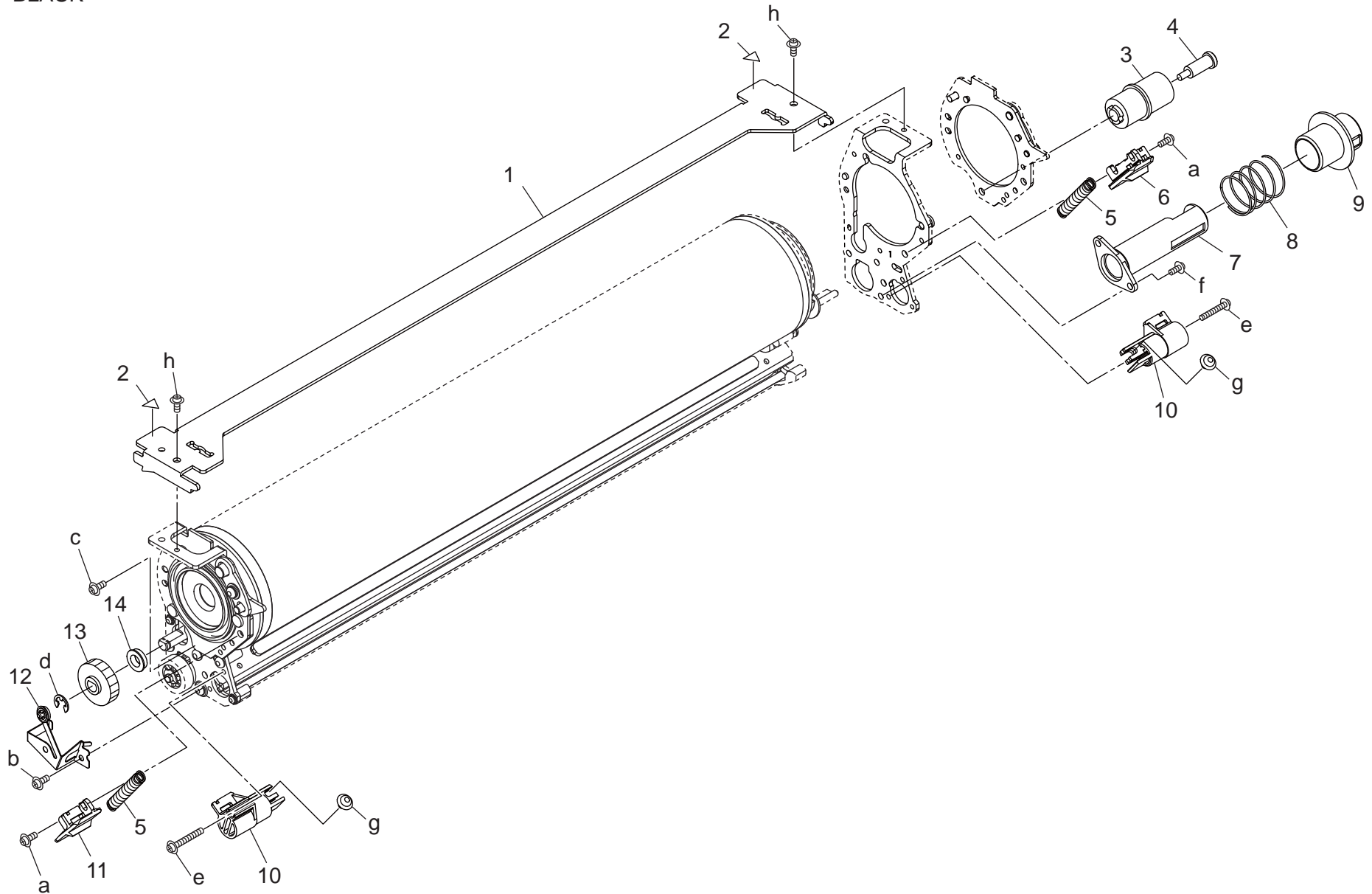
Key	Part No.	Description	Destinations	Class	QTY	Standard parts
1	A03U330203	Drum Stay /Upper		D	1	a-V129030803
2	A1RF945100	Replacement Label /1		D	2	b-V151031003
3	A03U334600	Coupling /A		C	1	c-V118030603
4	65AA20450	Coupling Shaft /A		D	1	d-V217040050
5	A1DU332500	Pressing Spring		D	2	e-V121031803
6	A1DU335200	Insulating Part /Rear		D	1	f-V145031003
7	65AA20040	COLLECTING PIPE		D	1	g-V121030403
8	65AA20300	TONER COLLECTING SPRING		C	1	h-V126030603
9	65AA20060	COLLECTING COVER		C	1	
10	A1DU331200	Support Part		D	2	
11	A1DU335100	Insulating Part /Front		D	1	
12	A1DUR72Q00	Drum Ground		C	1	
13	65AA77320	SCREW IDLING GEAR 32T		C	1	
14	A00J617800	BALL BEARING		B	1	



# PHOTO CONDUCTOR SECTION

BLACK

P 19



bizhub PRESS C6000/bizhub PRO C6000L

# PHOTO CONDUCTOR SECTION

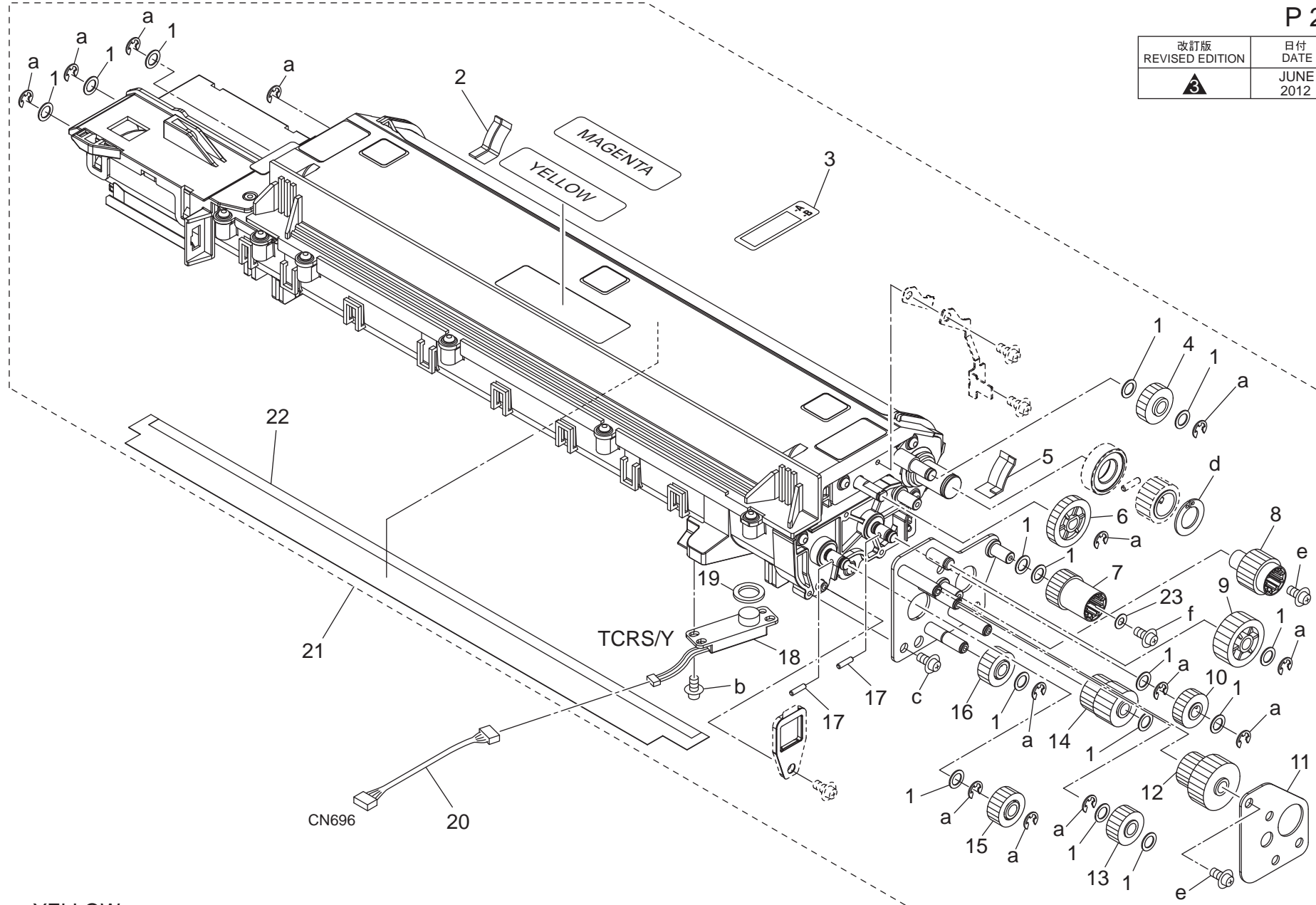
Key	Part No.	Description	Destinations	Class	QTY	Standard parts
1	A03U330203	Drum Stay /Upper		D	1	a-V129030803 b-V151031003 c-V118030603 d-V217040050 e-V121031803 f-V145031003 g-V121030403 h-V126030603
2	A1RF945100	Replacement Label /1		D	2	
3	A03U334600	Coupling /A		C	1	
4	65AA20450	Coupling Shaft /A		D	1	
5	A1DU332500	Pressing Spring		D	2	
6	A1DU335200	Insulating Part /Rear		D	1	
7	65AA20040	COLLECTING PIPE		D	1	
8	65AA20300	TONER COLLECTING SPRING		C	1	
9	65AA20060	COLLECTING COVER		C	1	
10	A1DU331200	Support Part		D	2	
11	A1DU335100	Insulating Part /Front		D	1	
12	A1DUR72Q00	Drum Ground		C	1	
13	65AA77320	SCREW IDLING GEAR 32T		C	1	
14	A00J617800	BALL BEARING		B	1	

bizhub PRESS C6000/bizhub PRO C6000L

# DEVELOPING SECTION

P 20

改訂版 REVISED EDITION	日付 DATE
<b>3</b>	JUNE 2012



YELLOW

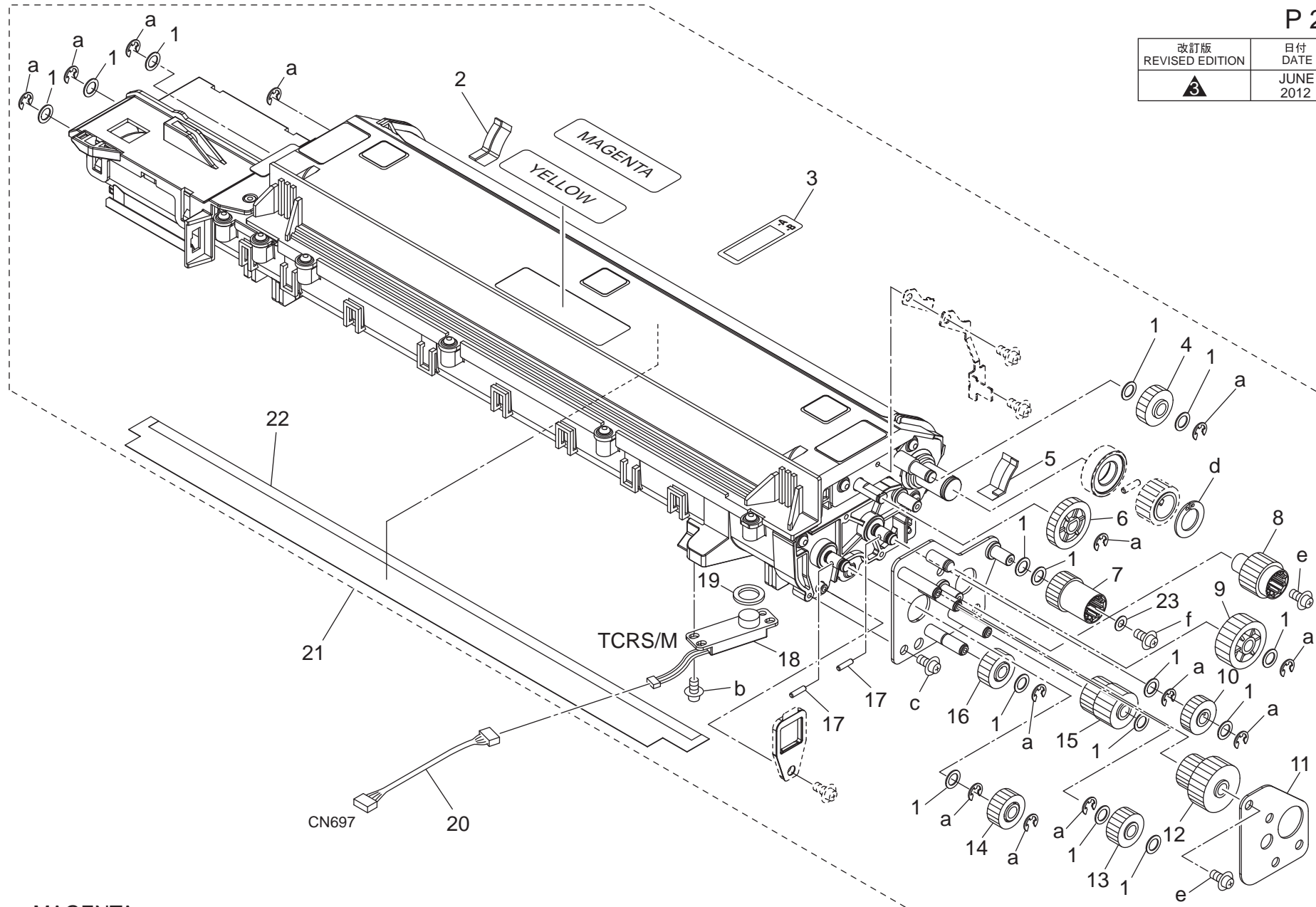
bizhub PRESS C6000/bizhub PRO C6000L

Key	Part No.	Description	Destinations	Class	QTY	Standard parts
1	40AA32320	TONER SUPPLY SPACER		C	15	a-V217040050 b-V145030603 c-V151030803 d-V223120050 e-V121030603 f-V114030616
2	A1DU380100	Preventing Pad /Front		D	1	
3	A1RF945501	Replacement Label /5		D	1	
4	A1DU389101	Developing Gear /2 16T		D	1	
5	A1DU380300	Preventing Pad /Rear		D	1	
6	A03U389400	DEVELOPING GEAR /3 23T		B	1	
7	A1DU372700	Coupling /Left		D	1	
8	A1DU372500	Coupling /Right		D	1	
9	A03U389900	SCREW IDLING GEAR /5 23 T		B	1	
10	A03U389200	SCREW DRIVE GEAR /LEFT 16T		B	1	
11	A03U372100	Drive Support Plate /2		D	1	
12	A1DU389800	Idling Gear /4 15/17T		D	1	
13	A1DU389702	Idling Gear /3 13T		D	1	
14	A1DU389501	Idling Gear /1 13/16T		D	1	
15	A03U389301	SCREW DRIVE GEAR /RIGHT 16T		B	1	
16	A03U389600	SCREW IDLING GEAR /2 16T		B	1	
17	56AA17531	PIN A D2X10		C	2	
18	A1DUM50800	Toner Sensor		C	1	
19	25SA30160	DEVELOPING DETECT SEAL		C	1	
20	A1DUN11400	Relay harness /4		D	1	
21	A1DUR70X66	Developer Unit / C		B	1	
22	A03U375701	Scatter Preventing Sheet		C	1	
23	56AA54640	SHAFT HOLDER REGULATING PLATE		D	1	

# DEVELOPING SECTION

P 21

改訂版 REVISED EDITION	日付 DATE
▲ 3	JUNE 2012



MAGENTA

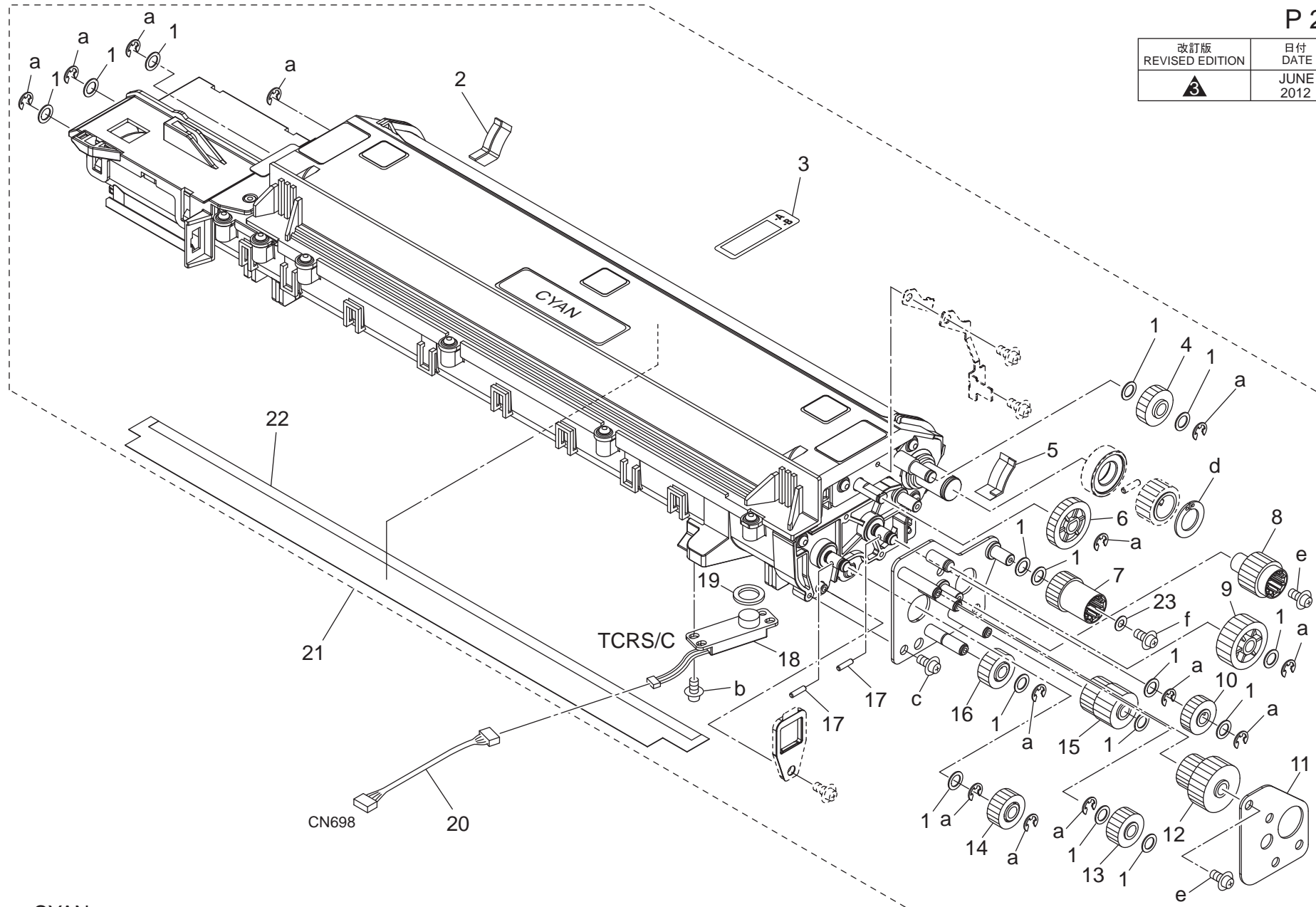
bizhub PRESS C6000/bizhub PRO C6000L

Key	Part No.	Description	Destinations	Class	QTY	Standard parts
1	40AA32320	TONER SUPPLY SPACER		C	15	a-V217040050
2	A1DU380100	Preventing Pad /Front		D	1	b-V145030603
3	A1RF945501	Replacement Label /5		D	1	c-V151030803
4	A1DU389101	Developing Gear /2 16T		D	1	d-V223120050
5	A1DU380300	Preventing Pad /Rear		D	1	e-V121030603
6	A03U389400	DEVELOPING GEAR /3 23T		B	1	f-V114030616
7	A1DU372700	Coupling /Left		D	1	
8	A1DU372500	Coupling /Right		D	1	
9	A03U389900	SCREW IDLING GEAR /5 23 T		B	1	
10	A03U389200	SCREW DRIVE GEAR /LEFT 16T		B	1	
11	A03U372100	Drive Support Plate /2		D	1	
12	A1DU389800	Idling Gear /4 15/17T		D	1	
13	A1DU389702	Idling Gear /3 13T		D	1	
14	A03U389301	SCREW DRIVE GEAR /RIGHT 16T		B	1	
15	A1DU389501	Idling Gear /1 13/16T		D	1	
16	A03U389600	SCREW IDLING GEAR /2 16T		B	1	
17	56AA17531	PIN A D2X10		C	2	
18	A1DUM50800	Toner Sensor		C	1	
19	25SA30160	DEVELOPING DETECT SEAL		C	1	
20	A1DUN11400	Relay harness /4		D	1	
21	A1DUR70X66	Developer Unit / C		B	1	
22	A03U375701	Scatter Preventing Sheet		C	1	
23	56AA54640	SHAFT HOLDER REGULATING PLATE		D	1	

# DEVELOPING SECTION

P 22

改訂版 REVISED EDITION	日付 DATE
▲ 3	JUNE 2012



CYAN

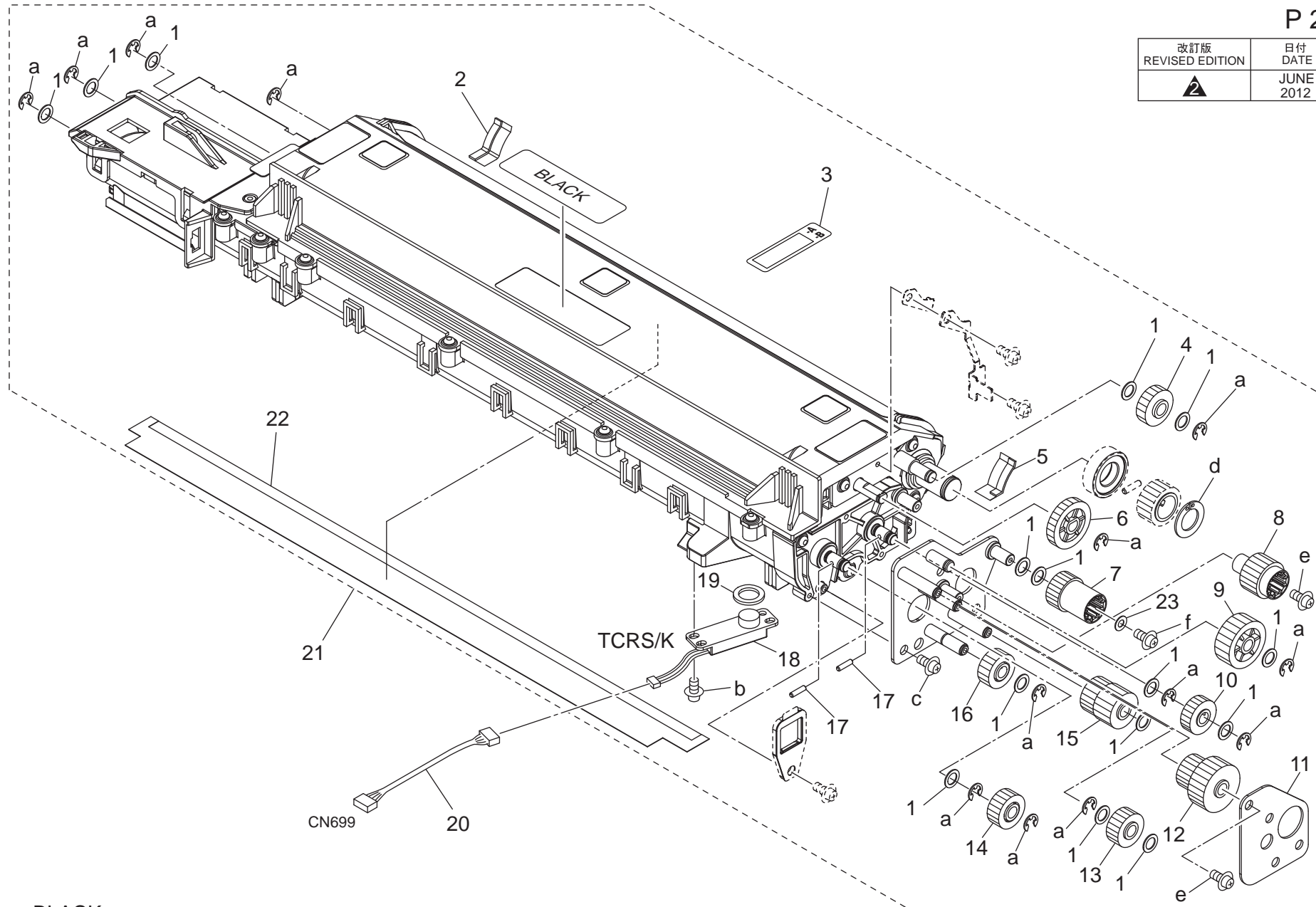
bizhub PRESS C6000/bizhub PRO C6000L

Key	Part No.	Description	Destinations	Class	QTY	Standard parts
1	40AA32320	TONER SUPPLY SPACER		C	15	a-V217040050
2	A1DU380100	Preventing Pad /Front		D	1	b-V145030603
3	A1RF945501	Replacement Label /5		D	1	c-V151030803
4	A1DU389101	Developing Gear /2 16T		D	1	d-V223120050
5	A1DU380300	Preventing Pad /Rear		D	1	e-V121030603
6	A03U389400	DEVELOPING GEAR /3 23T		B	1	f-V114030616
7	A1DU372700	Coupling /Left		D	1	
8	A1DU372500	Coupling /Right		D	1	
9	A03U389900	SCREW IDLING GEAR /5 23 T		B	1	
10	A03U389200	SCREW DRIVE GEAR /LEFT 16T		B	1	
11	A03U372100	Drive Support Plate /2		D	1	
12	A1DU389800	Idling Gear /4 15/17T		D	1	
13	A1DU389702	Idling Gear /3 13T		D	1	
14	A03U389301	SCREW DRIVE GEAR /RIGHT 16T		B	1	
15	A1DU389501	Idling Gear /1 13/16T		D	1	
16	A03U389600	SCREW IDLING GEAR /2 16T		B	1	
17	56AA17531	PIN A D2X10		C	2	
18	A1DUM50800	Toner Sensor		C	1	
19	25SA30160	DEVELOPING DETECT SEAL		C	1	
20	A1DUN11400	Relay harness /4		D	1	
21	A1DUR74K44	Developer Unit / Cyan		B	1	
22	A03U375701	Scatter Preventing Sheet		C	1	
23	56AA54640	SHAFT HOLDER REGULATING PLATE		D	1	



# DEVELOPING SECTION

改訂版 REVISED EDITION	日付 DATE
	JUNE 2012



BLACK

bizhub PRESS C6000/bizhub PRO C6000L

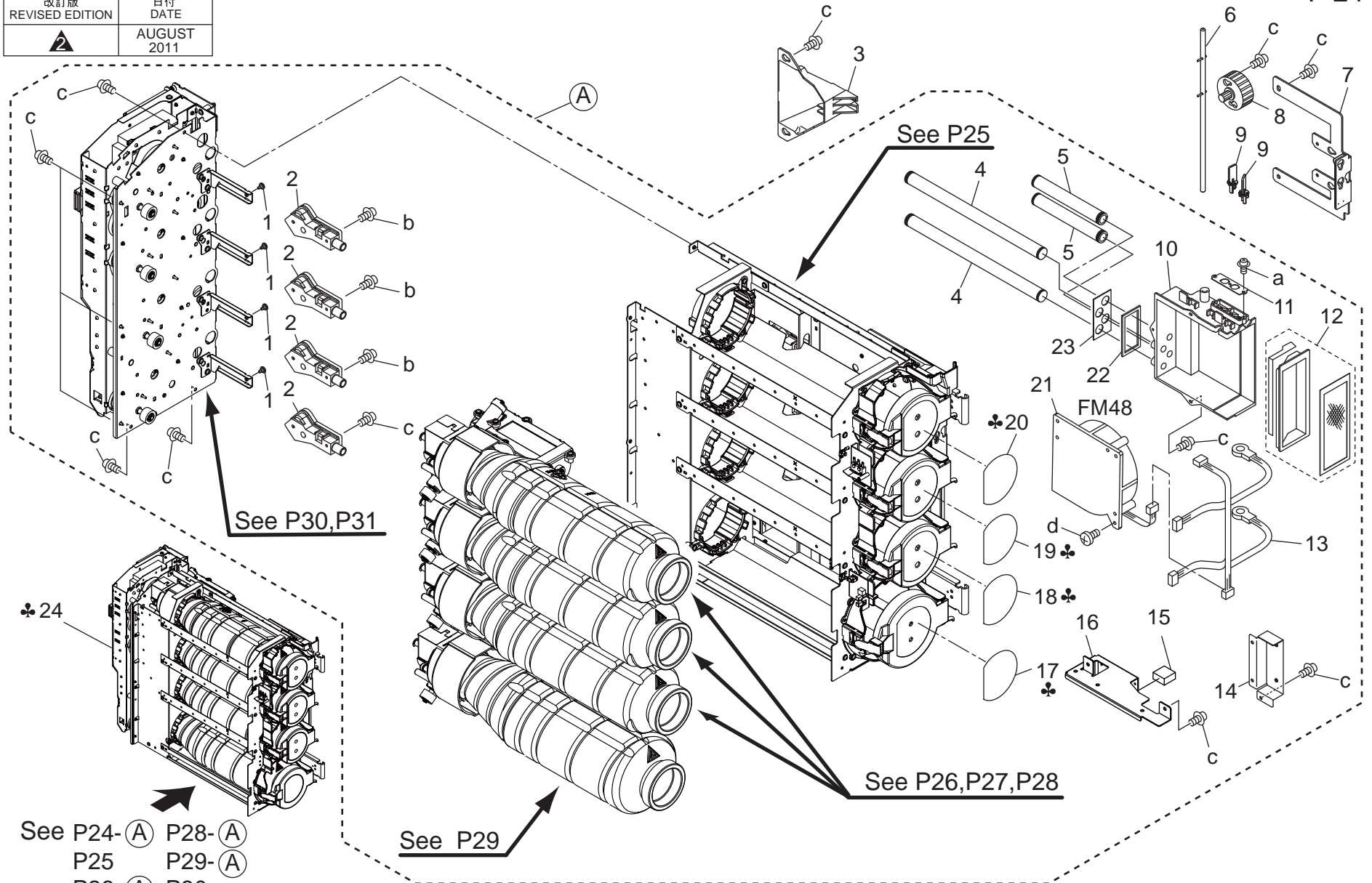
Key	Part No.	Description	Destinations	Class	QTY	Standard parts
1	40AA32320	TONER SUPPLY SPACER		C	15	a-V217040050
2	A1DU380100	Preventing Pad /Front		D	1	b-V145030603
3	A1RF945501	Replacement Label /5		D	1	c-V151030803
4	A1DU389101	Developing Gear /2 16T		D	1	d-V223120050
5	A1DU380300	Preventing Pad /Rear		D	1	e-V121030603
6	A03U389400	DEVELOPING GEAR /3 23T		B	1	f-V114030616
7	A1DU372700	Coupling /Left		D	1	
8	A1DU372500	Coupling /Right		D	1	
9	A03U389900	SCREW IDLING GEAR /5 23T		B	1	
10	A03U389200	SCREW DRIVE GEAR /LEFT 16T		B	1	
11	A03U372100	Drive Support Plate /2		D	1	
12	A1DU389800	Idling Gear /4 15/17T		D	1	
13	A1DU389702	Idling Gear /3 13T		D	1	
14	A03U389301	SCREW DRIVE GEAR /RIGHT 16T		B	1	
15	A1DU389501	Idling Gear /1 13/16T		D	1	
16	A03U389600	SCREW IDLING GEAR /2 16T		B	1	
17	56AA17531	PIN A D2X10		C	2	
18	A1DUM50800	Toner Sensor		C	1	
19	25SA30160	DEVELOPING DETECT SEAL		C	1	
20	A1DUN11400	Relay harness /4		D	1	
21	A1DUR72S33	Developer Unit / K		B	1	
22	A03U375701	Scatter Preventing Sheet		C	1	
23	56AA54640	SHAFT HOLDER REGULATING PLATE		D	1	



# TONER SUPPLY SECTION

改訂版 REVISED EDITION	日付 DATE
	AUGUST 2011

P 24



- See P24- (A) P28- (A)
- P25 P29- (A)
- P26- (A) P30
- P27- (A) P31

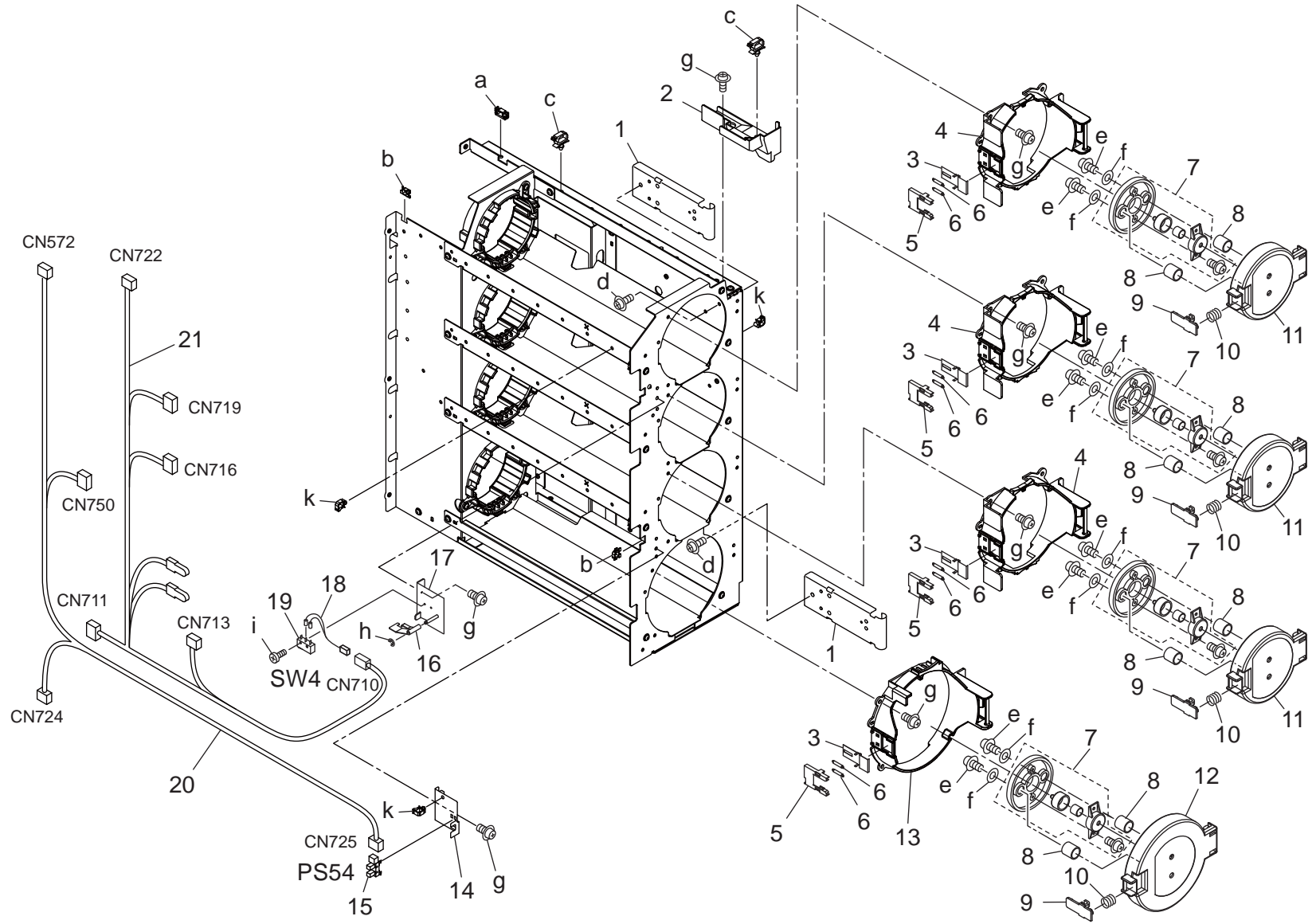
bizhub PRESS C6000/bizhub PRO C6000L

TONER SUPPLY SECTION

Key	Part No.	Description	Destinations	Class	QTY	Standard parts
1	55VA20680	SEPARATION POSITIONING SCREW		C	4	a-V151030803 b-V158030803 c-V127030603 d-V126041003
2	A1DUR71000	Charge Suction Assy		C	4	
3	A1DUR73J00	Developing Supply Assy		D	1	
4	65AA33040	Charge Suction Pipe /L		D	2	
5	65AA33050	Charge Suction Pipe /S		D	2	
6	A1DUR71700	Support Shaft		C	1	
7	65AA30701	Cartridge Support Rail		D	1	
8	65AA30910	DEVELOPING ROTARY JIG		D	1	
9	A1DUR71200	Chaging Cleaning Part Assy		B	2	
10	65AA33020E	Charge Suction Cover		D	1	
11	65AA33310F	Mounting Plate /2		D	1	
12	A1DUR71111	Filter Pressing Assy		A	1	
13	A1DUN14300	Toner Relay harness /2		D	1	
14	65AA33231D	Mounting Plate /1		D	1	
15	A03U413900	Ground Cushion		C	1	
16	65AA33070E	duct Mounting Plate		D	1	
17	A1DU944800	Toner supply Label /K	(C6000)	D	1	
17	A1DV947500	Toner supply Label /K	(C6000L)	D	1	
18	A1DU944700	Toner supply Label /C	(C6000)	D	1	
18	A1DV947400	Toner supply Label /C	(C6000L)	D	1	
19	A1DU944600	Toner supply Label /M	(C6000)	D	1	
19	A1DV947300	Toner supply Label /M	(C6000L)	D	1	
20	A1DU944500	Toner supply Label /Y	(C6000)	D	1	
20	A1DV947200	Toner supply Label /Y	(C6000L)	D	1	
21	65AA80590	MAIN BODY FAN		C	1	
22	65AA33150	FILTER SEALING PART/1		D	1	
23	65AA33160	FILTER SEALING PART/2		D	1	
24	A1DUR74B11	Toner Supply Unit(JP)	A(C6000)	I	1	
24	A1DUR74D11	Toner Supply Unit(EU)	C, D1, D3, E, F2, G 1, H, I, J, K(C6000 )	I	1	
24	A1DUR74C11	Toner Supply Unit(US)	B, G2(C6000)	I	1	
24	A1DVR70100	Toner Supply Unit(US)	B(C6000L)	I	1	
24	A1DVR70200	Toner Supply Unit(EU/JP)	A, C(C6000L)	I	1	

bizhub PRESS C6000/bizhub PRO C6000L

# TONER SUPPLY SECTION



bizhub PRESS C6000/bizhub PRO C6000L


# TONER SUPPLY SECTION

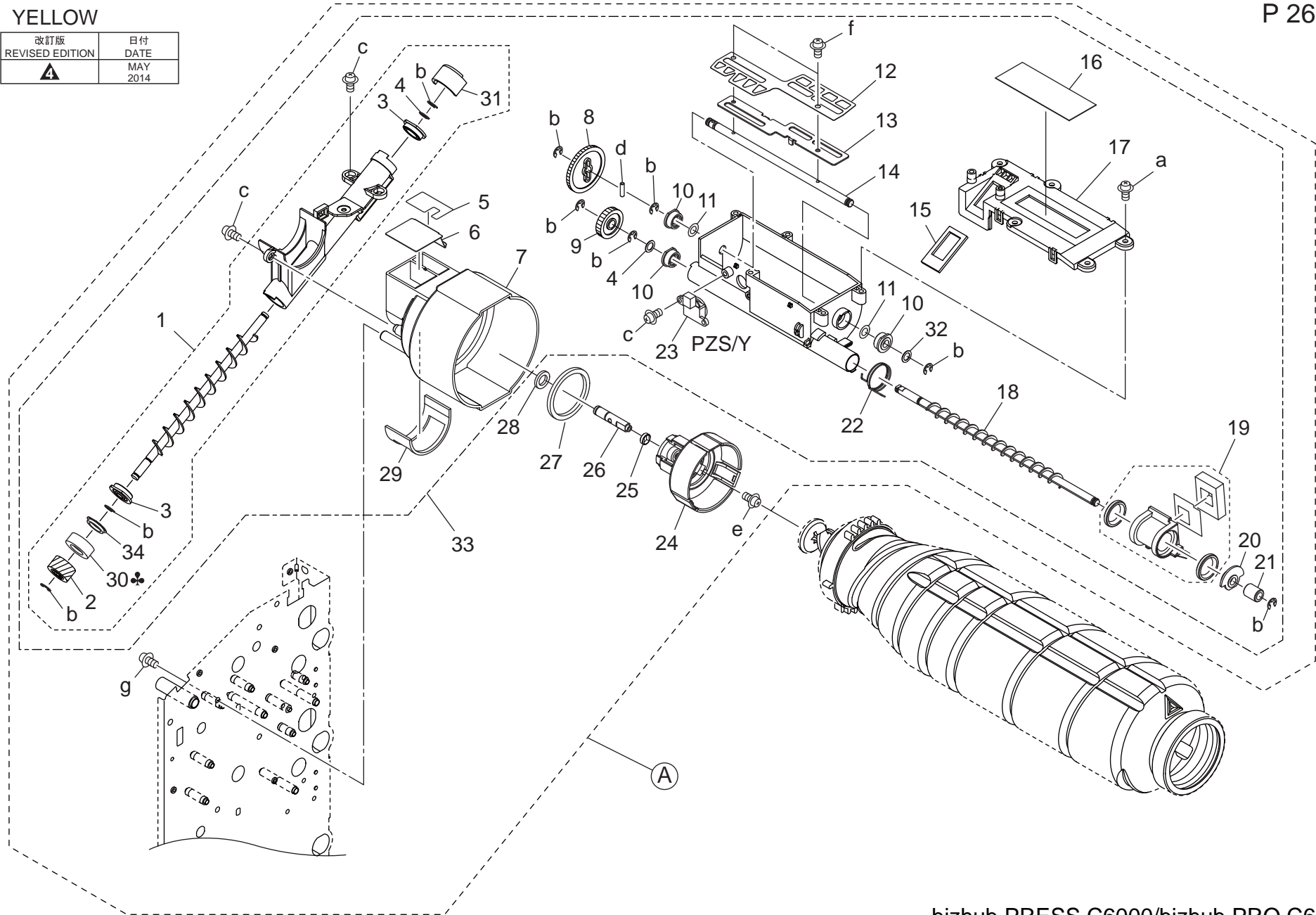
Key	Part No.	Description	Destinations	Class	QTY	Standard parts
1	65AA32160D	Toner supply Hinge		D	2	a-V570010057
2	A1DU401300	Guide Part /Upper		D	1	b-V570010050
3	26TA32960	CARTRIDGE REGULATING PLATE		C	4	c-V500010005
4	A1DU400100	Guide Part /Color		D	3	d-V127040803
5	26TA32990	COVER PART		C	4	e-V151040803
6	26TA32970	CARTRIDGE REGULATING SPRING		C	8	f-V207060003
7	A1DUR70Y00	Pressing Part Assy		D	4	g-V127030603
8	26TA32980	CARTRIDGE PRESSING SPRING 3		C	8	h-V217020050
9	40LA32850	CARTRIDGEPRESSINGHANDLE		C	4	i-V111020803
10	26NA32870	CARTRIDGE PRESSING SPRING 2		C	4	k-V500010020
11	A1DU404200	Pressing Pedestal /Color		D	3	
12	A1DU406800	Pressing Pedestal /Black		D	1	
13	A1DU406701	Guide Part /Black		D	1	
14	A1DU402600	Mounting Plate /1		D	1	
15	08AA85512	Photo Sensor		B	1	
16	A03U402100	SWITCH PLATE		D	1	
17	65AA-3970	INTERLOCK CAULKING ASSY		D	1	
18	65AA91100	INTER LOCK WIRING		D	1	
19	12QR86011	Interlock Switch		B	1	
20	A1DUN14700	Toner Drive harness /4		D	1	
21	A1DUN14500	Toner Drive harness /2		D	1	

bizhub PRESS C6000/bizhub PRO C6000L

# TONER SUPPLY SECTION

YELLOW

改訂版 REVISED EDITION	日付 DATE
	MAY 2014



bizhub PRESS C6000/bizhub PRO C6000L

# TONER SUPPLY SECTION


Key	Part No.	Description	Destinations	Class	QTY	Standard parts
1	A1DUR72V00	Toner Pipe /Y Assy		D	1	a-V151031003 b-V217040050 c-V158030803 d-V237201450 e-V127030603 f-V129030803 g-V151030803
2	56AA77330	SCREW GEAR 15T		C	1	
3	65AA32461	Screw Bushing /A		C	2	
4	40AA32320	TONER SUPPLY SPACER		C	2	
5	65AA33360	SEALING PART		D	1	
6	65AA32761	Seal Part /H		D	1	
7	65AA32110	Toner Supply Guide Part /A		D	1	
8	25AA77890	REGULATION GEAR 36T		C	1	
9	40AA77660	TONER SUPPLY GEAR F 28T		C	1	
10	65AA32501	BUSHING /B		C	3	
11	65AA33320	SCATTER PREVENTING PART 1		C	2	
12	65AA32430	TONER AGITATING SHEET		C	1	
13	65AA32030	TONER AGITATING PLATE		C	1	
14	65AA32020	Toner Agitating Shaft		D	1	
15	A1DU401800	Toner supply Seal /1		D	1	
16	65AA32950	TONER SEALING SHEET		D	1	
17	A1DUR72T00	Toner Supply Cover/1 Assy		D	1	
18	65AA32040	TONER SUPPLY SCREW		C	1	
19	A1DUR73000	Toner Supply Rotary Assy		C	1	
20	65AA32851	BUSHING /D		C	1	
21	65AA32940	BUSHING /E		C	1	
22	65AA32800	TONER SUPPLY OPEN SHUT SPRING		C	1	
23	40AA88031	Level Detection Sensor		C	1	
24	65AA32620H	Toner supply Holding Main body		D	1	
25	A1RF408201	Guide Collar		D	1	
26	A1DU409600	Toner supply Holding Shaft		D	1	
27	65AA32730	Toner Supply Holding Seal /A		D	1	
28	65AA33260	Toner Supply Holding Seal /B		D	1	
29	65AA32970	CONVEYING SEAL		C	1	
30	A1DU413702Old	Toner supply Sealing Part		D	1	
30	A50U413700	Toner supply Seal /Upper		D	1	
31	65AA33290	TONER SUPPLY SEAL PART		C	1	
32	40AA98020D	Paper exit Spacer		D	1	
33	A1DUR74X00	Toner Supply /Y		C	1	
34	A1DU414200	Toner supply Seal		D	1	

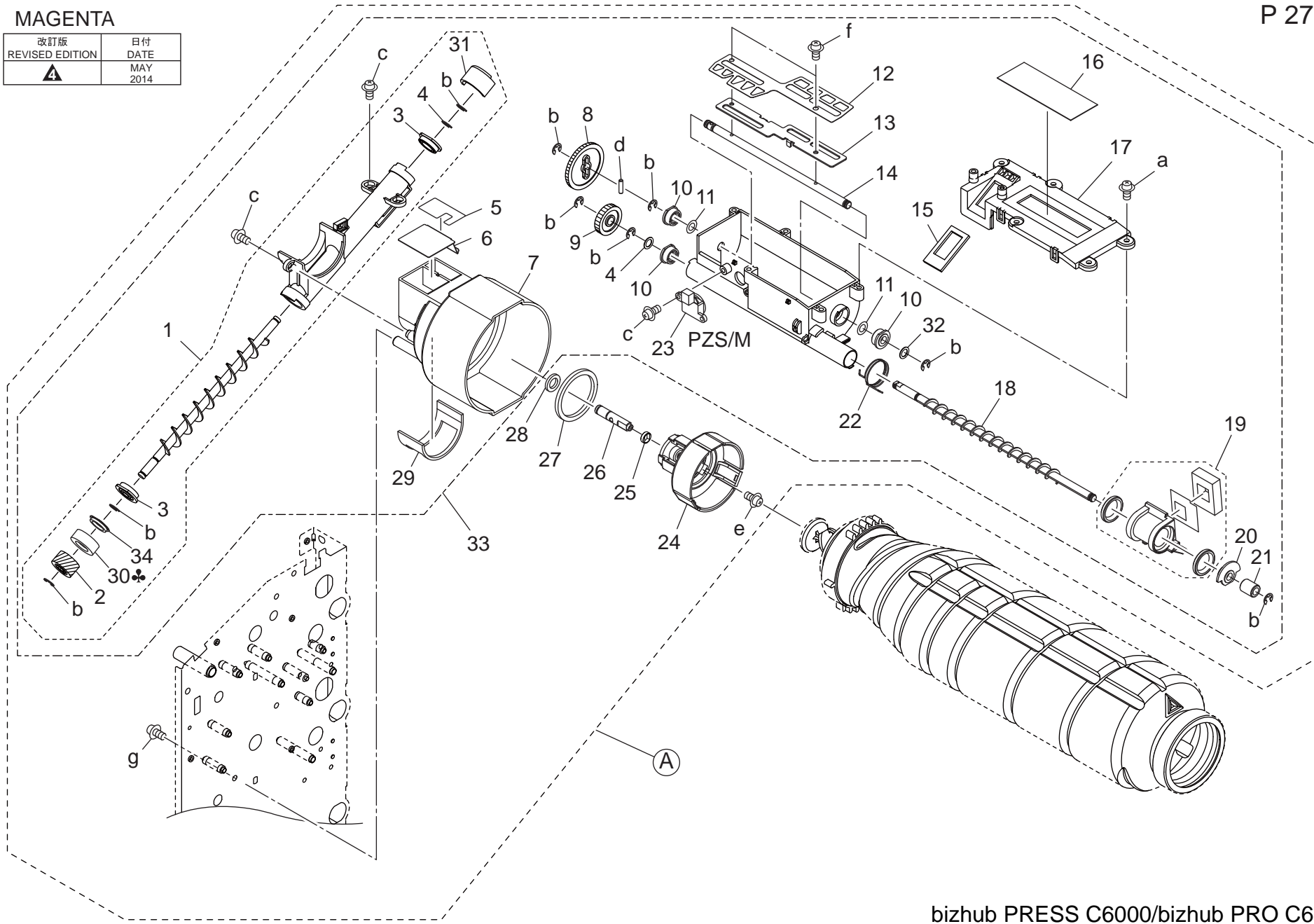
bizhub PRESS C6000/bizhub PRO C6000L



# TONER SUPPLY SECTION

MAGENTA

改訂版 REVISED EDITION	日付 DATE
	MAY 2014



bizhub PRESS C6000/bizhub PRO C6000L

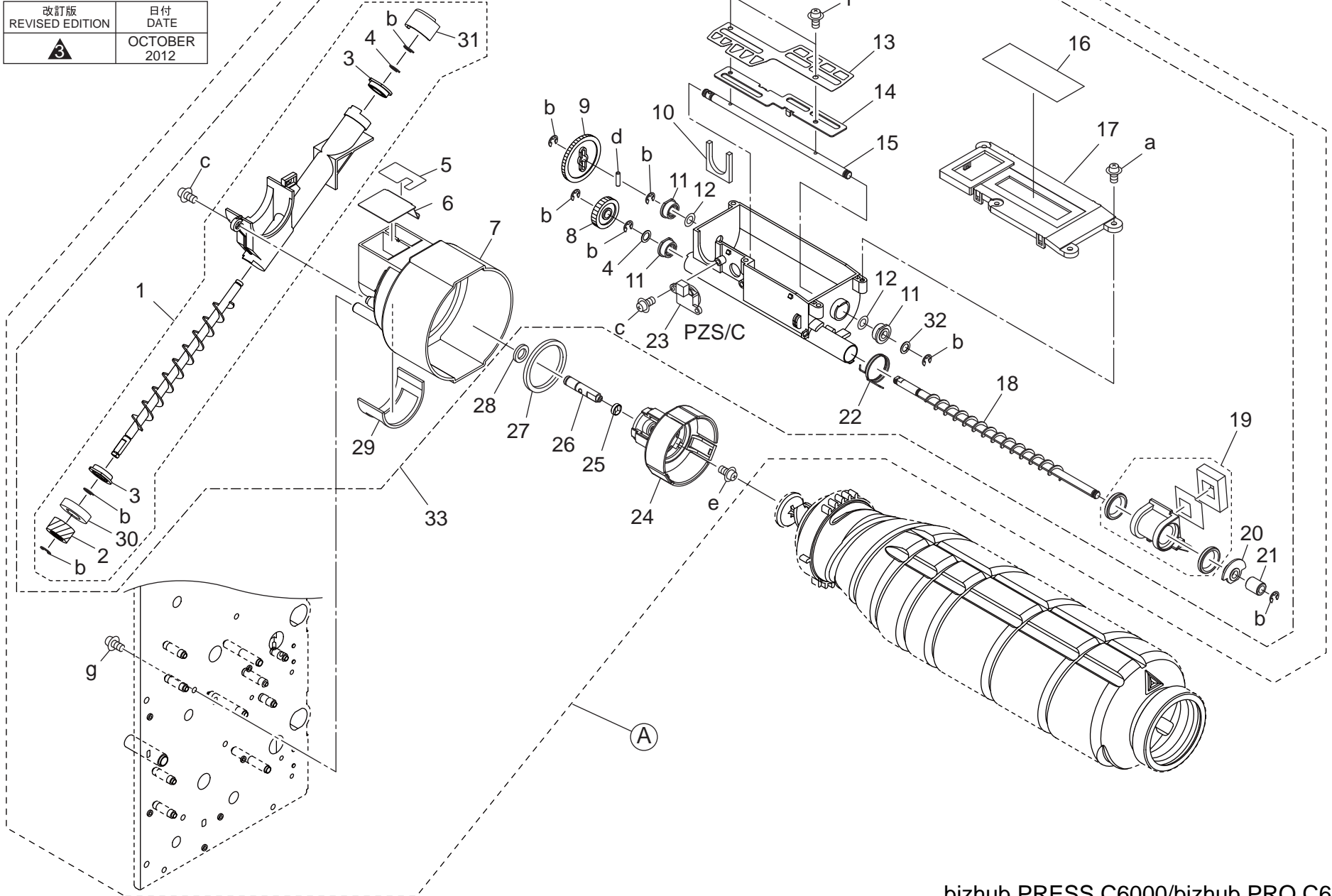
# TONER SUPPLY SECTION

Key	Part No.	Description	Destinations	Class	QTY	Standard parts
1	A1DUR72W00	Toner Pipe /M Assy		D	1	a-V151031003
2	56AA77330	SCREW GEAR 15T		C	1	b-V217040050
3	65AA32461	Screw Bushing /A		C	2	c-V158030803
4	40AA32320	TONER SUPPLY SPACER		C	2	d-V237201450
5	65AA33360	SEALING PART		D	1	e-V127030603
6	65AA32761	Seal Part /H		D	1	f-V129030803
7	65AA32110	Toner Supply Guide Part /A		D	1	g-V151030803
8	25AA77890	REGULATION GEAR 36T		C	1	
9	40AA77660	TONER SUPPLY GEAR F 28T		C	1	
10	65AA32501	BUSHING /B		C	3	
11	65AA33320	SCATTER PREVENTING PART 1		C	2	
12	65AA32430	TONER AGITATING SHEET		C	1	
13	65AA32030	TONER AGITATING PLATE		C	1	
14	65AA32020	Toner Agitating Shaft		D	1	
15	A1DU401800	Toner supply Seal /1		D	1	
16	65AA32950	TONER SEALING SHEET		D	1	
17	A1DUR72T00	Toner Supply Cover/1 Assy		D	1	
18	65AA32040	TONER SUPPLY SCREW		C	1	
19	A1DUR73000	Toner Supply Rotary Assy		C	1	
20	65AA32851	BUSHING /D		C	1	
21	65AA32940	BUSHING /E		C	1	
22	65AA32800	TONER SUPPLY OPEN SHUT SPRING		C	1	
23	40AA88031	Level Detection Sensor		C	1	
24	65AA32620H	Toner supply Holding Main body		D	1	
25	A1RF408201	Guide Collar		D	1	
26	A1DU409600	Toner supply Holding Shaft		D	1	
27	65AA32730	Toner Supply Holding Seal /A		D	1	
28	65AA33260	Toner Supply Holding Seal /B		D	1	
29	65AA32970	CONVEYING SEAL		C	1	
30	A1DU413702Old	Toner supply Sealing Part		D	1	
30	A50U413700	Toner supply Seal /Upper		D	1	
31	65AA33290	TONER SUPPLY SEAL PART		C	1	
32	40AA98020D	Paper exit Spacer		D	1	
33	A1DUR74Y00	Toner Supply /M		C	1	
34	A1DU414200	Toner supply Seal		D	1	

# TONER SUPPLY SECTION

CYAN

改訂版 REVISED EDITION	日付 DATE
3	OCTOBER 2012



bizhub PRESS C6000/bizhub PRO C6000L

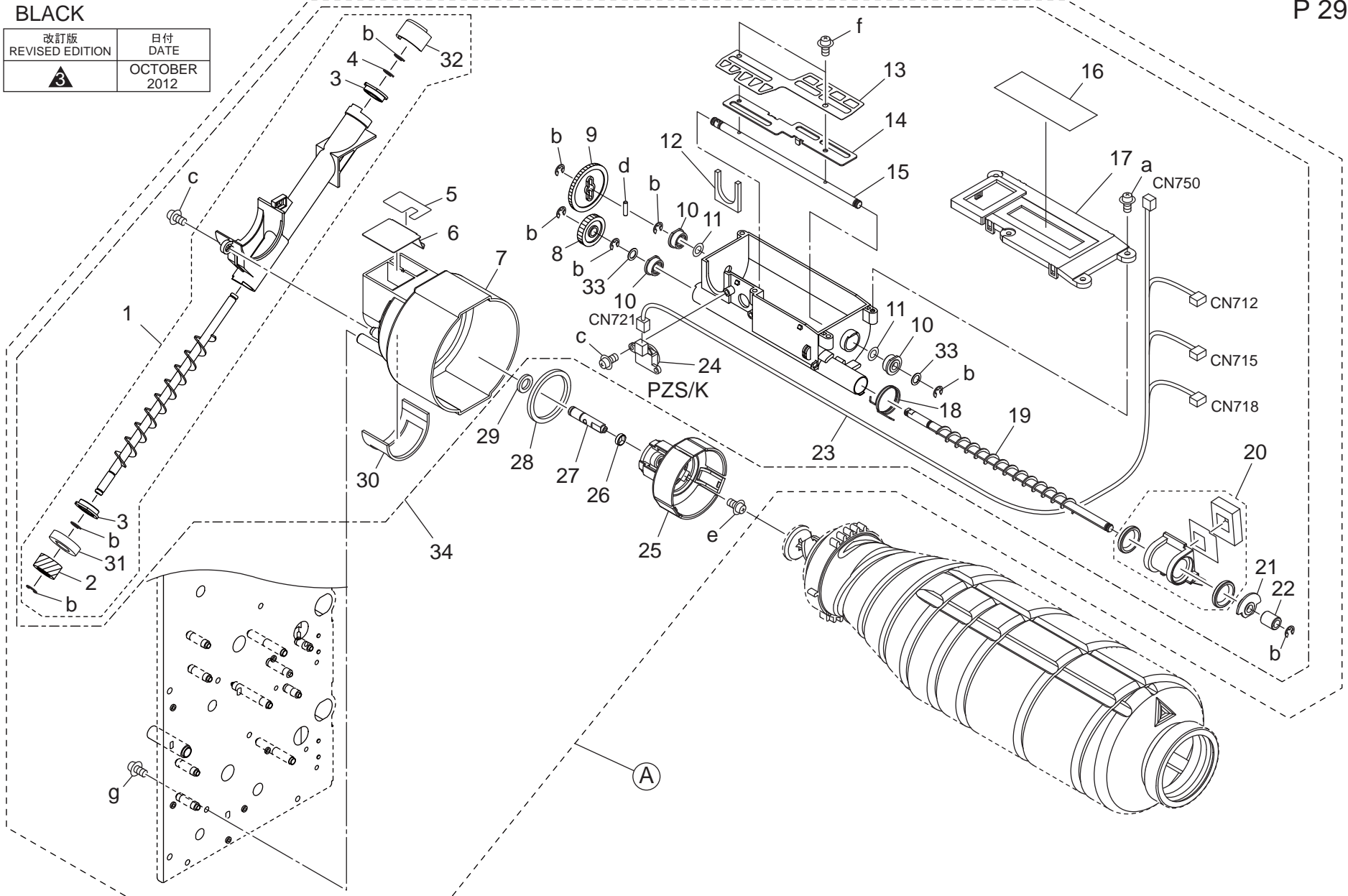
# TONER SUPPLY SECTION

Key	Part No.	Description	Destinations	Class	QTY	Standard parts
1	A1DUR72X00	Toner Pipe /C Assy		D	1	a-V151031003
2	56AA77330	SCREW GEAR 15T		C	1	b-V217040050
3	65AA32461	Screw Bushing /A		C	2	c-V158030803
4	40AA32320	TONER SUPPLY SPACER		C	1	d-V237201450
5	65AA33360	SEALING PART		D	1	e-V127030603
6	65AA32761	Seal Part /H		D	1	f-V129030803
7	65AA32110	Toner Supply Guide Part /A		D	1	g-V151030803
8	40AA77660	TONER SUPPLY GEAR F 28T		C	1	
9	25AA77890	REGULATION GEAR 36T		C	1	
10	65AA32470	SEALING PART /A		C	1	
11	65AA32501	BUSHING /B		C	3	
12	65AA33320	SCATTER PREVENTING PART 1		C	2	
13	65AA32430	TONER AGITATING SHEET		C	1	
14	65AA32030	TONER AGITATING PLATE		C	1	
15	65AA32020	Toner Agitating Shaft		D	1	
16	65AA32950	TONER SEALING SHEET		D	1	
17	A1DUR72U00	Toner Supply Cover/2 Assy		D	1	
18	65AA32040	TONER SUPPLY SCREW		C	1	
19	A1DUR73000	Toner Supply Rotary Assy		C	1	
20	65AA32851	BUSHING /D		C	1	
21	65AA32940	BUSHING /E		C	1	
22	65AA32800	TONER SUPPLY OPEN SHUT SPRING		C	1	
23	40AA88031	Level Detection Sensor		C	1	
24	65AA32620H	Toner supply Holding Main body		D	1	
25	A1RF408201	Guide Collar		D	1	
26	A1DU409600	Toner supply Holding Shaft		D	1	
27	65AA32730	Toner Supply Holding Seal /A		D	1	
28	65AA33260	Toner Supply Holding Seal /B		D	1	
29	65AA32970	CONVEYING SEAL		C	1	
30	A1DU413702	Toner supply Sealing Part		D	1	
31	65AA33290	TONER SUPPLY SEAL PART		C	1	
32	40AA98020D	Paper exit Spacer		D	2	
33	A1DUR75000	Toner Supply /C		C	1	

# TONER SUPPLY SECTION

BLACK

改訂版 REVISED EDITION	日付 DATE
<b>3</b>	OCTOBER 2012

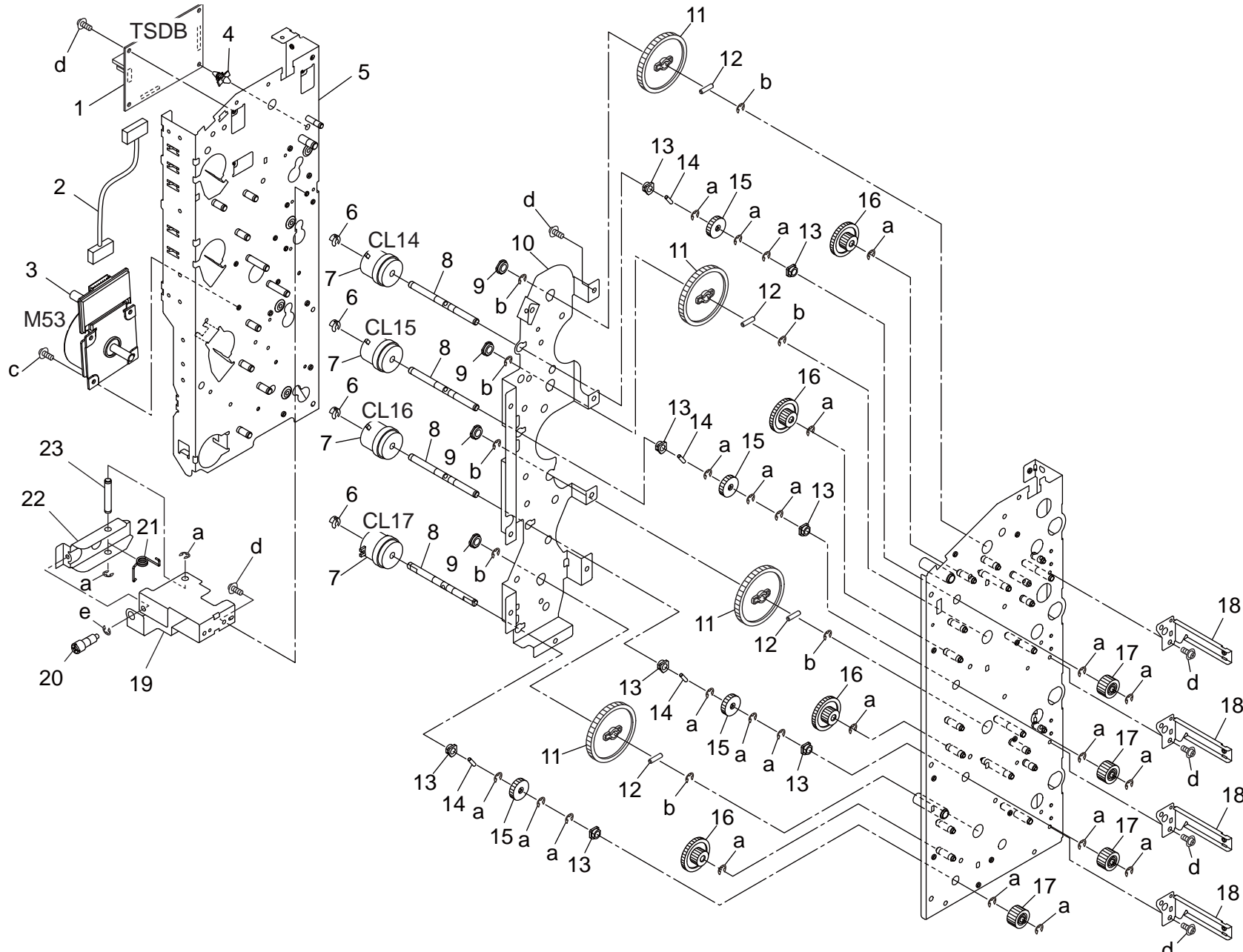


bizhub PRESS C6000/bizhub PRO C6000L

# TONER SUPPLY SECTION

Key	Part No.	Description	Destinations	Class	QTY	Standard parts
1	A1DUR72Y00	Toner Pipe /K Assy		D	1	a-V151031003
2	56AA77330	SCREW GEAR 15T		C	1	b-V217040050
3	65AA32461	Screw Bushing /A		C	2	c-V158030803
4	40AA32320	TONER SUPPLY SPACER		C	1	d-V237201450
5	65AA33360	SEALING PART		D	1	e-V127030603
6	65AA32761	Seal Part /H		D	1	f-V129030803
7	65AA32110	Toner Supply Guide Part /A		D	1	g-V151030803
8	40AA77660	TONER SUPPLY GEAR F 28T		C	1	
9	25AA77890	REGULATION GEAR 36T		C	1	
10	65AA32501	BUSHING /B		C	3	
11	65AA33320	SCATTER PREVENTING PART 1		C	2	
12	65AA32470	SEALING PART /A		C	1	
13	65AA32430	TONER AGITATING SHEET		C	1	
14	65AA32030	TONER AGITATING PLATE		C	1	
15	65AA32020	Toner Agitating Shaft		D	1	
16	65AA32950	TONER SEALING SHEET		D	1	
17	A1DUR72U00	Toner Supply Cover/2 Assy		D	1	
18	65AA32800	TONER SUPPLY OPEN SHUT SPRING		C	1	
19	65AA32040	TONER SUPPLY SCREW		C	1	
20	A1DUR73000	Toner Supply Rotary Assy		C	1	
21	65AA32851	BUSHING /D		C	1	
22	65AA32940	BUSHING /E		C	1	
23	A1DUN14201	Toner Relay harness /3		D	1	
24	40AA88031	Level Detection Sensor		C	1	
25	65AA32620H	Toner supply Holding Main body		D	1	
26	A1RF408201	Guide Collar		D	1	
27	A1DU409600	Toner supply Holding Shaft		D	1	
28	65AA32730	Toner Supply Holding Seal /A		D	1	
29	65AA33260	Toner Supply Holding Seal /B		D	1	
30	65AA32970	CONVEYING SEAL		C	1	
31	A1DU413702	Toner supply Sealing Part		D	1	
32	65AA33290	TONER SUPPLY SEAL PART		C	1	
33	40AA98020D	Paper exit Spacer		D	2	
34	A1DUR75100	Toner Supply /K		C	1	

# TONER SUPPLY SECTION



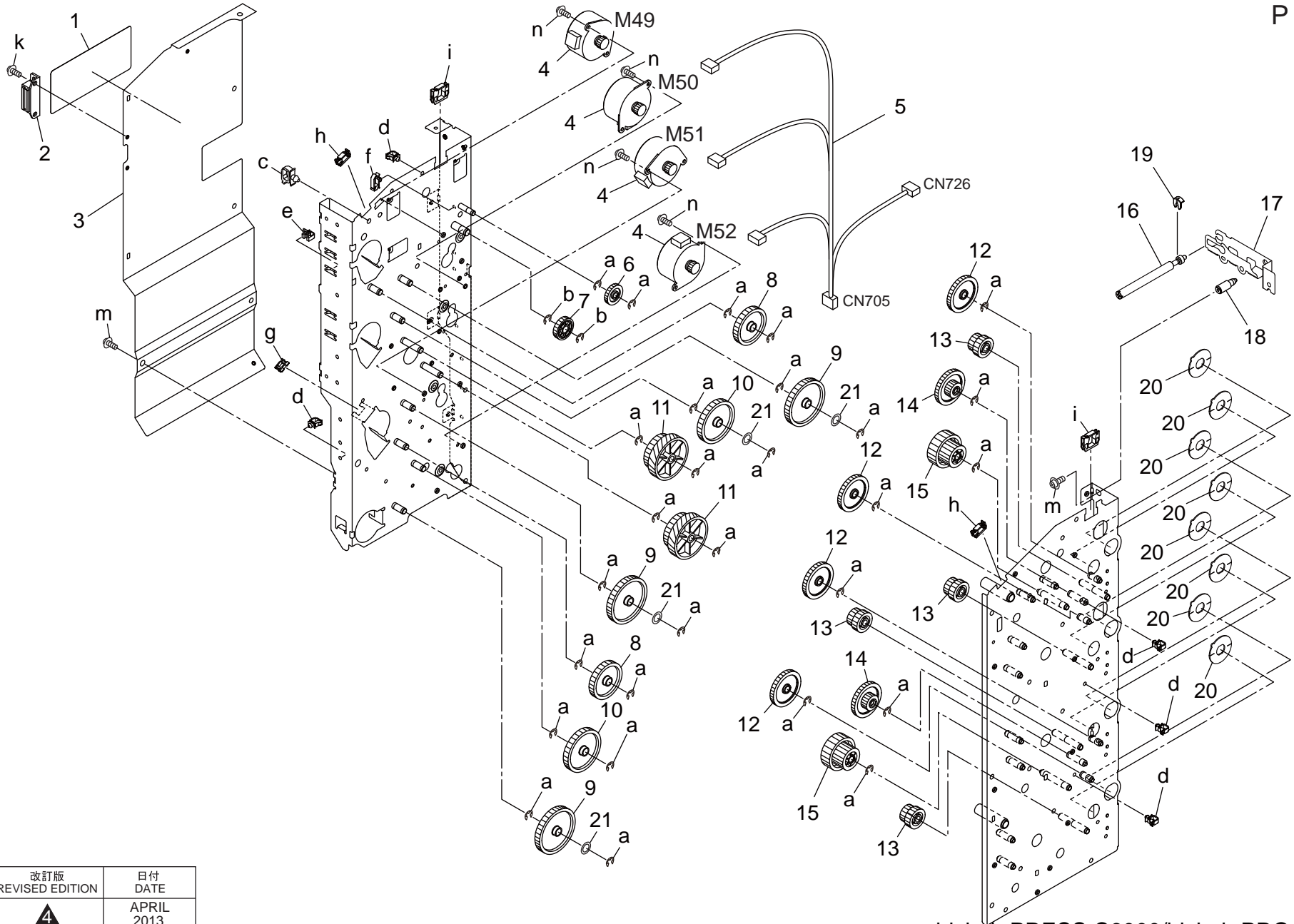
bizhub PRESS C6000/bizhub PRO C6000L

# TONER SUPPLY SECTION

Key	Part No.	Description	Destinations	Class	QTY	Standard parts
1	65AA-9061E	Toner Driving Board Assy		B	1	a-V217040050 b-V217050050 c-V118030403 d-V127030603 e-V217060050
2	A1DUN14600	Toner Drive harness /3		D	1	
3	A0R5M10300	DC Brushless motor /30		B	1	
4	V502010044	PCB Support		D	1	
5	A1DUF40100	CAULKING B		D	1	
6	396040681	STOPPER RING		B	4	
7	9J07M20100	CLUTCH		C	4	
8	A1DU402700	Shaft /G		D	4	
9	26NA32660	TONER SUPPLY SHAFT HOLDER		C	4	
10	A1DU406000	Drive Plate /4		D	1	
11	65AA77390	Toner Supply Gear /B 56T		C	4	
12	56AA17461	PIN A		B	4	
13	466076020	PAPER FEED SHAFT HOLDER		B	8	
14	56AA17471	PIN B 3X12		C	4	
15	65AA78040	AGITATING GEAR A 18T		C	4	
16	25BA77171	Toner Supply Gear /2 13/31T		C	4	
17	56AA77330	SCREW GEAR 15T		C	4	
18	A1DU409800	Regulating Plate /Rear		D	4	
19	65AA32720D	LOCKING PLATE /A		D	1	
20	A03U403300	Fixing Screw		C	1	
21	65AA32710	TONER SUPPLY LOCK SPRING		C	1	
22	65AA32890	LOCKING PLATE /B		C	1	
23	65AA32700D	TONER SUPPLY FULCRUM SHAFT		D	1	



# TONER SUPPLY SECTION



改訂版 REVISED EDITION	日付 DATE
▲ 4	APRIL 2013

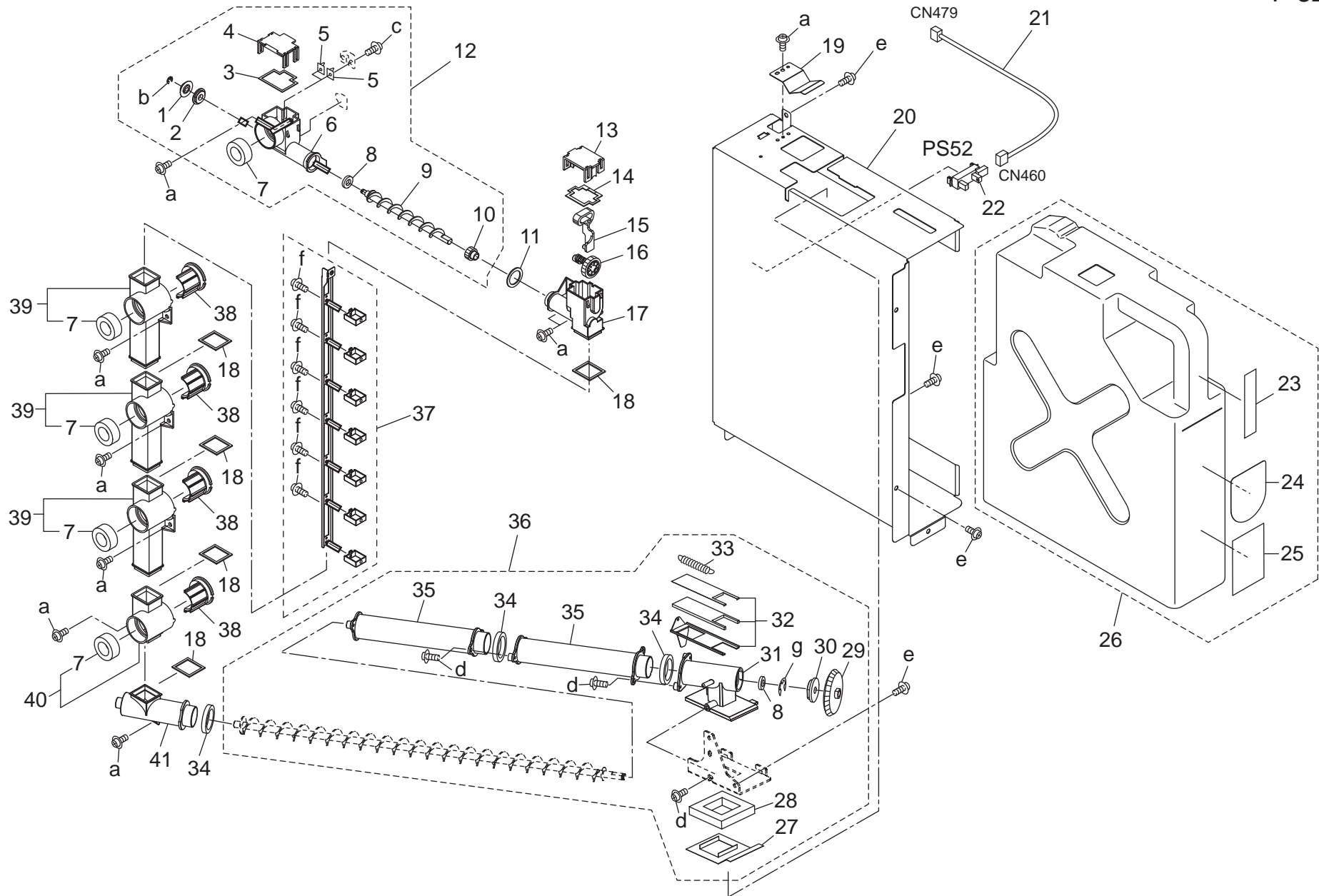
bizhub PRESS C6000/bizhub PRO C6000L

# TONER SUPPLY SECTION

Key	Part No.	Description	Destinations	Class	QTY	Standard parts
1	56UA97300	Laser Caution Label /1		C	1	a-V217040050
2	07BA12352	Magnet Catch		C	1	b-V217050050
3	A1DU401700	Drive Cover		D	1	c-V500010005
4	A03UM10400	PM Stepping motor /1		C	4	d-V500010020
5	A1DUN14400	Toner Drive harness /1		D	1	e-V500010057
6	08AA77360	TONER SUPPLY GEAR F 24T		C	1	f-V500010061
7	A0VT814900	Gear 26T		D	1	g-V570010050
8	A1DU420400	Toner supply Gear /4 49T		C	2	h-V570010057
9	A1DU420600	Toner supply Gear /6 62T		C	3	i-V570010060
10	A1DU420700	Toner supply Gear /7 57T		C	2	k-V126030603
11	A1DU420300	Toner supply Gear /3 46/82T		C	2	m-V127030603
12	A1DU420200	Toner supply Gear /2 35T		C	4	n-V118030403
13	A03U459900	Toner supply Gear /C 24/33T		C	4	
14	35EA77151	BY-PASS IDLING GEAR 14/34T		C	2	
15	A1DU420500	Toner supply Gear /5 44T		C	2	
16	A1DU404100Old	Fixing Screw /Upper		D	1	
16	A1DU404101	Fixing Screw /Upper		D	1	
17	A1DU403500	Support Plate		D	1	
18	A1DU404500	Positioning Shaft		D	1	
19	56AA40490	SHAFT STOPPER 4		C	1	
20	A1DU413800	Sealing Part /2		D	8	
21	65AA33270	SPACER 2		D	4	

bizhub PRESS C6000/bizhub PRO C6000L

# TONER COLLECTING SECTION



bizhub PRESS C6000/bizhub PRO C6000L

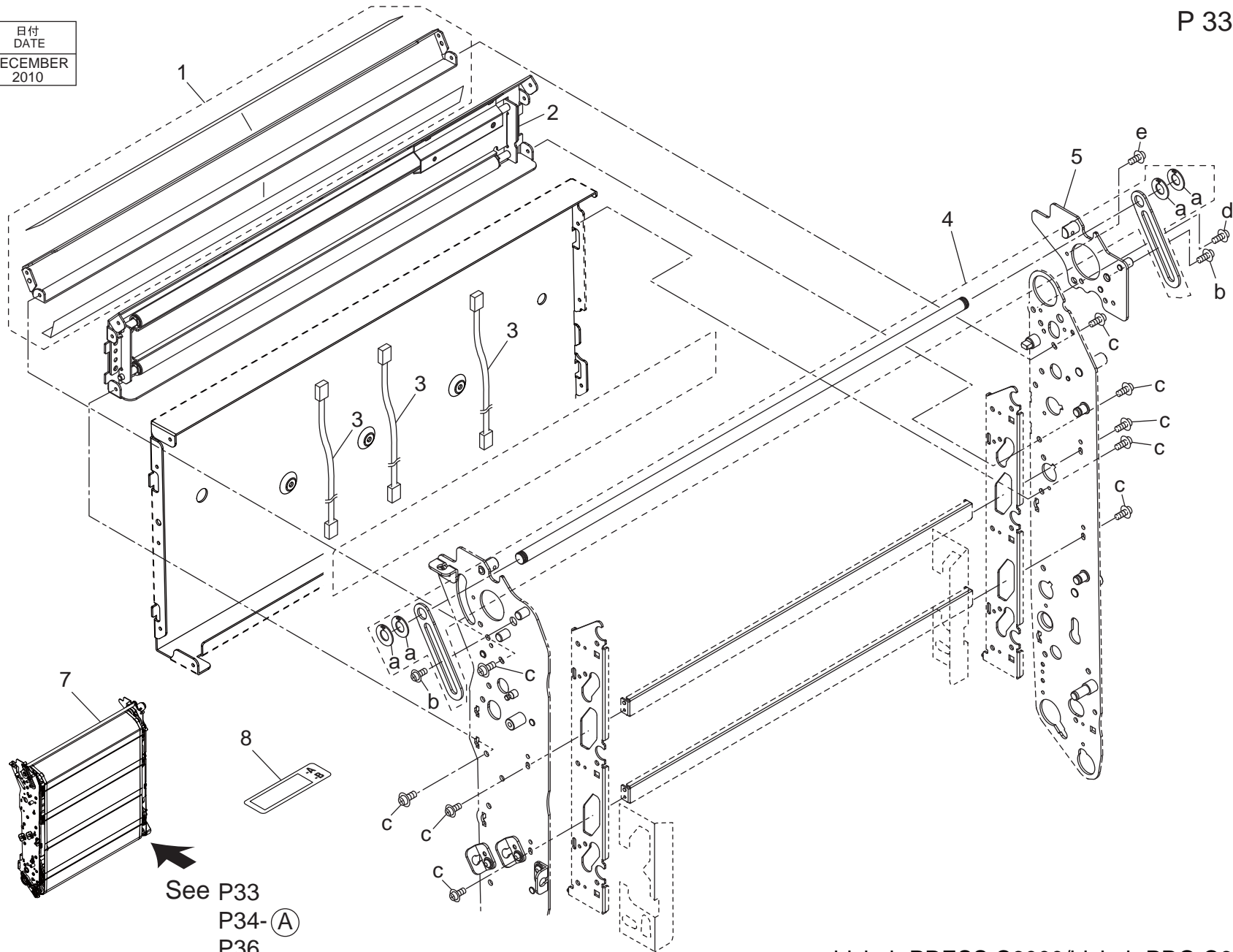
# TONER COLLECTING SECTION

Key	Part No.	Description	Destinations	Class	QTY	Standard parts
1	65AA77840	TONER COLLECTING GEAR 2 14T	トナー回収ギア 2 1 4 T	C	1	a-V121030403 b-V217030050 c-V145020403 d-V158030803 e-V121030603 f-V118020303 g-V217040050
2	65AA75070	TONER COLLECTING BUSHING/2	トナー回収軸受 2	C	1	
3	65AA24400	TONER COLLECTING SEAL 4	トナー回収シール 4	C	1	
4	65AA24210	COLLECTING PIPE 7	回収パイプ 7	C	1	
5	65AA24440	TONER DRIVING PART 2	トナー駆動部材 2	C	2	
6	65AA24200	COLLECTING PIPE 6	回収パイプ 6	C	1	
7	65AA24330	Toner Collecting Seal /3	トナー回収シール / 3	C	5	
8	65AA24060	TONER COLLECTING SEAL 1	トナー回収シール 1	C	2	
9	65AA24140	TONER COLLECTING SCREW 1	トナー回収スクリュー 1	C	1	
10	65AA77960	TONER COLLECTING GEAR 4 13T	トナー回収ギア 4 1 3 T	C	1	
11	65AA24430	TONER COLLECTING SEAL 7	トナー回収シール 7	C	1	
12	A1DUR72800	Collect Pipe/6 Assy	回収パイプ / 6 A S S Y	C	1	
13	65AA24130	CONNECTING COVER	連結カバー	C	1	
14	65AA24310	TONER COLLECTING SEAL 2	トナー回収シール 2	C	1	
15	65AA24120	Rocking Cam	揺動カム	C	1	
16	65AA77970	TONER COLLECTING GEAR 5 24T	トナー回収ギア 5 2 4 T	C	1	
17	65AA24220	COLLECTING PIPE 8	回収パイプ 8	C	1	
18	65AA24410	TONER COLLECTING SEAL 5	トナー回収シール 5	C	5	
19	65AA24360	TONER COLLECTING SPRING 2	トナー回収バネ 2	D	1	
20	65AA24260E	Collecting Cover	回収カバー	D	1	
21	65AA90920E	TONER DETECTION WIRING /2	トナー検知束線 / 2	D	1	
22	25BA85541	PHOTO SENSOR 1	フォトセンサ 1	C	1	
23	A03U946700	Collection Label /2	回収ラベル / 2	D	1	
24	65AA97340	TONER COLLECTING LABEL /1	トナー回収ラベル / 1	C	1	
25	A03U942601	Caution Label /2	注意ラベル / 2	C	1	
26	A1DUR70W00	Toner Collecting Box Assy	トナー回収箱 A S S Y	A	1	A, D1, D3, E, F2, G 1, G2, H, I, J, K
26	A03UR70200	TONER COLLECTING BOX ASSY	トナー回収箱 A S S Y	A	1	B, C
27	65AA24250	OPEN SHUT PART 4	開閉部材 4	C	1	
28	65AA24240	OPEN SHUT PART 3	開閉部材 3	C	1	
29	65AA77850	TONER COLLECTING GEAR 3 27T	トナー回収ギア 3 2 7 T	C	1	
30	65AA75060	Toner Collecting Bushing /1	トナー回収軸受 / 1	C	1	
31	65AA24080	COLLECTING PIPE 5	回収パイプ 5	C	1	
32	A1DUR72R00	Open/Shut Part/6 Assy	開閉部材 / 6 部組	C	1	
33	65AA24340	TONER COLLECTING SPRING	トナー回収バネ	C	1	
34	65AA24420	TONER COLLECTING SEAL 6	トナー回収シール 6	C	3	
35	65AA24030	COLLECTING PIPE 1	回収パイプ 1	C	2	
36	A1DUR70V00	Toner Collecting Unit	トナー回収ユニット	C	1	
37	A1DUR72900	Toner Rock Plate Assy	トナー揺動板 A S S Y	C	1	
38	65AA24040	COLLECTING PIPE 2	回収パイプ 2	C	4	
39	A1DUR72B00	Collect Pipe/3 Assy	回収パイプ / 3 A S S Y	C	3	
40	A1DUR72A00	Collect Pipe Assy	回収パイプ A S S Y	C	1	
41	65AA24070	Collecting Pipe /4	回収パイプ / 4	C	1	

bizhub PRESS C6000/bizhub PRO C6000L

# INTERMEDIATE TRANSFER SECTION

改訂版 REVISED EDITION	日付 DATE
	DECEMBER 2010



See P33  
P34- (A)  
P36

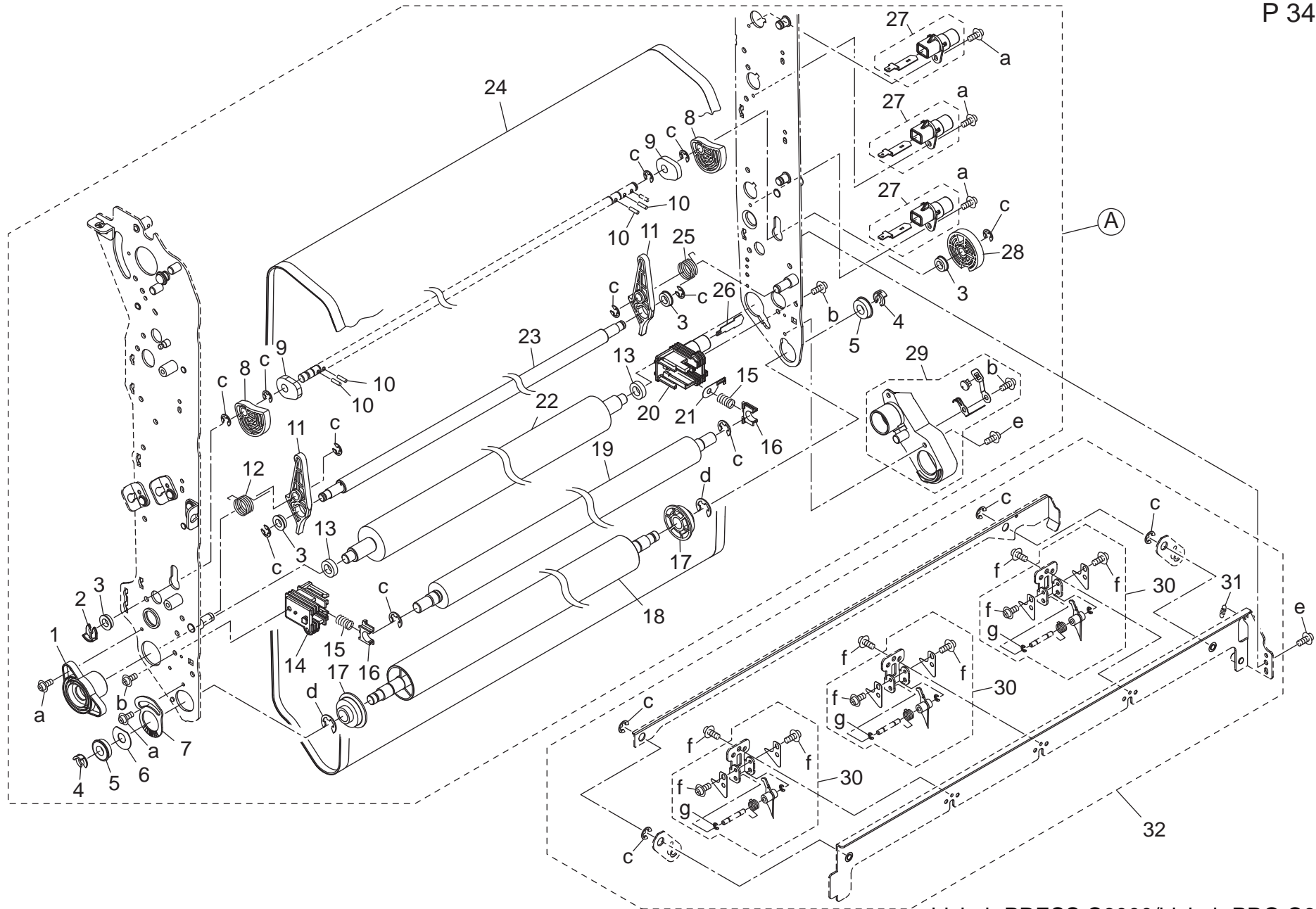
bizhub PRESS C6000/bizhub PRO C6000L

# INTERMEDIATE TRANSFER SECTION

Key	Part No.	Description	Destinations	Class	QTY	Standard parts
1	A1DUR73200	Belt Support Shaft Assy		D	1	a-V223080004 b-V121040403 c-V121030403 d-V121030603 e-V121031203
2	A1DUR73100	Mounting Plate Assy		C	1	
3	65AA90291	TRANSFER WIRE 1		D	3	
4	A1DUR73400	Handle Assy		D	1	
5	65AAR74300	CLEANING FIXING PLATE CAULKING		C	1	
7	A1DUR71444	Intermediate Transfer Assy		S	1	
8	A1RF945501	Replacement Label /5		D	1	

bizhub PRESS C6000/bizhub PRO C6000L

# INTERMEDIATE TRANSFER SECTION



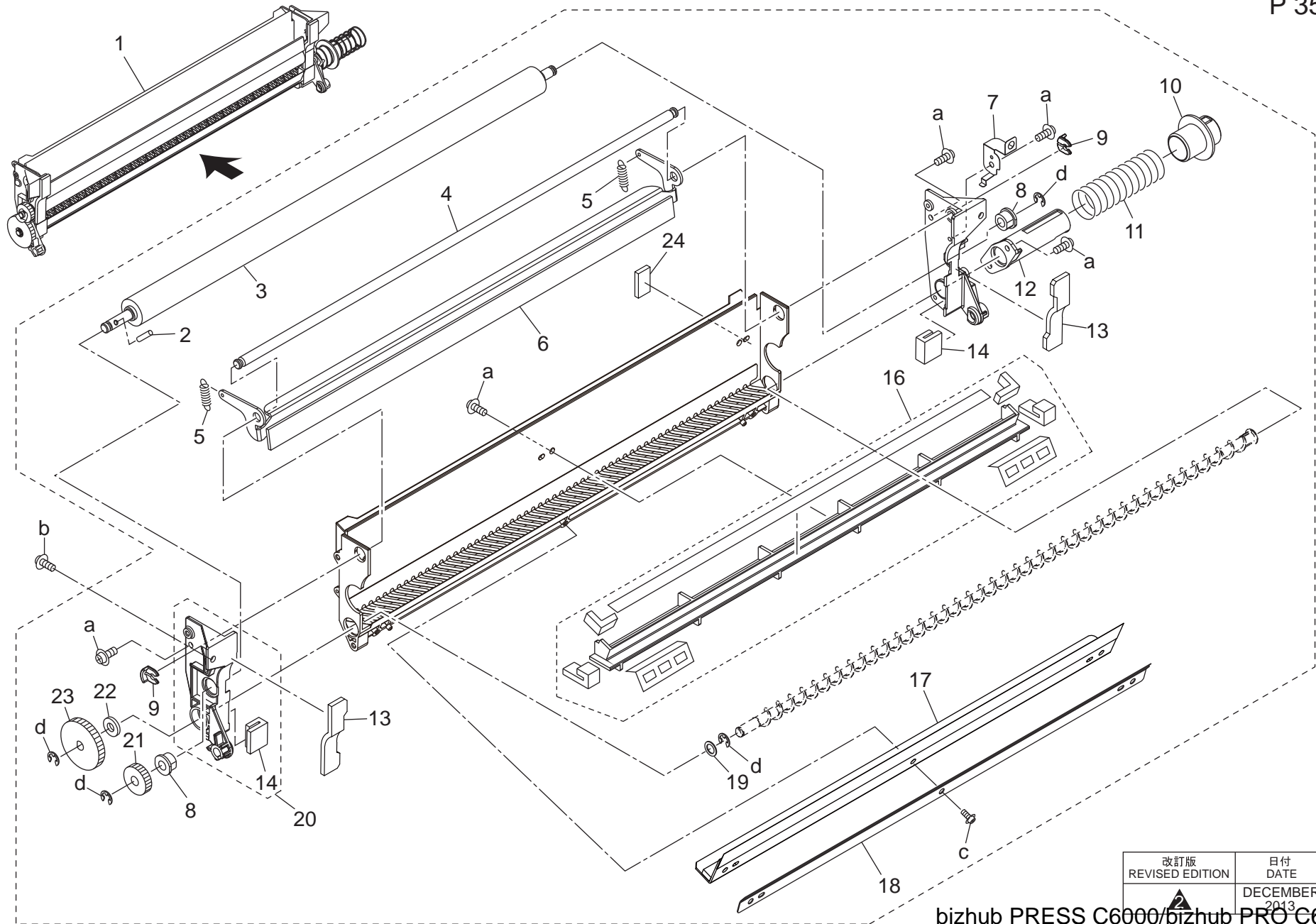
bizhub PRESS C6000/bizhub PRO C6000L

INTERMEDIATE TRANSFER SECTION

Key	Part No.	Description	Destinations	Class	QTY	Standard parts
1	65AA26920E	High voltage Powering Collar /Front	高圧給電カラー／前	C	1	a-V121030403
2	56AA40490	SHAFT STOPPER 4	軸ストッパ 4	C	1	b-V158030803
3	A00J617800	BALL BEARING	ボールベアリング	B	4	c-V217040050
4	55VA42120	SHAFT STOPPER	軸ストッパー	C	2	d-V217080050
5	A00V240600	BALL BEARING	ボールベアリング	B	2	e-V121030603
6	65AA27240	SPACER A	スペーサー A	C	1	f-V118030403
7	65AA26760	SHAFT HOLDER ADJUSTING PLATE	軸受け調整板	C	1	g-V217020050
8	65AA26740	TRANSFER RELEASE CAM C	転写解除カム C	C	2	
9	65AA26750	TRANSFER RELEASE CAM K	転写解除カム K	C	2	
10	56AA17321	PIN A D2X12	ピン A D 2 X 1 2	B	4	
11	A03U509700	Release Arm	解除アーム	C	2	
12	A03U510200	Pressing Spring /Front	押圧ばね／前	C	1	
13	A1RF517300	bearing	軸受	C	2	
14	65AA26050D	High voltage Powering Block /B	高圧給電ブロック／ B	D	1	
15	A03U507100	Power supply Spring	給電ばね	C	2	
16	65AA26380	Transfer Powering Bushing	転写給電軸受	B	2	
17	65AA26870	REGULATING COLLAR	規制カラー	C	2	
18	A03U500900	IDLER ROLLER /2	従動ローラ／ 2	C	1	
19	A03U500400	Transfer Roller /K	転写ローラ／ K	A	1	
20	65AA26950D	High voltage Powering Block /D	高圧給電ブロック／ D	D	1	
21	65AA26810D	Transfer Powering Plate /L	転写給電板／ L	D	1	
22	65AA26111	TRANSFER ROLLER LOWER	転写ローラ 下	A	1	
23	65AA26141F	Transfer Pressure Roller /K	転写圧着ローラ／ K	C	1	
24	A1DU504203	Transfer Belt 862L	転写ベルト 8 6 2 L	A	1	
25	A03U511200	Pressing Spring /Rear	押圧ばね／奥	C	1	
26	65AA26690D	Transfer Powering Plate /K	転写給電板／ K	D	1	
27	A1DUR73500	Power Supply Block / A Assy	給電ブロック／ A A S S Y	D	3	
28	65AA26190	TRANSFER DRIVING COUPLING FRONT	転写駆動カップリング 前	C	1	
29	A1DUR73300	High V Powering Rear Assy	高圧給電カラー／奥 A S S Y	C	1	
30	A1DUR71900	Separation Claw Assy	分離爪部組	B	3	
31	65AA26600	SLIDE SPRING	スライドバネ	C	1	
32	A1DUR71800	Separation Claw Unit	分離爪ユニット	C	1	



# INTERMEDIATE TRANSFER SECTION



改訂版 REVISED EDITION	日付 DATE
2	DECEMBER 2013

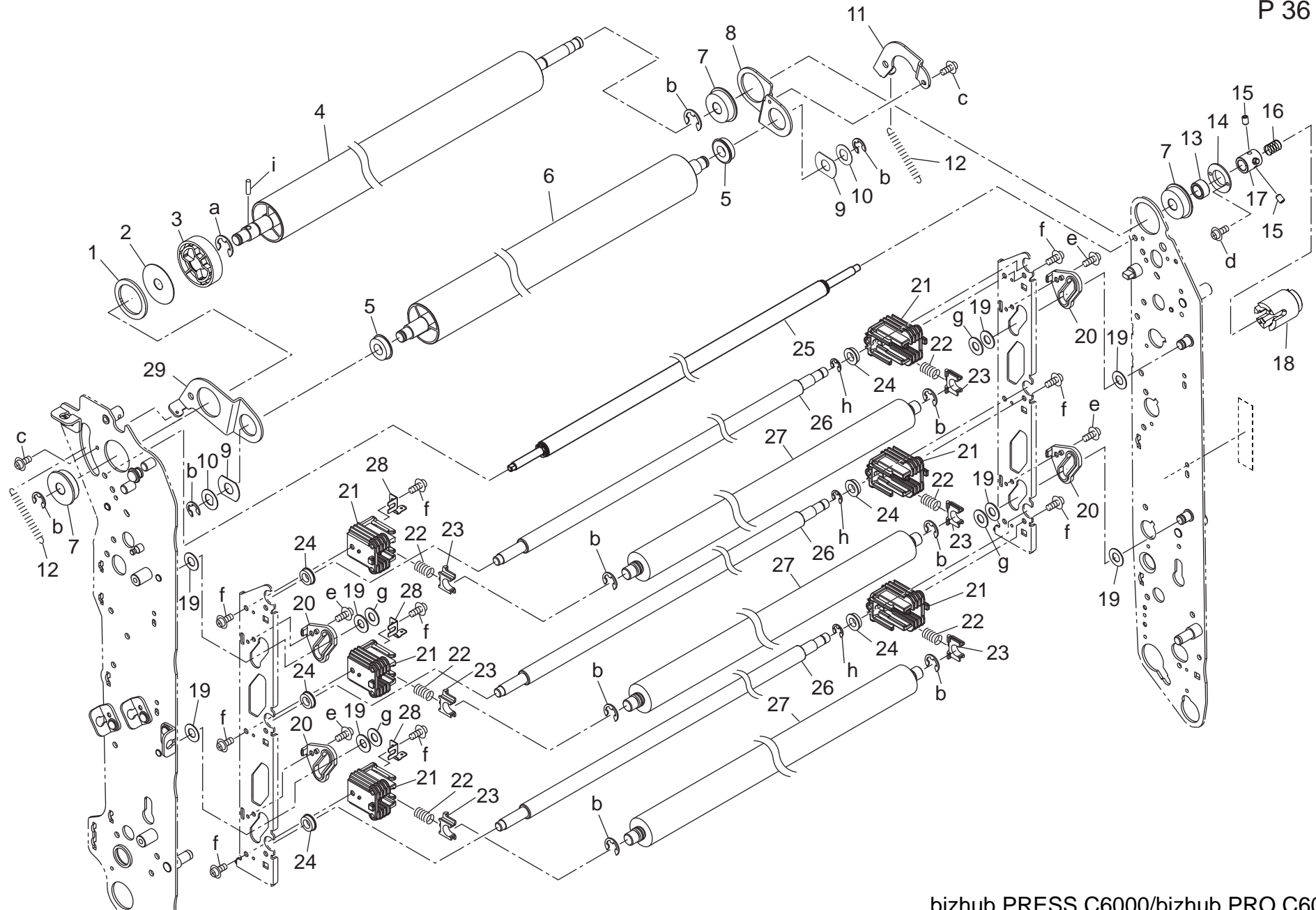
bizhub PRESS C6000/bizhub PRO C6000L

INTERMEDIATE TRANSFER SECTION

Key	Part No.	Description	Destinations	Class	QTY	Standard parts
1	A1DUR71B00	Belt Cleaner Unit		B	1	a-V158030803 b-V121030603 c-V158031003 d-V217040050
2	56AA17531	PIN A D2X10		C	1	
3	A03U552900	Auxiliary Roller		C	1	
4	65AA27090D	Blade Fulcrum Shaft		D	1	
5	A03U555400	Cleaning Spring		C	2	
6	A03U553000	Cleaning Blade		A	1	
7	65AA26400	CLEANER POWERING PLATE		C	1	
8	65AA26840	Cleaner Bushing /Front		C	2	
9	56AA40490	SHAFT STOPPER 4		C	2	
10	65AA20060	COLLECTING COVER		C	1	
11	65AA20300	TONER COLLECTING SPRING		C	1	
12	65AA27280	Toner Collecting Pipe /A		C	1	
13	A1DU550200	Scatter Preventing Pad /3		D	2	
14	65AA27320	SCATTER PREVENTING PAD 4		C	2	
16	A1DUR71G00	Stopper Plate Assy		D	1	
17	A1DUR71C00	Sheet /1 Assy		A	1	
18	A1DUR71D00	Sheet /2 Assy		C	1	
19	40AA32320	TONER SUPPLY SPACER		C	1	
20	A1DUR71E00	Cleaning Front Plate Assy		B	1	
21	A03U559400	COLLECTION GEAR /MIDDLE 20T		C	1	
22	08AA45230	COLLECTING SEAL		C	1	
23	A03U559500	COLLECTION GEAR /LOWER 38T		C	1	
24	56AA20940D	Toner Dust-proof Seal /D		D	1	

# INTERMEDIATE TRANSFER SECTION

P 36

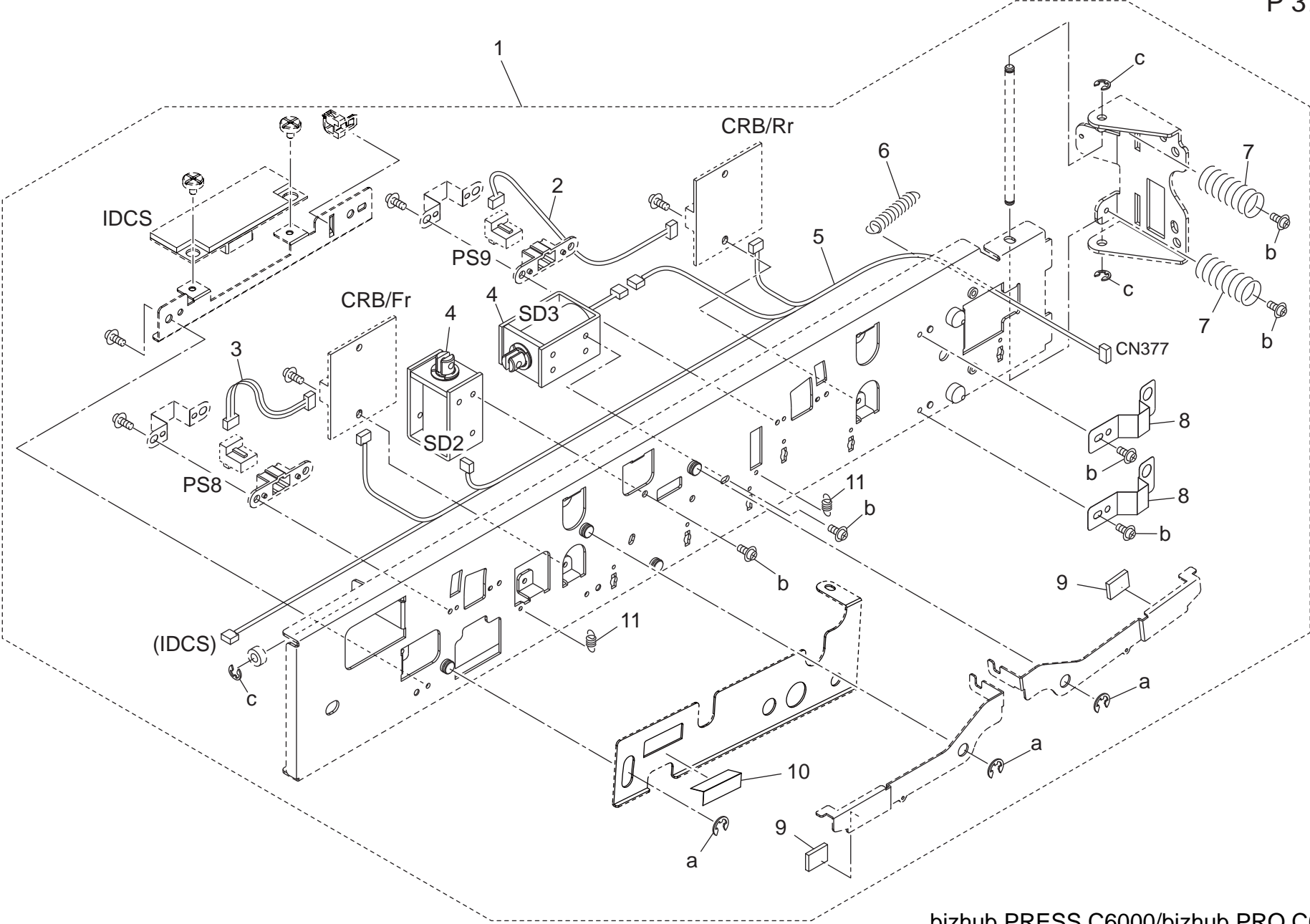


bizhub PRESS C6000/bizhub PRO C6000L

INTERMEDIATE TRANSFER SECTION

Key	Part No.	Description	Destinations	Class	QTY	Standard parts
1	65AA27460	SPACER B		C	1	a-V217080050
2	65AA27470	SPACER C		C	1	b-V217060050
3	A1DU559300	Collection Gear /Upper 42T		C	1	c-V121030603
4	A03U500800	Drive Roller		C	1	d-V118020403
5	A00V240600	BALL BEARING		B	2	e-V121030403
6	65AA26100E	Tension Roller		C	1	f-V158030803
7	65AA75090	BELT DRIVING BEARING		C	3	g-V223060004
8	65AA26250E	Plate /Rear		C	1	h-V217040050
9	65AA27240	SPACER A		C	2	i-V237301850
10	65AA272100	Spacer /T		C	2	
11	A1DUR74400	Tension Plate/ Rear Caulking		C	1	
12	65AA26530	TENSION SPRING		C	2	
13	A03U512400	Positioning Sleeve		C	1	
14	A03U512200	DRIVE COUPLING /C		C	1	
15	A03U512300	Fixing Screw		C	2	
16	A1DU519900	Spring		D	1	
17	A03U512000	DRIVE COUPLING /A		C	1	
18	A1DU512100	Drive Coupling /B		D	1	
19	07BA15871	SPACER A		C	8	
20	65AA27180	Transfer Slide Bushing		C	4	
21	65AA26900D	High voltage Powering Block /C		D	6	
22	A03U507100	Power supply Spring		C	6	
23	65AA26380	Transfer Powering Bushing		B	6	
24	A00J617800	BALL BEARING		B	6	
25	A03UB50400	Roller /Upper Assy		C	1	
26	65AA26131F	Transfer Pressure Roller /Y		C	3	
27	A03U501200	Transfer Roller /C		A	3	
28	65AA26560D	Transfer Powering Plate /Front		D	3	
29	65AA26270E	Tension Plate /Front		D	1	

COLOR RESIST SECTION



bizhub PRESS C6000/bizhub PRO C6000L

COLOR RESIST SECTION

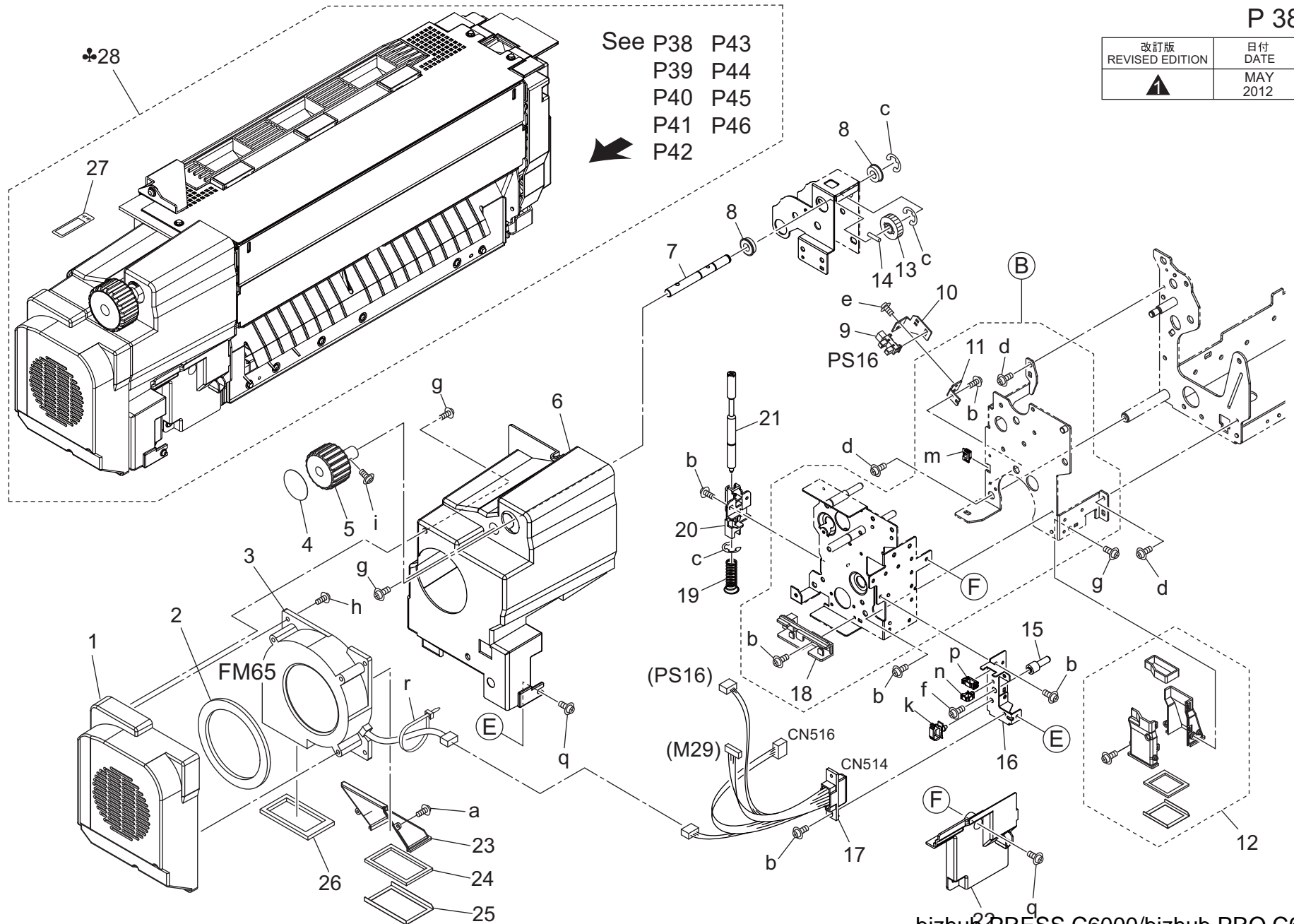
Key	Part No.	Description	Destinations	Class	QTY	Standard parts
1	A1DUR71500	Color Resist Assy		C	1	a-V217040050 b-V121030403 c-V217030050
2	65AA91090	COLOR COMPENSATING WIRING 2		D	1	
3	65AA90650	COLOR COMPENSATING WIRING		D	1	
4	A1DUR71600	Solenoid Assy		C	2	
5	A1DUN17000	Relay harness /5		D	1	
6	65AA27110	REGISTRATION RELEASE SPRING		C	1	
7	65AA26570	REGISTRATION PRESSING SPRING		C	2	
8	65AA27300	GUIDE PLATE		D	2	
9	65AA26610	Scatter Preventing Pad /1		D	2	
10	65AA27360	COVER SHEET		D	1	
11	65AA26580	REGISTRATION OPEN SHUT SPRING		C	2	

bizhub PRESS C6000/bizhub PRO C6000L

# FUSING SECTION

改訂版 REVISED EDITION	日付 DATE
	MAY 2012

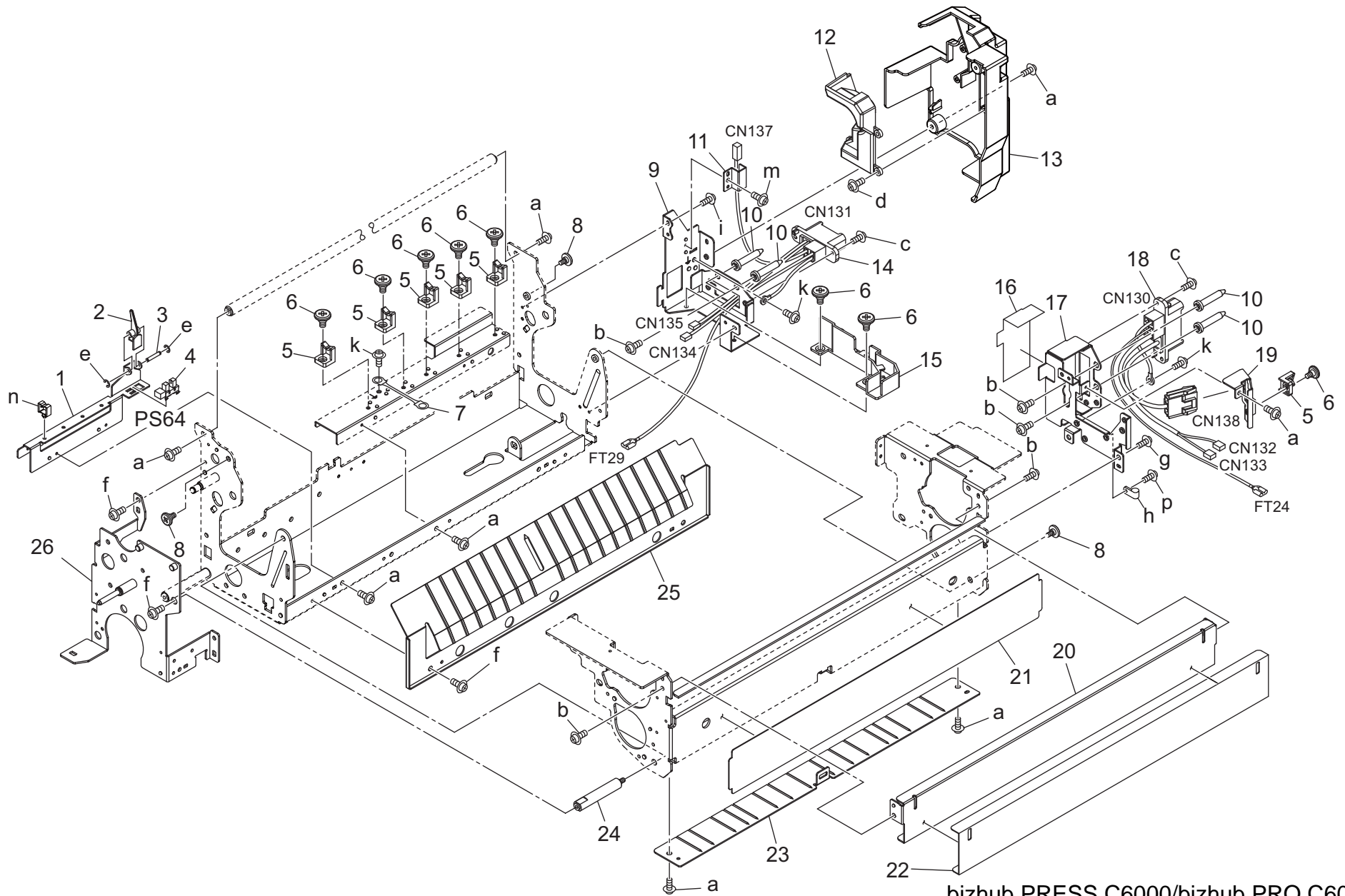
See P38 P43  
P39 P44  
P40 P45  
P41 P46  
P42



bizhub PRESS C6000/bizhub PRO C6000L

Key	Part No.	Description	Destinations	Class	QTY	Standard parts
1	A03U728200	Suction Cover /1		C	1	a-V151020503
2	A03U733400	Seal /5		C	1	b-V121030603
3	A03UM15300	Fixing Cooling Fan		C	1	c-V217060050
4	A1RF943400	Release Label /4		D	1	d-V182040603
5	20AL48470G	Jam Release Knob		C	1	e-V182030603
6	A1DU720401	Fusing Cover /Front		D	1	f-V121040603
7	A1DU726601	Processing Shaft /A		D	1	g-V158030803
8	A00V240600	BALL BEARING		B	2	h-V158031003
9	08AA85512	Photo Sensor		B	1	i-V127040803
10	A03U725700	POSITIONING PLATE /A		D	1	k-V500010005
11	A03U726500	SUPPORT PLATE /A		D	1	m-V570010065
12	A1DUR72100	Fusing Duct / 2		B	1	n-V500010020
13	13GG77030	Motor Driving Gear 22T		B	1	p-V570010057
14	56AA17471	PIN B 3X12		C	1	q-V121030604
15	A1DU736200	Positioning Shaft		D	1	r-V501010014
16	A1DU736100	Mounting Plate		D	1	
17	A1DUN15001	Fixing Drive Harness /2		D	1	
18	A03U730500	Wiring Guide Plate /Front		D	1	
19	A1DU736500	Lifting Spring /2		D	1	
20	A1DU736300	Fixing Pedestal /A		D	1	
21	A1DU736400	Fixing Shaft		D	1	
22	A1DU727800	Auxiliary Cover		D	1	
23	A03U733000	Fan Cover Cover		C	1	
24	A03U733600	Seal /1		C	1	
25	A03U733700	Sealing Plate /1		C	1	
26	A03U734100	Seal /4		C	1	
27	A1RF945501	Replacement Label /5		D	1	
28	A1DUR71T22	Fusing Unit (JP)	A	I	1	
28	A1DUR71U22	Fusing Unit (US)	B, G2	I	1	
28	A1DUR71V22	Fusing Unit (EU)	C, D1, D3, E, F2, G 1, H, I, J, K	I	1	





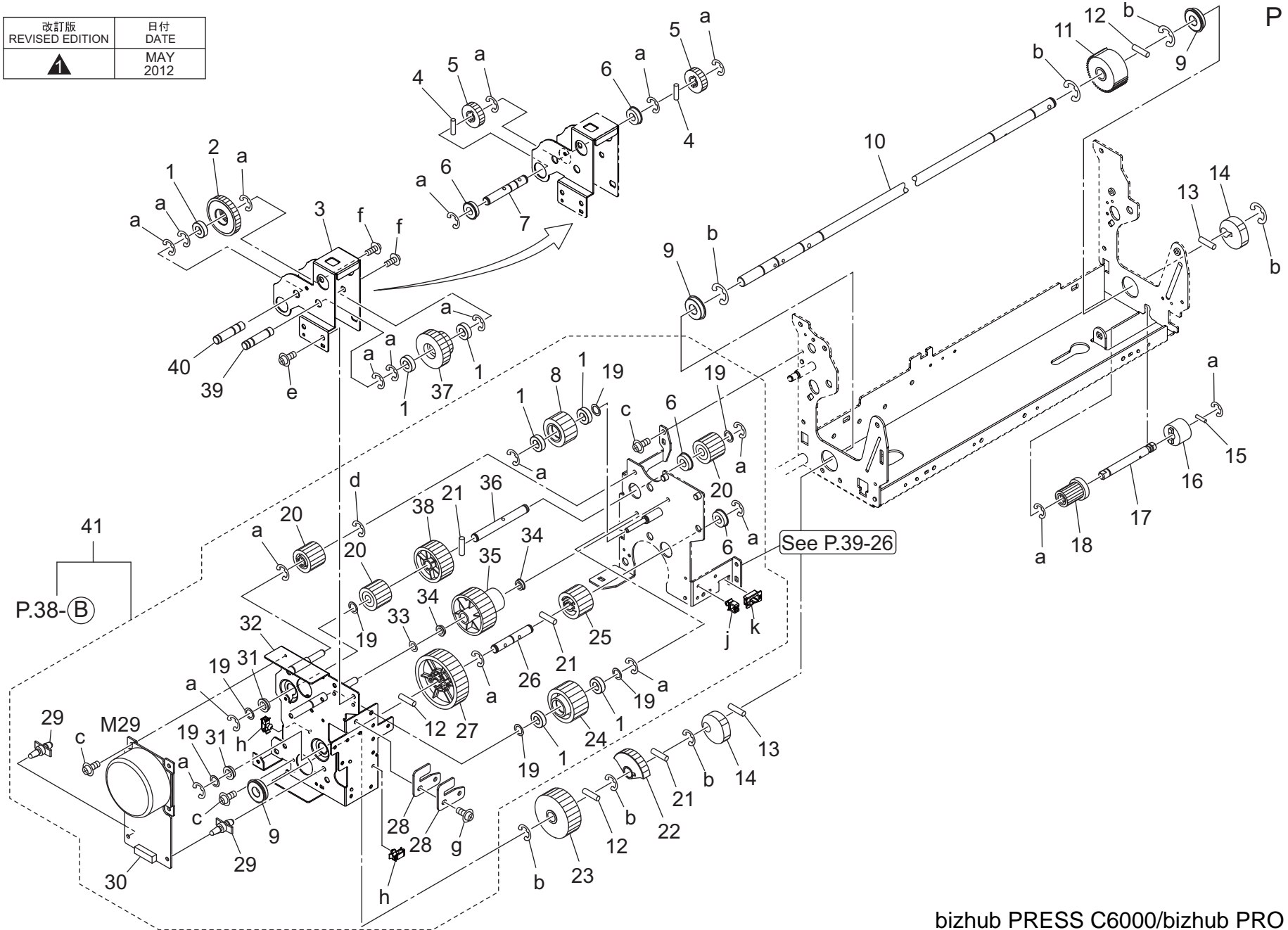
bizhub PRESS C6000/bizhub PRO C6000L

Key	Part No.	Description	Destinations	Class	QTY	Standard parts
1	A03U731101	Support Plate /B		D	1	a-V121030603
2	A03U730800	Entrance Actuator /A		C	1	b-V121040603
3	A03U730900	SHAFT		D	1	c-V121030803
4	A1RFM51000	Photointerrupter /H		C	1	d-V158030803
5	55VA53970	Wiring Holder Part		D	6	e-V217020050
6	A03U734500	Support Screw /A		C	8	f-V182040603
7	A03UN23200	Grounding Wiring /F		D	1	g-V182030603
8	450053391	EXIT GUIDEPLATE MOUNTING SCREW		C	3	h-V500020031
9	A03U726900	Power supply Plate /Lower		D	1	i-V127030603
10	A03U724200	Positioning Shaft		D	4	k-V116040603
11	65AA53950	WIRING FIXING PLATE		D	1	m-V121030403
12	A03U733200	Cover Duct		D	1	n-V500010051
13	A1DU721101	Fusing Cover /Rear		D	1	p-V118040603
14	A1DUN10602	Fixing Wiring /2		D	1	
15	A03U727700	Guide Part		D	1	
16	A1DU736800	Insulating Sheet /A		D	1	
17	A1DU722811	Power supply Plate /Upper		D	1	
18	A1DUN10502	Fixing Wiring /1		D	1	
19	A03U725300	Terminal Fixing Plate		D	1	
20	A03U721400	Fusing Stay /Right		D	1	
21	A03U727300	Insulating Sheet /C		C	1	
22	A03U727200	Insulating Sheet /B		C	1	
23	A03U724500	Entrance Plate /Upper		C	1	
24	A03U724800	FIXING ROTATION SHAFT		D	1	
25	A03U721000	Fixing Entrance Plate /Lower		C	1	
26	A03UF77800	Fixing Drive Panel /A Caulking		D	1	

# FUSING SECTION

P 40

改訂版 REVISED EDITION	日付 DATE
	MAY 2012

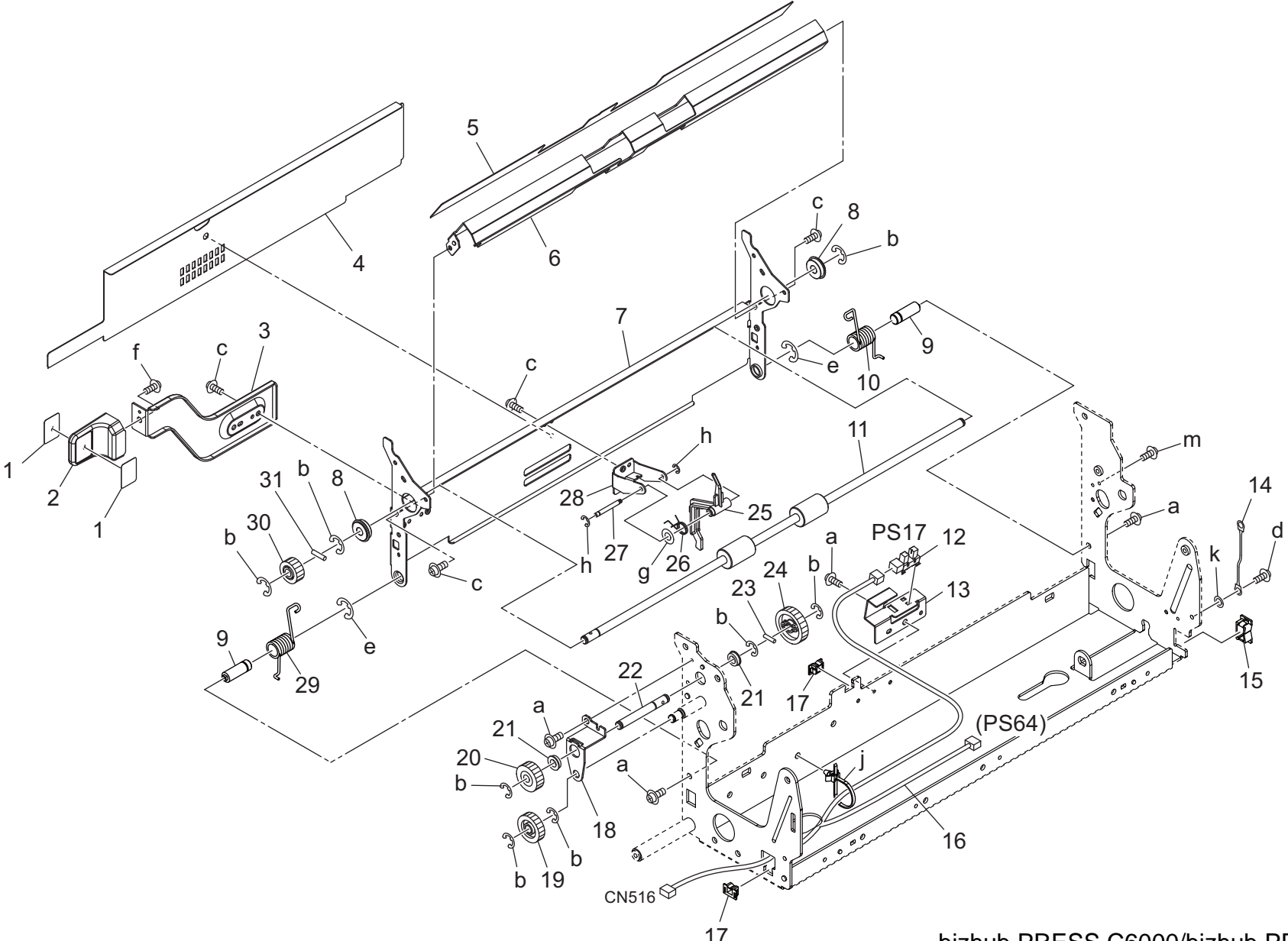


bizhub PRESS C6000/bizhub PRO C6000L

# FUSING SECTION

Key	Part No.	Description	Destinations	Class	QTY	Standard parts
1	A1RF820000	Ball Bearing		C	7	a-V217060050
2	55VA77870	FIXING IDLER GEAR 4 38T	ボールベアリング 定着アイドル歯車 4 38 T	B	1	b-V217080050
3	A1DU731200	Processing Panel	処理パネル	D	1	c-V121030603
4	56AA17471	PIN B 3X12	ピン B 3 X 12	C	2	d-V217040050
5	13GG77030	Motor Driving Gear 22T	モータ駆動歯車 22 T	B	2	e-V182040603
6	A00V240600	BALL BEARING	ボールベアリング	B	4	f-V121040603
7	A03U728900	PROCESSING SHAFT /B	処理軸 / B	D	1	g-V140040803
8	A03U808811	FIXING DRIVE GEAR /H 35T	定着駆動ギア / H 35 T	B	1	h-V500010046
9	500075010	BALL BEARING	読み取り駆動軸受	B	3	j-V500010050
10	A03U722300	Release Shaft	解除軸	D	1	k-V570010064
11	65AA77480	FIXING REGULATING GEAR B 47T	定着規制ギア B 47 T	C	1	
12	304078070	PIN C	ピン C	C	3	
13	454078030	PARALLEL PIN	平行ピン	C	2	
14	A03U722400	Pressure Cam	圧着カム	C	2	
15	56AA17531	PIN A D2X10	ピン A D 2 X 10	C	1	
16	65AA53651	FIXING LIMITTER	定着リミッタ	B	1	
17	A03U725600	Fixing Regulating Shaft /A	定着規制軸 / A	D	1	
18	65AA77470	FIXING REGULATING GEAR A 19T	定着規制ギア A 19 T	B	1	
19	56AA42690	BY PASS FEED SPACER	手差しスペーサー	C	7	
20	A03U809311	Fixing Drive Gear /M 22T	定着駆動ギア / M 22 T	B	3	
21	56AA17480	PIN B	ピン B	C	3	
22	A03U724400	Release Actuator /A	解除アクチュエータ / A	C	1	
23	A03U808000	Fixing Rrelease Gear /A 44T	定着解除ギア / A 44 T	B	1	
24	A03U809400	FIXING DRIVE GEAR /N 34T	定着駆動ギア / N 34 T	B	1	
25	A03U809000	FIXING DRIVE GEAR /J 26T	定着駆動ギア / J 26 T	B	1	
26	A03U726100	FIXING DRIVING SHAFT /D	定着駆動軸 / D	D	1	
27	A03U809100	FIXING DRIVE GEAR /K 55T	定着駆動ギア / K 55 T	B	1	
28	A03U732300	Fusing Jig	定着治具	D	2	
29	V502010015	support	ロッキングサーキットボードサポート	D	2	
30	A1DUM10100	DC Brushless motor /40	DC ブラシレスモータ / 40	C	1	
31	A00J617900	Ball Bearing	ボールベアリング	B	2	
32	A1DUR74700	Fusing Drive Panel / B Caulking	定着駆動パネル / B カシメ	D	1	
33	25HA30330	DEVELOPING REGULATING SPACER	現像規制スペーサー	C	1	
34	A00J617800	BALL BEARING	ボールベアリング	B	2	
35	A1DU808900	Drive Gear /I 26/79T	駆動ギア / I 26 / 79 T	C	1	
36	A03U725800	FIXING DRIVE SHAFT /A	定着駆動軸 / A	C	1	
37	A03U809700	Jam Processing Gear /A 22/35T	ジャム処理ギア / A 22 / 35 T	B	1	
38	A03U808700	FIXING DRIVE GEAR /G 45T	定着駆動ギア / G 45 T	B	1	
39	A03U733500	Processing Shaft /D	処理軸 / D	D	1	
40	A03U732400	Processing Shaft /C	処理軸 / C	D	1	
41	A1DUR74U00	Fusing Drive Panel Assy	定着駆動パネル A s s y	D	1	

FUSING SECTION

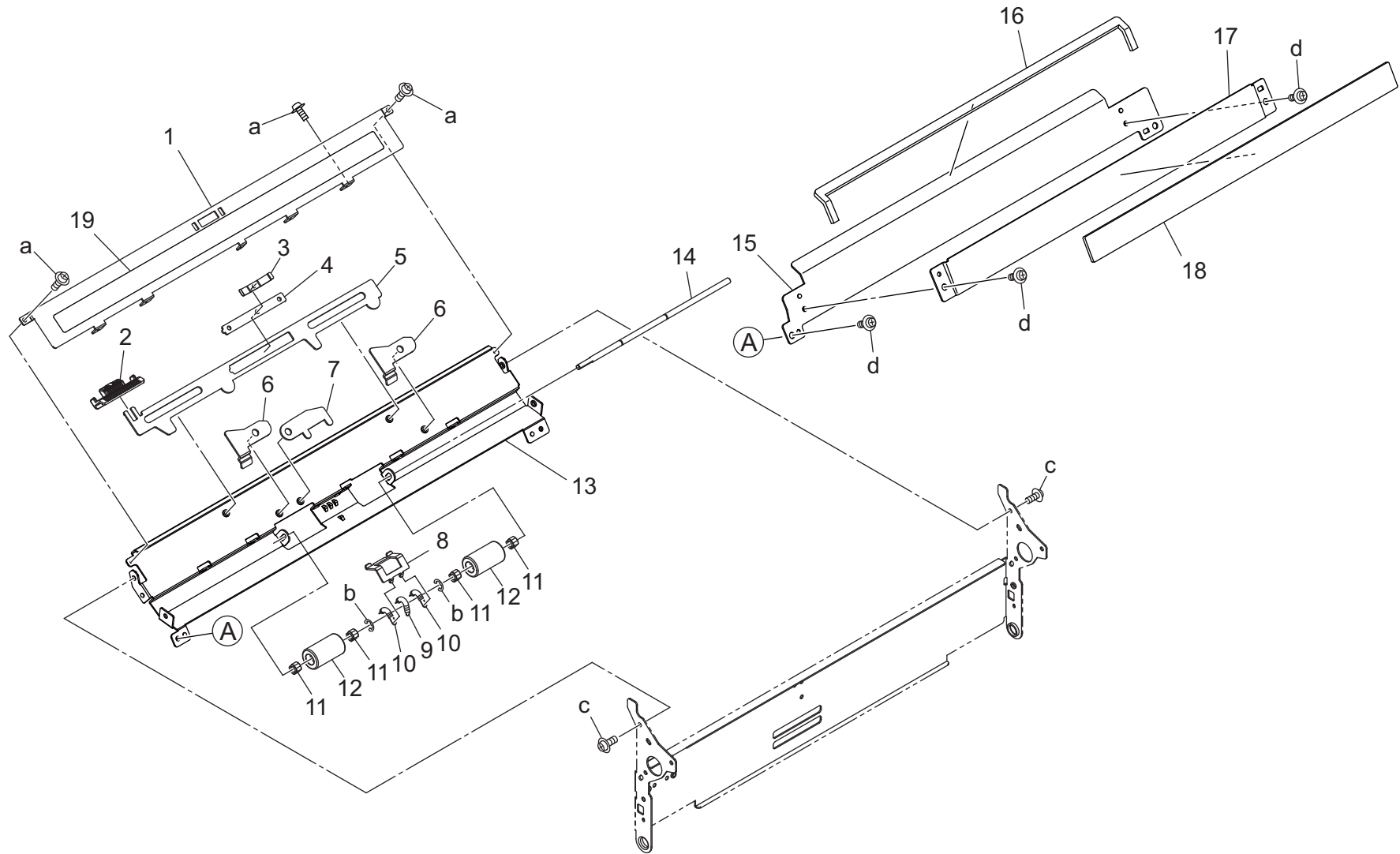


bizhub PRESS C6000/bizhub PRO C6000L

Key	Part No.	Description	Destinations	Class	QTY	Standard parts
1	A1RF943600	Release Label /6		D	2	a-V121030603
2	65AA53991	Fixing Paper Exit Lever		C	1	b-V217040050
3	A03U723301	Open/close Lever		C	1	c-V127030603
4	A03U728100	Insulating Sheet /D		C	1	d-V116040603
5	A03U729901	Insulating Sheet /E		C	1	e-V217060050
6	A03U722001	Fixing Paper exit Plate /Lower		D	1	f-V151040803
7	A03U720800	Fixing Paper exit Stay		D	1	g-V226060050
8	55GA75031	BALL BEARING		A	2	h-V217020050
9	A03U726711	Paper Exit Fulcrum Shaft		D	2	j-V501010003
10	A03U734411	Paper Exit Open /Shut Spring /B		C	1	k-V209040050
11	A03U720900	Fixing Paper Exit Roller		C	1	m-V118030603
12	A1RFM51000	Photointerrupter /H		C	1	
13	65AA53520F	Paper Exit Detecting Plate		D	1	
14	A03UN23300	Main body Grounding Wire		D	1	
15	V570010064	Edge Saddle		V	1	
16	A03UN15200	Fixing Relay Wiring		D	1	
17	V570010065	Edge Saddle		V	2	
18	A03U723900	Paper exit Drive Plate		D	1	
19	A03U808300	FIXING DRIVE GEAR /C 20T		B	1	
20	A03U808400	FIXING DRIVE GEAR /D 19T		B	1	
21	A00J617800	BALL BEARING		B	2	
22	A03U724000	Paper exit Drive Shaft		D	1	
23	56AA17321	PIN A D2X12		B	1	
24	A03U808500	FIXING DRIVE GEAR /E 32T		B	1	
25	65AA53371	PAPER EXIT ACTUATOR		C	1	
26	65AA53560	PAPER EXIT DETECTING SPRING		C	1	
27	65AA53420	PAPER EXIT DETECTING SHAFT		D	1	
28	65AA53380	SUPPORT PLATE		D	1	
29	A03U734311	Paper Exit Open/ Shut Spring /A		C	1	
30	A03U809600	FIXING DRIVE GEAR /P 20T		B	1	
31	56AA17531	PIN A D2X10		C	1	

# FUSING SECTION

P 42

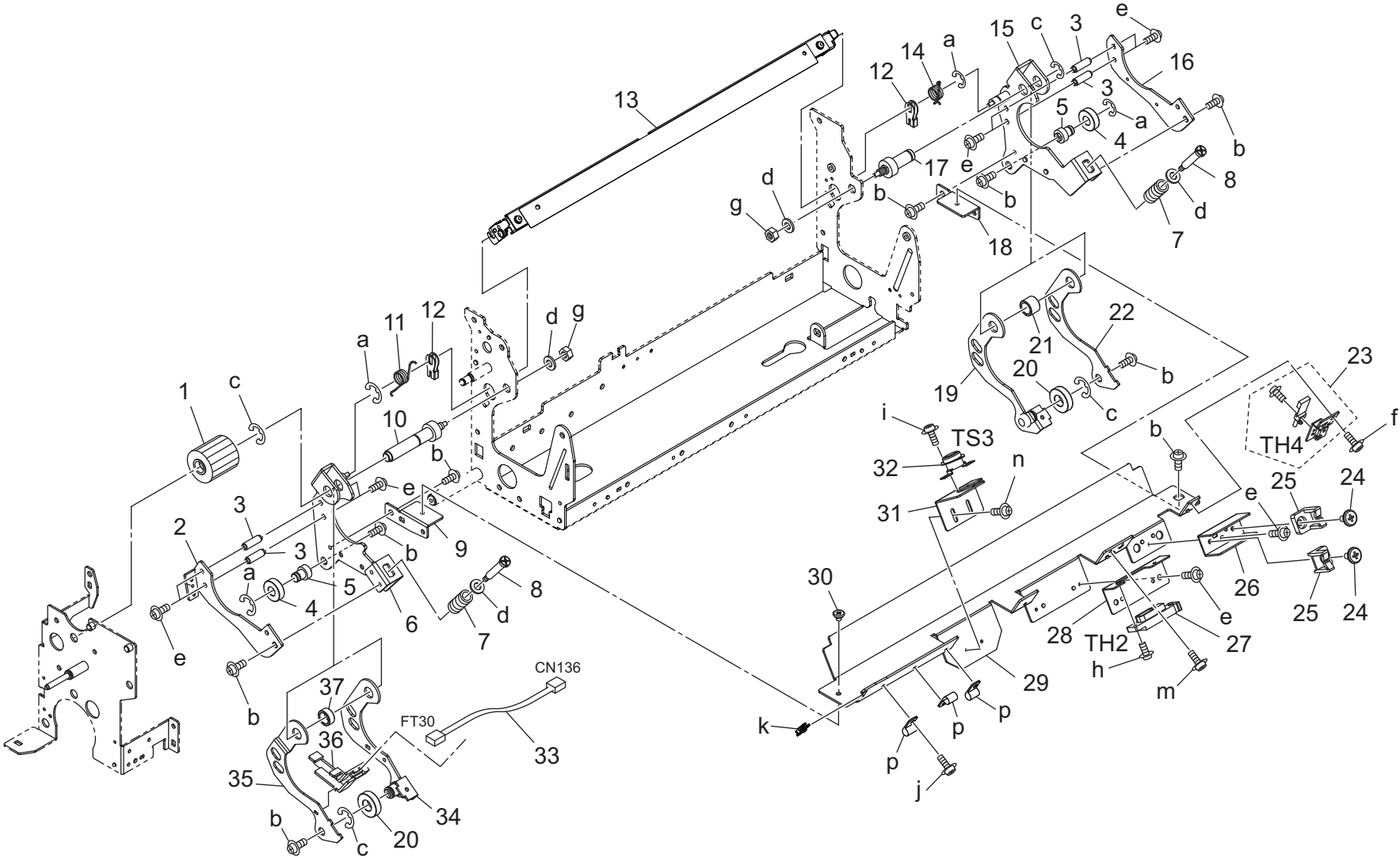


bizhub PRESS C6000/bizhub PRO C6000L

# FUSING SECTION

Key	Part No.	Description	Destinations	Class	QTY	Standard parts
1	A03U735300	Holding Plate		D	1	a-V118020303 b-V217030050 c-V127030603 d-V121030603
2	A03U735000	Slide Knob		C	1	
3	A03U734800	Positioning Plate spring /1		C	1	
4	A03U734900	Positioning Plate		D	1	
5	A03U735400	Slide Plate		D	1	
6	A03U735500	Release Lever		C	2	
7	A03U735200	Pressing Cam /2		C	1	
8	A03U735100	Pressing Cam /1		C	1	
9	A03U725500	Paper exit Spring /1		C	1	
10	A03U735600	Paper exit Spring /2		C	2	
11	A50U761500	Fixing Paper exit Bearing		C	4	
12	A03U722500	Fixing Paper exit Roller		A	2	
13	A1DU727600	Paper exit Plate /Upper		D	1	
14	A03U728000	PAPER EXIT SHAFT		D	1	
15	A1DU762300	Positioning Plate /1		D	1	
16	A1DU762600	Fusing Seal /2		D	1	
17	A1DU762401	Duct /1		D	1	
18	A1DU762500	Fusing Seal /1		D	1	
19	A1DU949000	Caution Label		D	1	



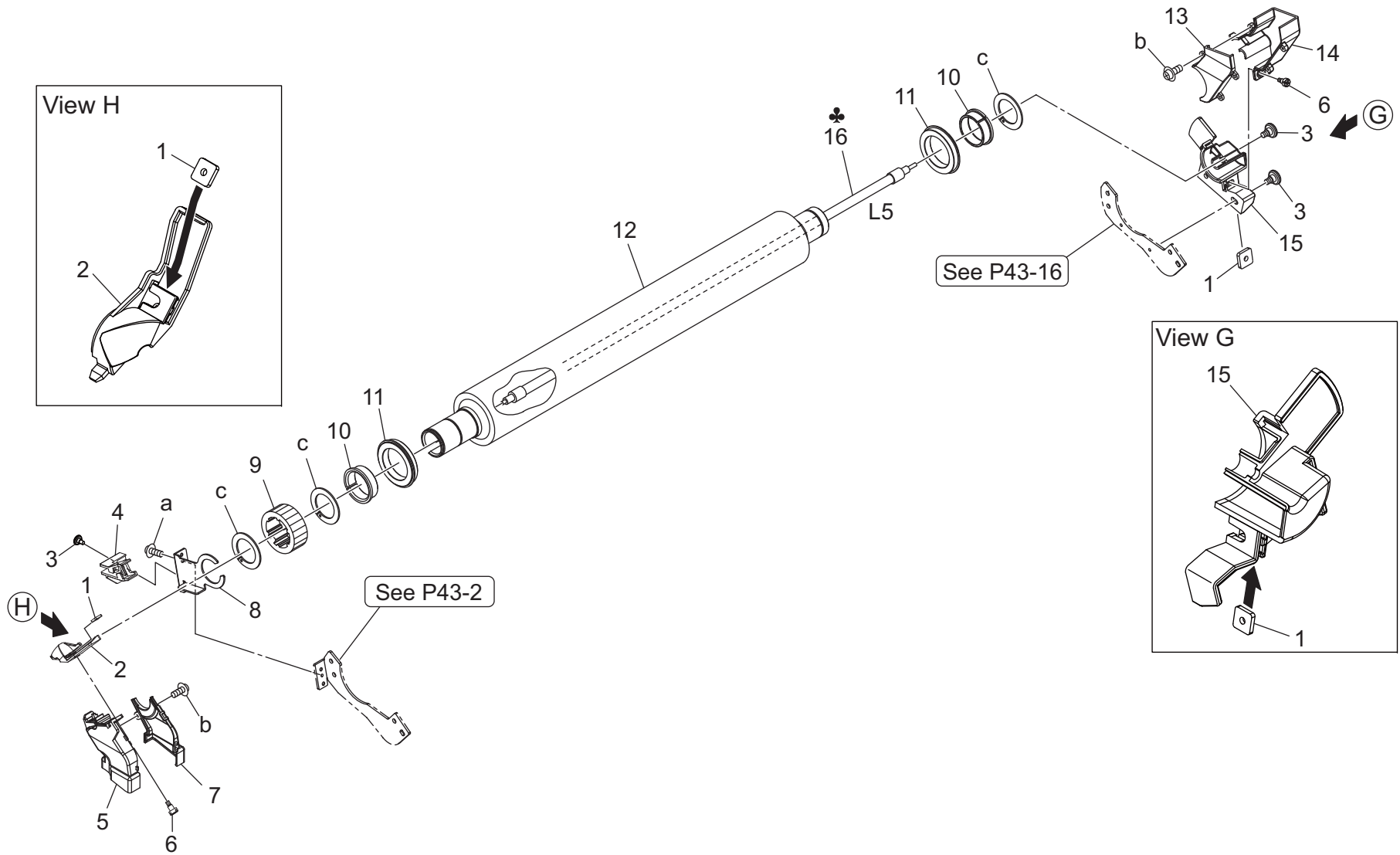


bizhub PRESS C6000/bizhub PRO C6000L

Key	Part No.	Description	Destinations	Class	QTY	Standard parts
1	A03U808201	Fixing Drive Gear /B 28T		A	1	a-V217060050
2	A03U723700	Support Arm /Front		D	1	b-V121040603
3	A03U723400	Fixing Support Shaft /A		D	4	c-V217080050
4	A03U807900	Fixing Pressing Bearing		C	2	d-V207060003
5	A03U730600	Shaft holder Shaft		D	2	e-V121030603
6	A03UF74200	Arm /Front Caulking		D	1	f-V182030603
7	A03U730701	Pressure Spring		C	2	g-V195060003
8	A03U724901	Pressure Shaft		D	2	h-V116030803
9	A03U731300	Auxiliary Plate /Front		D	1	i-V118030403
10	A03U722200	Fixing Support Shaft /Front		D	1	j-V118040603
11	A03U734601	Separating Spring /Front		C	1	k-V570010025
12	A03U735700	HOLDING SIDE PLATE		D	2	m-V116040603
13	A1DUR74H00	Fusing Separating Plate		A	1	p-V500020030
14	A03U734701	Separating Spring /Rear		C	1	
15	A03UF74300	Arm /Rear Caulking		D	1	
16	A03U732000	Support Arm /Rear		D	1	
17	A03U730100	Fixing Support Shaft /Rear		D	1	
18	A03U731400	Auxiliary Plate /Rear		D	1	
19	A03UF74500	Fixing Pressure Plate /C Caulking		D	1	
20	A03U807700	Pressure Bearing		C	2	
21	A03U731900	Regulating Shaft /Rear		D	1	
22	A03U732200	Fixing Pressure Plate /D		D	1	
23	A1DUR71W00	Mounting Plate / A		B	1	
24	A03U734500	Support Screw /A		C	2	
25	55VA53970	Wiring Holder Part		D	2	
26	A03U730200	GUIDE PLATE /REAR		D	1	
27	65AA88020	TEMPERATURE SENSOR 2		B	1	
28	65AA53230	MOUNTING PLATE		D	1	
29	A03U721201	Fixing Support Stay /Lower		D	1	
30	56AA53470	FIXING FULCRUM SHAFT		D	1	
31	A03U724101	Fuse Mounting Plate /Lower		D	1	
32	SP00-0181	THERMOSTAT		A	1	
33	A03UN10800	Fixing Power supply Wiring /Lower		D	1	
34	A03UF74400	Fixing Pressure Plate /A Caulking		D	1	
35	A03U723800	Fixing Pressure Plate /B		D	1	
36	A03U723600	Wiring Mounting Plate /Front		D	1	
37	A03U731800	Regulating Shaft /Front		D	1	

# FUSING SECTION

P 44

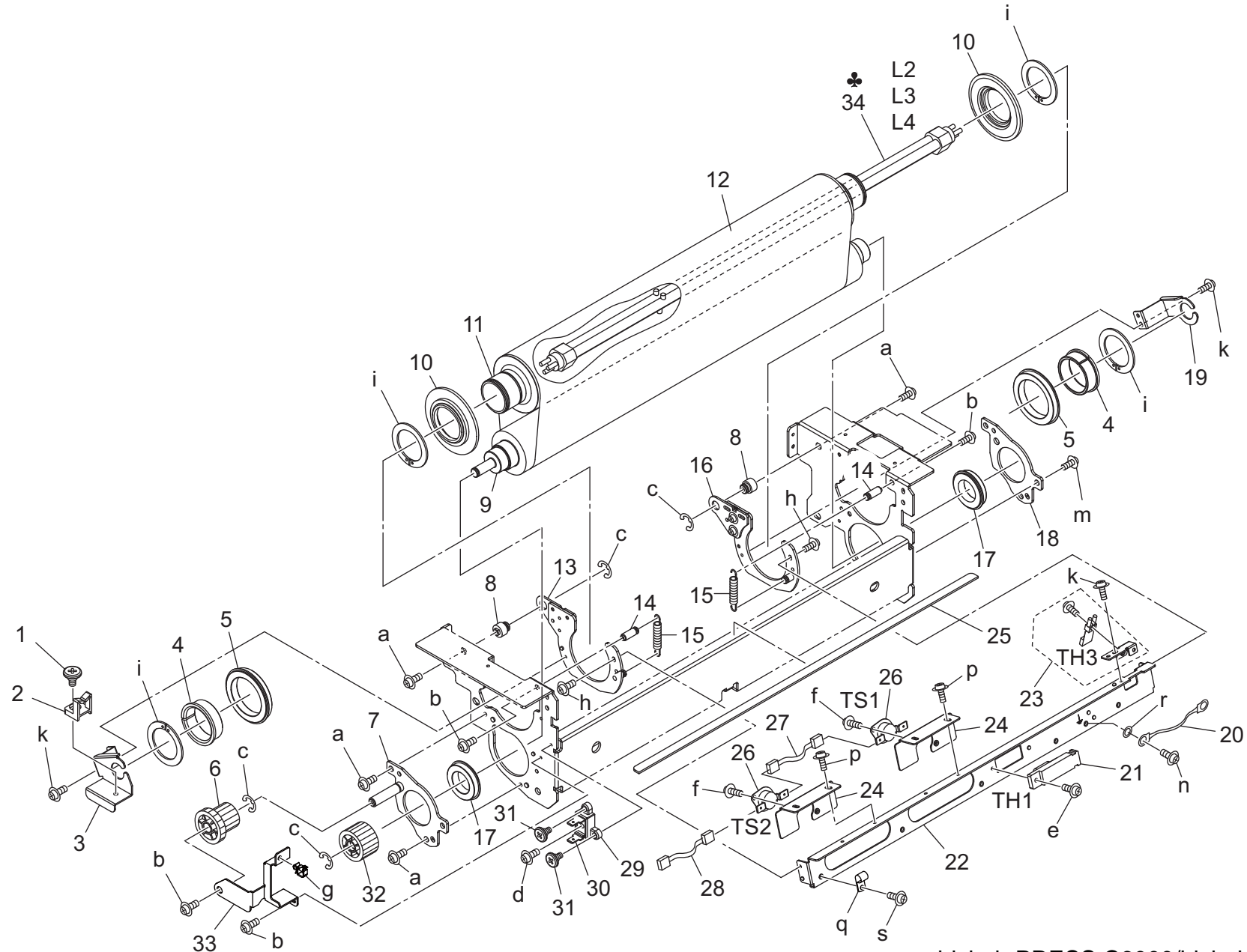


bizhub PRESS C6000/bizhub PRO C6000L

## FUSING SECTION

Key	Part No.	Description	Destinations	Class	QTY	Standard parts
1	A03U733100	Mounting Nut		C	2	a-V121030603 b-V151020603 c-V223260004
2	A03U728800	Fusing Duct /4		C	1	
3	A03U734500	Support Screw /A		C	3	
4	A03U727500	Wiring Part /1		D	1	
5	A03U728600	Fusing Duct /3		C	1	
6	56AA20870	TERMINAL FIXING SCREW		C	2	
7	A03U728700	Cover /3		C	1	
8	A03U721700	Hold Plate /1		C	1	
9	A03U808100	Fixing Drive Gear /A 38T		B	1	
10	A03U722700	Insulating Sleeve /Lower		B	2	
11	26NA53712	BALL BEARING		A	2	
12	A03U720300	Fusing Roller /Lower		A	1	
13	A03U732900	Cover /5		C	1	
14	A03U732800	Fixing duct /5		C	1	
15	A03U732700	Hold Block /Rear		C	1	
16	A03UM32A00	Fixing Lamp /Lower	A	B	1	
16	A03UM32E00	Fixing Lamp /Lower	B, G2	B	1	
16	A03UM32F00	Fixing Lamp /Lower	C, D1, D3, E, F2, G 1, H, I, J, K	B	1	

FUSING SECTION

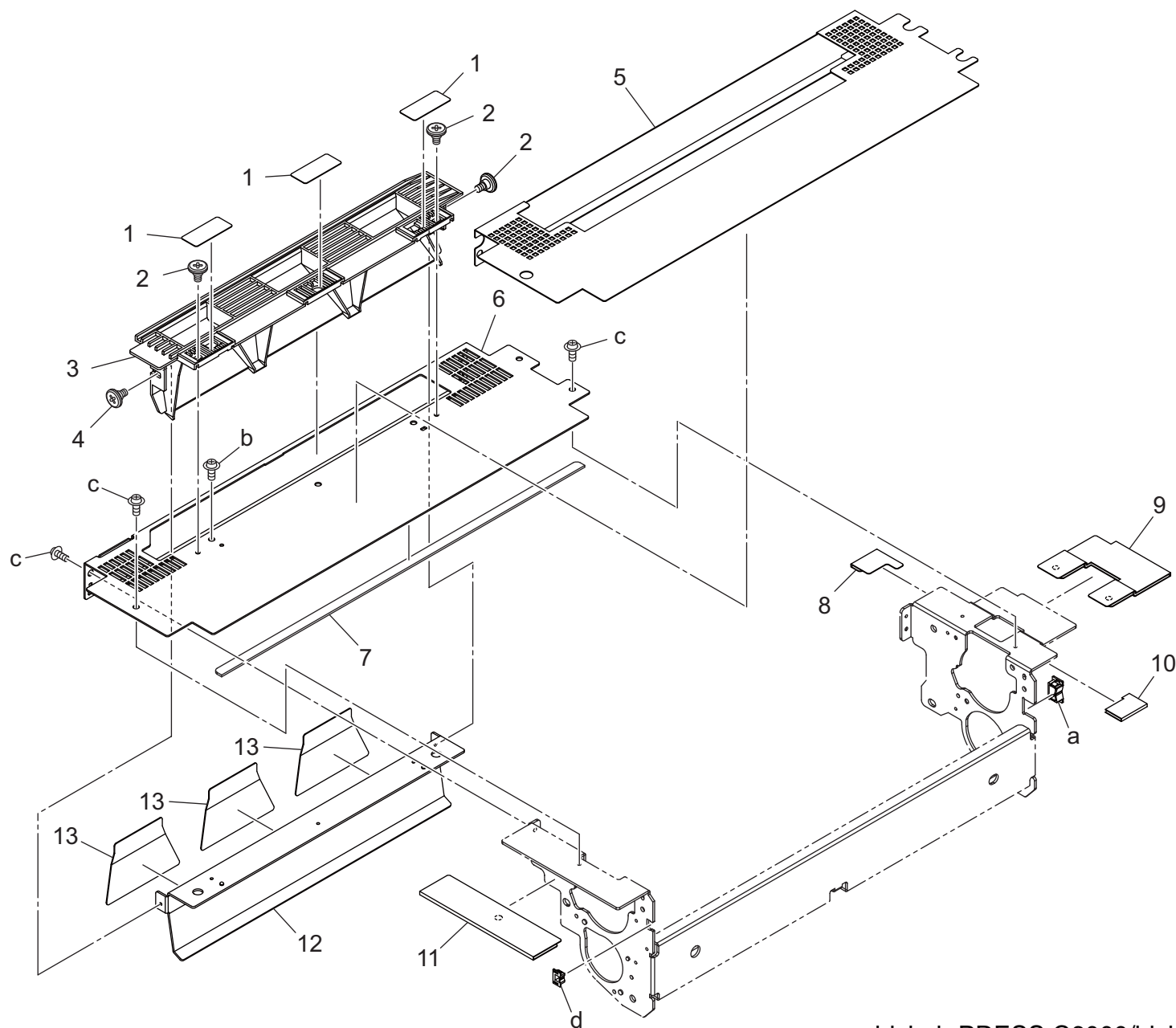


bizhub PRESS C6000/bizhub PRO C6000L

# FUSING SECTION

Key	Part No.	Description	Destinations	Class	QTY	Standard parts
1	A03U734500	Support Screw /A		C	1	a-V121040603
2	55VA53970	Wiring Holder Part		D	1	b-V121030603
3	A03U729001	Heater Support Plate /Front		D	1	c-V217060050
4	A03U729500	INSULATING SLEEVE /UPPER		B	2	d-V116030503
5	A1UD723500	Fusing Bearing /Upper		A	2	e-V116030803
6	A1DU808600	Drive Gear /F 20/29T		C	1	f-V118030403
7	A1DUF76100	Roller Mounting Plate Caulking		D	1	g-V500010074
8	A03U729200	Support Shaft		D	2	h-V121030403
9	A03U720201	Fusing Roller /2		A	1	i-V223300004
9	A1DUP72100	Fusing Roller /2	(For Envelope Printing)	A	1	k-V182030603
10	A03U725000	Belt Regulating Sleeve		A	2	m-V182040603
11	A03U720100	FUSING ROLLER /1		A	1	n-V116040603
12	A1DU736000	Fusing Belt 251L		A	1	p-V116030603
13	A1DUR71X00	Support Arm / Front		D	1	q-V500020031
14	A03U729700	Spring Shaft /B		D	2	r-V209040050
15	A03U727900	Belt Tension Spring		C	2	s-V118040603
16	A1DUR71Y00	Support Arm / Rear		D	1	
17	56UA75070	FIXING BEARING		A	2	
18	A1DU725100	Mounting Plate		D	1	
19	A03U729101	HEATER SUPPORT PLATE /REAR		D	1	
20	A03UN23200	Grounding Wiring /F		D	1	
21	65AA88010	TEMPERATURE SENSOR 1		B	1	
22	A03U722902	Stay		D	1	
23	A1DUR72000	Stay / B		B	1	
24	A03U725201	Stay /A		D	2	
25	A03U731700	Fusing Seal		C	1	
26	SP00-0032	THERMOSTAT		A	2	
27	A1DUN10400	Fixing Wiring /Middle		D	1	
28	A1DUN10700	Fixing Wiring /Upper		D	1	
29	26NA53780	Terminal Pedestal /B		C	1	
30	A03U729800	Terminal Plate		C	1	
31	26NA54230	TERMINAL FIXING SCREW		C	2	
32	A03U809500	FIXING DRIVE GEAR /O 26T		A	1	
33	A1DU724300	Cover Plate		D	1	
34	A1DUM31A00	Fixing Halogen heater /Upper	A	B	1	
34	A1DUM31E00	Fixing Halogen heater /Upper	B, G2	B	1	
34	A1DUM31F00	Fixing Halogen heater /Upper	C, D1, D3, E, F2, G 1, H, I, J, K	B	1	

# FUSING SECTION



bizhub PRESS C6000/bizhub PRO C6000L

# FUSING SECTION

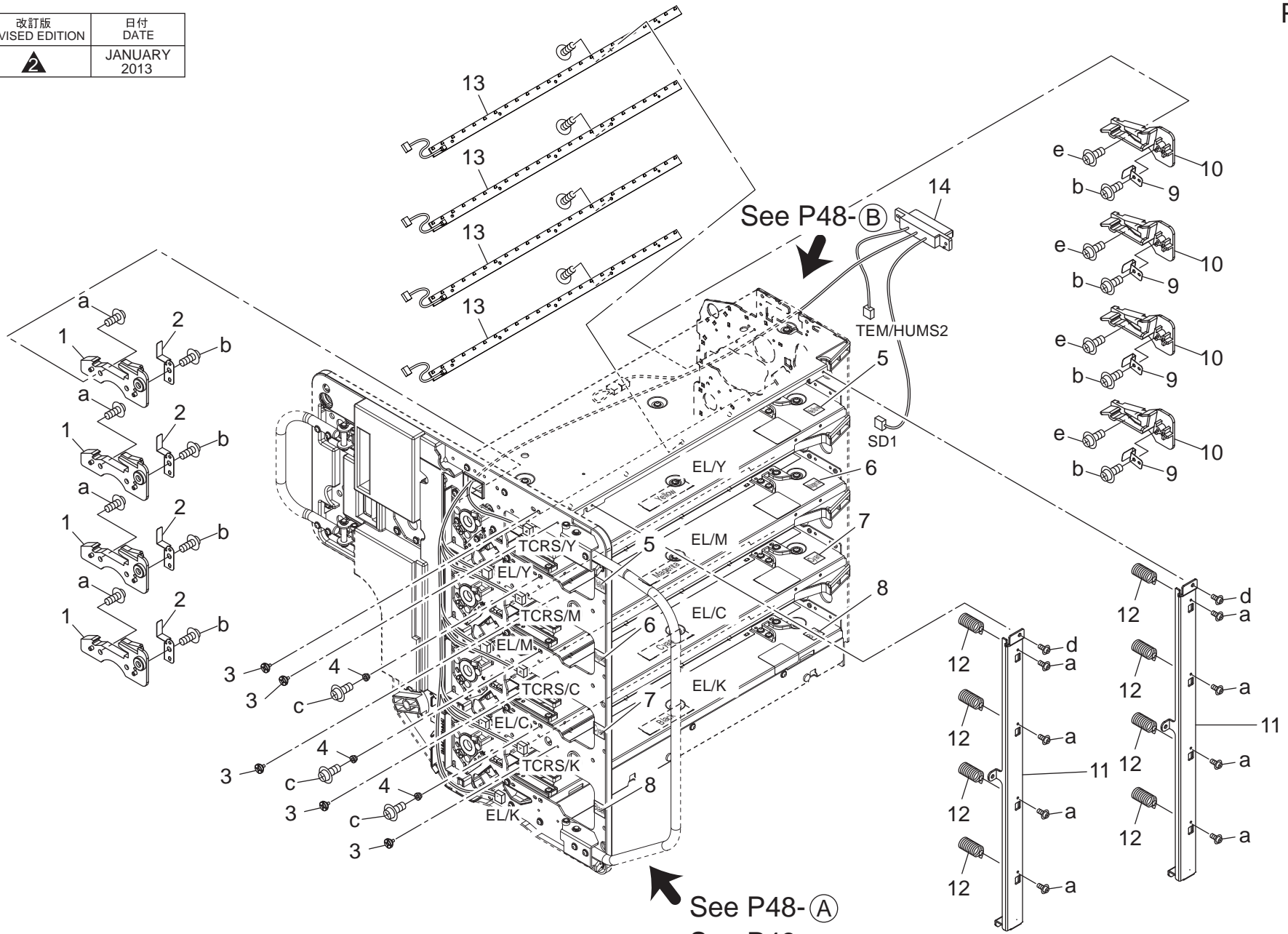
Key	Part No.	Description	Destinations	Class	QTY	Standard parts
1	A1DU763800	Insulating Sheet /2		D	3	a-V570010064 b-V121030603 c-V182030603 d-V570010065
2	A03U734500	Support Screw /A		C	3	
3	A1DU760200	Duct /A		D	1	
4	A1DU763900	Support Screw /A		D	1	
5	A1DU727002	Insulating Sheet /A		D	1	
6	A1DU721300	Insulating Part /1		D	1	
7	A03U731700	Fusing Seal		C	1	
8	A1DU737100	Insulating Sheet /2		D	1	
9	A1DU736600	Insulating Sheet /4		D	1	
10	A1DU737000	Insulating Sheet /3		D	1	
11	A1DU736701	Insulating Sheet /1		D	1	
12	A1DU760100	Cover Plate /1		D	1	
13	A1DU763501	Insulating Sheet /5		D	3	

bizhub PRESS C6000/bizhub PRO C6000L



# PROCESS CARRIAGE SECTION

改訂版 REVISED EDITION	日付 DATE
	JANUARY 2013



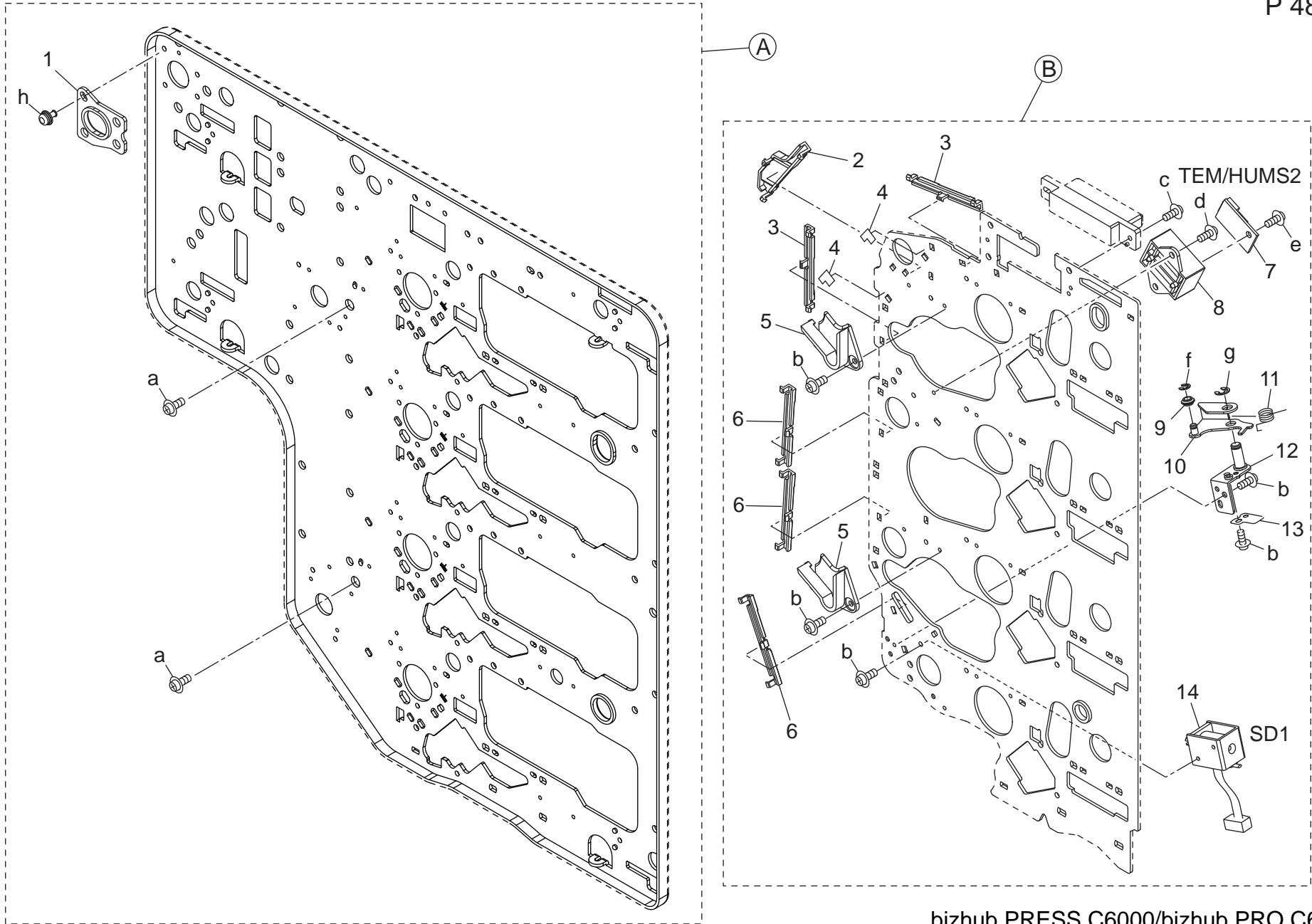
bizhub PRESS C6000/bizhub PRO C6000L

# PROCESS CARRIAGE SECTION

Key	Part No.	Description	Destinations	Class	QTY	Standard parts
1	A03U344200	Drum Mounting Block /Front		D	4	a-V121040403 b-V158030803 c-V118031003 d-V121030603 e-V121030403
2	A03U349500	Plate /1		D	4	
3	65AA22680	CARTRIDGE SUPPORT SCREW		C	5	
4	65AA22830D	Mounting Spacer		D	3	
5	65AA97440	Developing Exchanging Label /Y		D	2	
6	65AA97450	Developing Exchanging Label /M		D	2	
7	65AA97460	Developing Exchanging Label /C		D	2	
8	65AA97470	Developing Exchanging Label /K		D	2	
9	A03U348900	Drum Holding Plate /Rear		D	4	
10	A03U344300	Drum Mounting Block /Rear		D	4	
11	A03U347801	Developing Pressing Plate /2		D	2	
12	65AA22460	DEVELOPING PRESSING SPRING		C	8	
13	A1DUM30700	PCL		C	4	
14	A1DUN11100	Developing Detection Harness /2		D	1	

bizhub PRESS C6000/bizhub PRO C6000L

# PROCESS CARRIAGE SECTION



bizhub PRESS C6000/bizhub PRO C6000L

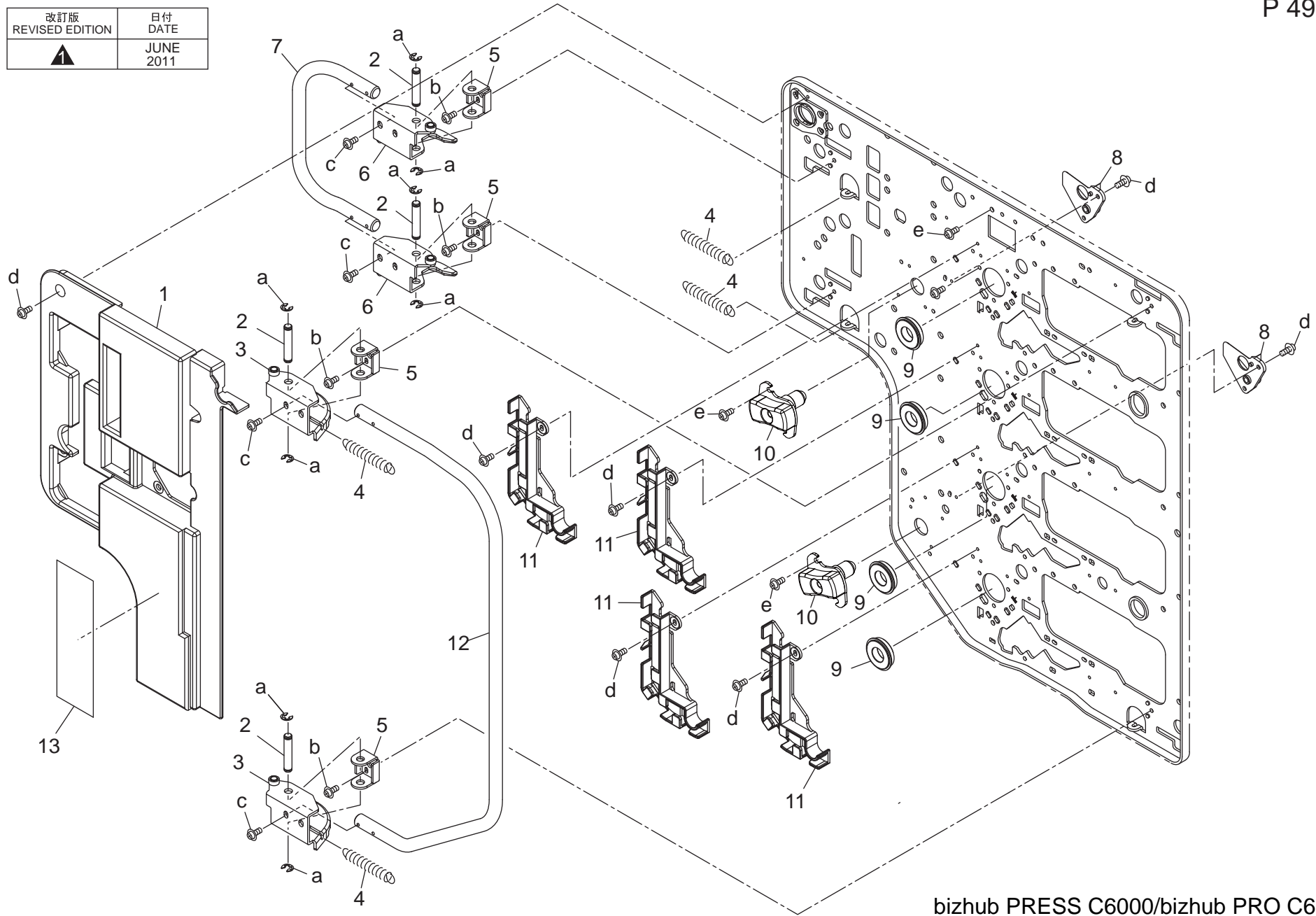
# PROCESS CARRIAGE SECTION

Key	Part No.	Description	Destinations	Class	QTY	Standard parts
1	A03U347200	Carriage Positioning Plate /Left		D	1	a-V126041003
2	A03U347300	Wiring Cover		D	1	b-V121030403
3	A03U347400	Wiring Cover		D	2	c-V121030803
4	56QA20150	CLEANER AUXILIARY SHEET		D	2	d-V121030603
5	65AA22370E	TRANSFER SUPPORT BLOCK /REAR		C	2	e-V158030803
6	65AA22760	WIRING COVER		D	3	f-V217030050
7	A02EM50500	Humidity sensor		C	1	g-V217040050
8	65AA11300	SUPPORT PART		D	1	h-V116040803
9	65AA22750	SEPARATION PRESSURE ROLLER		C	1	
10	65AA-2320	CAM PLATE CAULKING		D	1	
11	65AA22590	SOLENOID RELEASE SPRING		C	1	
12	65AA-2330	CAM FIXING PLATE CAULKING		D	1	
13	65AA22820	SOLENOID SUPPORT PLATE		D	1	
14	26NA82513	Paper Feed Solenoid		B	1	

bizhub PRESS C6000/bizhub PRO C6000L

# PROCESS CARRIAGE SECTION

改訂版 REVISED EDITION	日付 DATE
▲	JUNE 2011



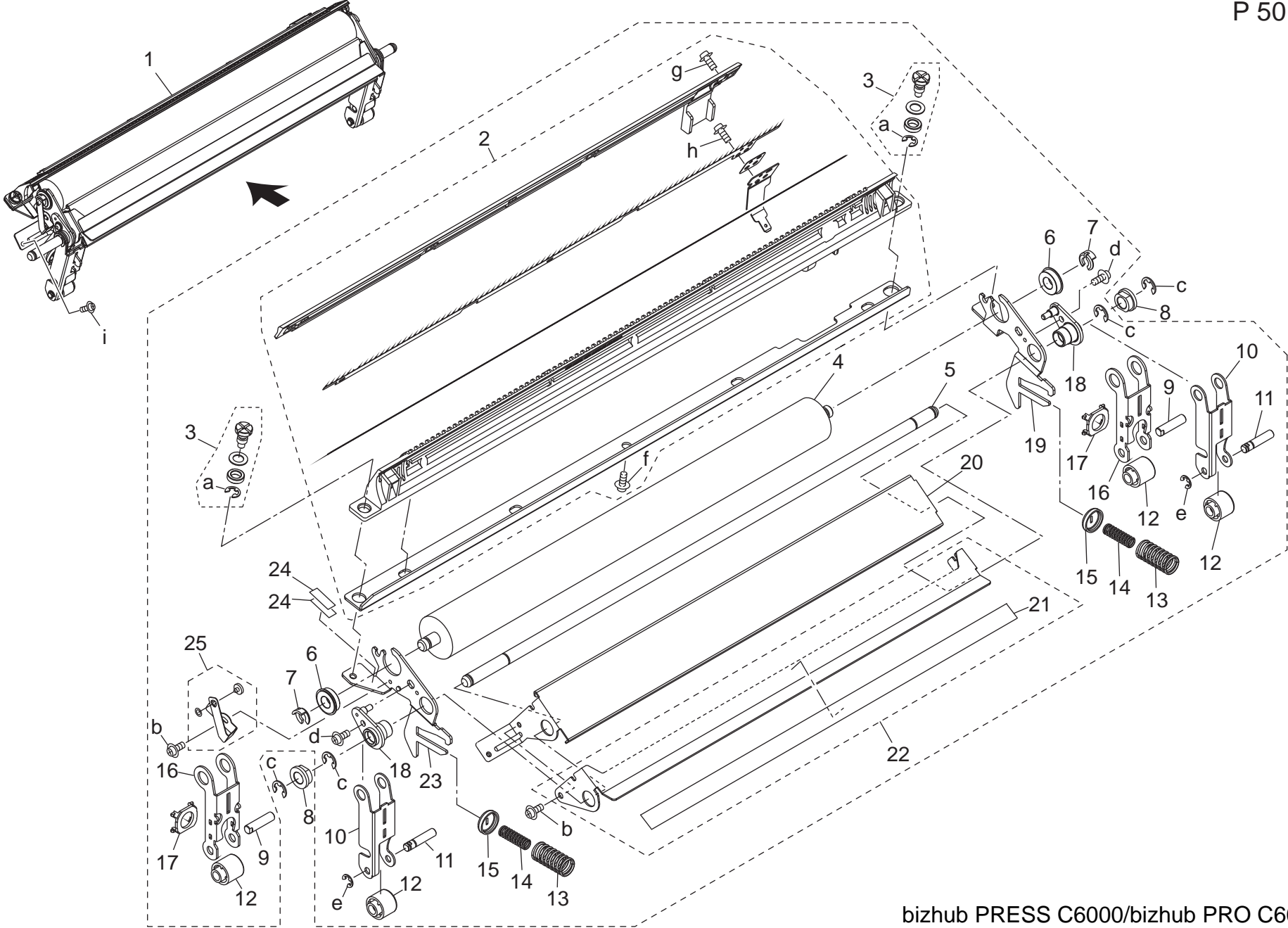
bizhub PRESS C6000/bizhub PRO C6000L

# PROCESS CARRIAGE SECTION

Key	Part No.	Description	Destinations	Class	QTY	Standard parts
1	65AA22350E	FRONT COVER /LEFT		C	1	a-V217040050 b-V121040403 c-V121031203 d-V121030403 e-V121030603
2	65AA22100	CARRIGE LOCKING SHAFT UPPER		D	4	
3	A1DUR74100	Carrige Lock/Right Caulking		D	2	
4	65AA22290	LEVER OPEN SHUT SPRING		C	4	
5	65AA22260	HINGE PLATE A		D	4	
6	A1DUR74200	Carrige Lock/Left Caulking		D	2	
7	65AA22140	Carrige Handle /Left		D	1	
8	65AA22360	TRANSFER SUPPORT BLOCK FRONT		D	2	
9	65AA75081	DRUM SUPPORT BEARING /2		C	4	
10	A1DUR74E00	Belt Positioning Shaft Assy		D	2	
11	65AA22800	WIRING GUIDE COVER		D	4	
12	65AA22130	Carrige Handle /Right		D	1	
13	A1DU944400	Replacement Label		D	1	

bizhub PRESS C6000/bizhub PRO C6000L

SECONDARY TRANSFER SECTION



bizhub PRESS C6000/bizhub PRO C6000L



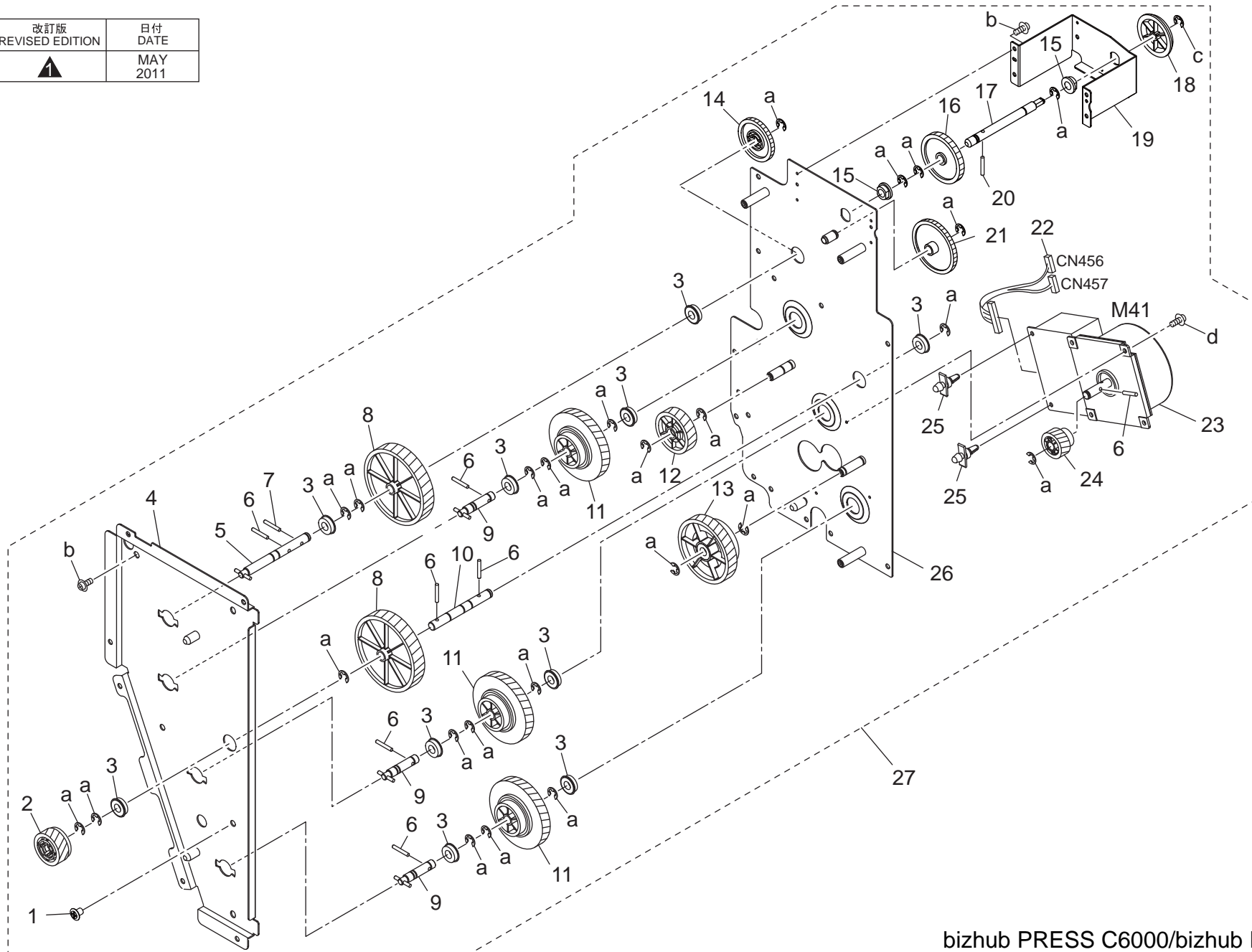
# SECONDARY TRANSFER SECTION

Key	Part No.	Description	Destinations	Class	QTY	Standard parts
1	A1DUR71A00	Second Transfer Unit		C	1	a-V217040050
2	A1DUR73811	Separating Neutralizing Assy		A	1	b-V121030403
3	A1DUR73900	Separating Mt Screw		C	2	c-V217060050
4	65AA45011	TRANSFER ROLLER		A	1	d-V121030603
5	A03U520600	Transfer Shaft		D	1	e-V217030050
6	A1RF529300	Ball bearing		C	2	f-V158030803
7	55VA42120	SHAFT STOPPER		C	2	g-V151020503
8	A03U812800	Slide Shaft Holder		B	2	h-V118020403
9	A03U523600	ROTATION SHAFT /2		D	2	i-V116030603
10	A03U521600	Pressure Lever /1		C	2	
11	A03U521900	Rotation Shaft /1		D	2	
12	A03U521800	Pressure Roll		C	4	
13	A03U523700	Transfer Spring /2		C	2	
14	A03U521700	Transfer Spring /1		C	2	
15	A03U523501	Guide Part /1		C	2	
16	A03U523400	PRESSURE LEVER /2		C	2	
17	A03U523801	GUIDE PART /2		D	2	
18	65AA45070	TRANSFER FULCRUM SHAFT HOLDER		D	2	
19	A03U520301	Transfer Side plate /Rear		D	1	
20	65AA45040	TRANSFER GUIDE PLATE		C	1	
21	A03U523900	HOLDING SHEET		C	1	
22	A1DUR73600	Guide Plate /Upper Assy		C	1	
23	A03U520201	Transfer Side plate /Front		D	1	
24	A03U524100	Adjusting Spacer		D	2	
25	A1DUR73700	Transfer Earth Plate Assy		B	1	



# PAPER FEED DRIVING SECTION

改訂版 REVISED EDITION	日付 DATE
▲	MAY 2011



bizhub PRESS C6000/bizhub PRO C6000L

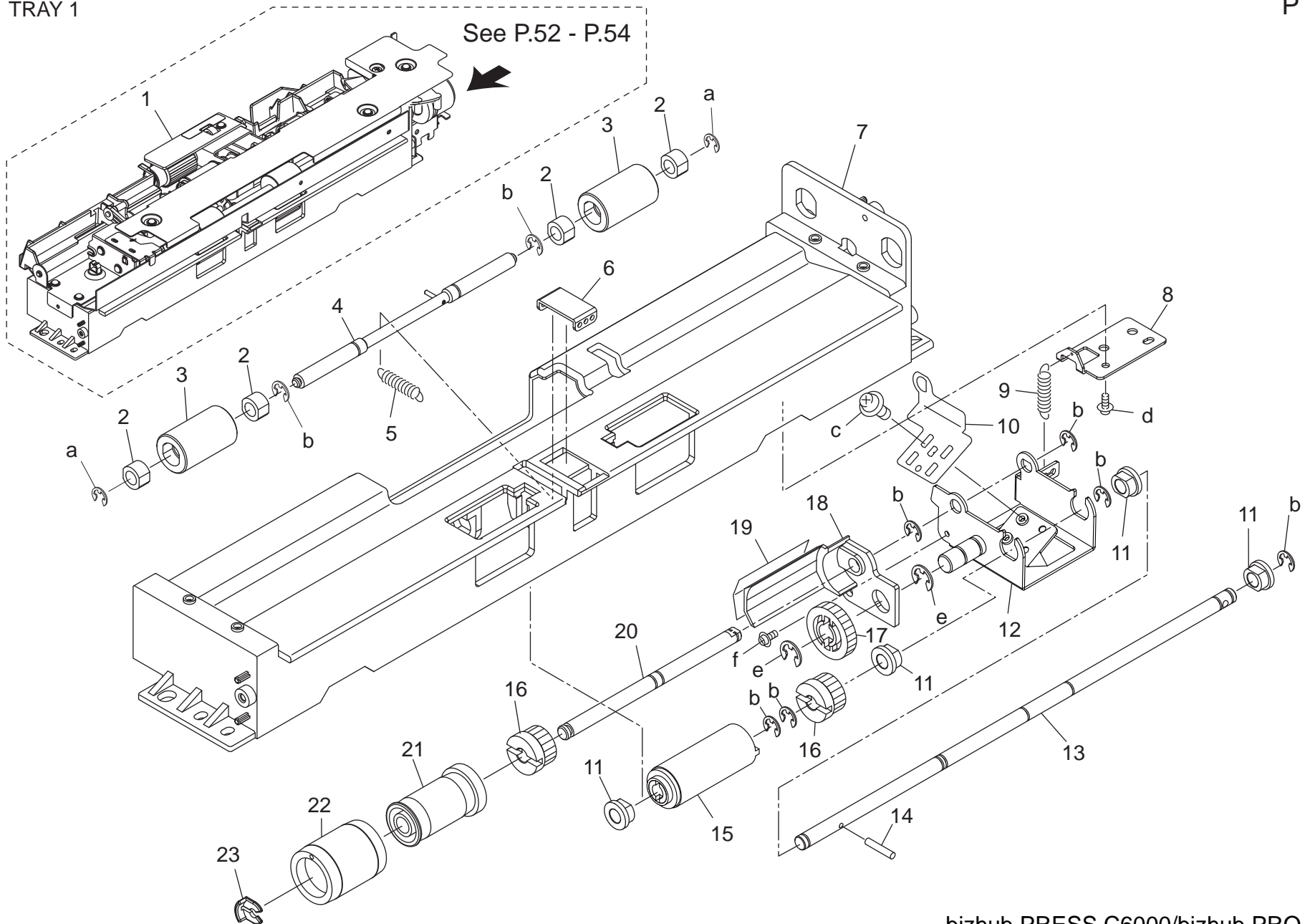
# PAPER FEED DRIVING SECTION

Key	Part No.	Description	Destinations	Class	QTY	Standard parts
1	A00J618400	Screw		C	1	a-V217060050 b-V121030603 c-V217040050 d-V121030803
2	65AA77540	PAPER FEED GEAR 2 29T		C	1	
3	A00V240600	BALL BEARING		B	10	
4	65AA-4120	PF DRIVING PANEL/2CAULKING		D	1	
5	A1DUR72K00	Pf Driving Shaft/5Pin Hammer		D	1	
6	56AA17480	PIN B		C	7	
7	56AA17461	PIN A		B	1	
8	65AA77530	Paper Feed Gear /1 69T		C	2	
9	A1DUR72J00	Pf Driving Shaft/1Pin Hammer		D	3	
10	65AA41040	PAPER FEED DRIVING SHAFT 2		D	1	
11	55VA77130	PAPER FEED DRIVE GEAR /C 36/63T		B	3	
12	65AA77980	Paper Feed Gear /4 37T		C	1	
13	65AA77990	Paper Feed Gear /5 58T/40T		C	1	
14	25SA77420	MULTI-FEED DRIVE GEAR 24/41T		C	1	
15	090075530	BUSHING		B	2	
16	65AA78050E	Idling Gear /H 48T		C	1	
17	65AA24171	TONER COLLECTING SHAFT		C	1	
18	65AA77850	TONER COLLECTING GEAR 3 27T		C	1	
19	65AA24300	TONER COLLECTING PANEL 1		C	1	
20	56AA17471	PIN B 3X12		C	1	
21	07AA77302	SIDE GEAR E 52T		B	1	
22	65AA90890E	PAPER FEED RELAY WIRING		D	1	
23	65AA80021	DC Brushless Motor /50		B	1	
24	65AA77860	PAPER FEED GEAR 3 23T		C	1	
25	V502010015	support		D	2	
26	65AA-4110E	Paper Feed Drive Panel /1 Caulking		D	1	
27	A1DUR74S00	Paper Feed Drive Assy		C	1	

# PAPER FEED SECTION : UPPER

TRAY 1

See P.52 - P.54



bizhub PRESS C6000/bizhub PRO C6000L

PAPER FEED SECTION : UPPER

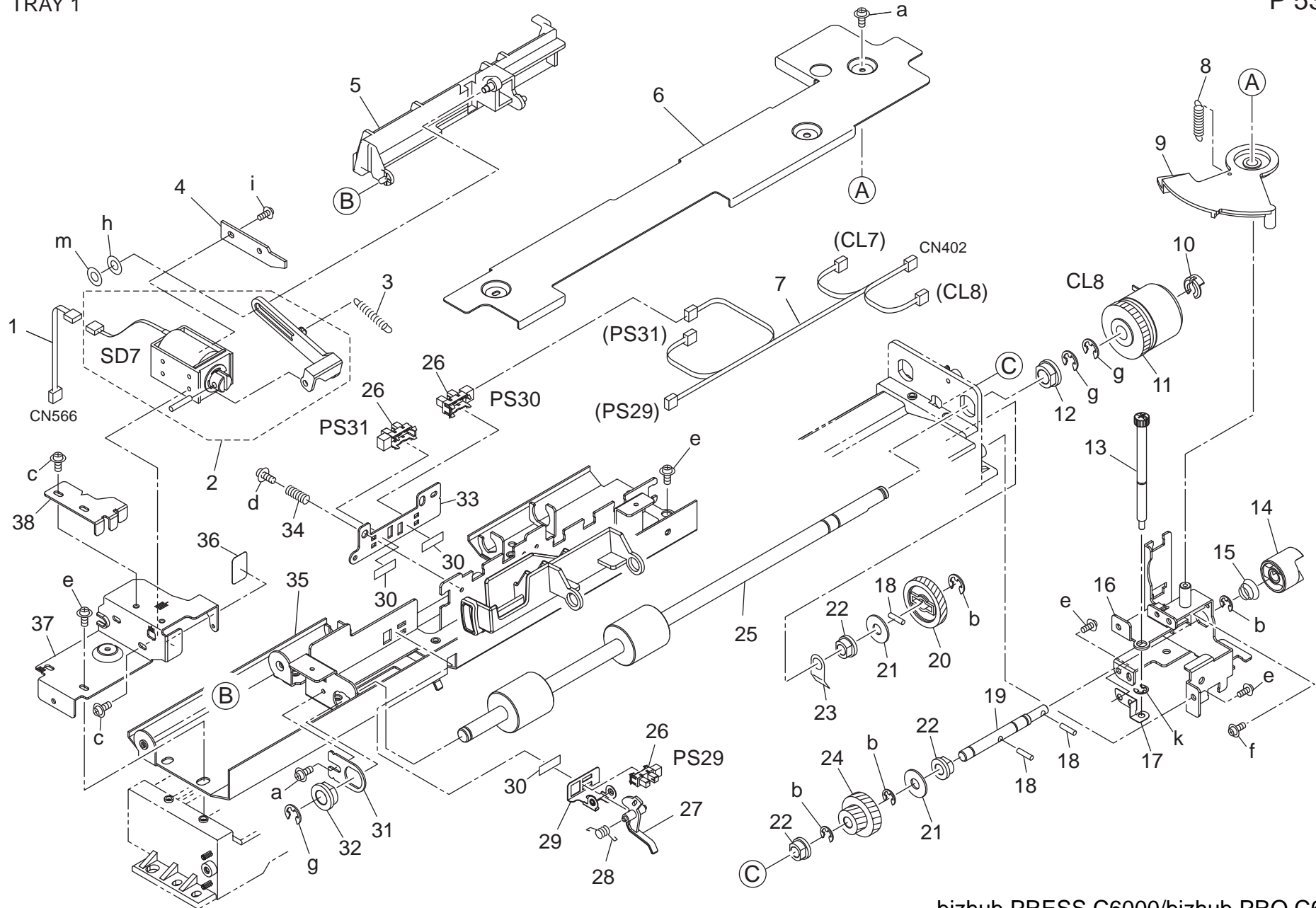
Key	Part No.	Description	Destinations	Class	QTY	Standard parts
1	A1DUR71H00	Peper Feed Unit		S	1	a-V217030050
2	A03U850101	Slide Bushing		C	4	b-V217040050
3	26NA42560	BY PASS FEED DRIVEN ROLLER		C	2	c-V116030603
4	A1DUR71K00	Paper Feed Driven Shaft Assy		D	1	d-V153030803
5	56AA40481	PAPERFEEDPRESSINGSRING		C	1	e-V217060050
6	56AA40430	SPRING MOUNTING PLATE 1		D	1	f-V121030603
7	56AA40010	Paper Feed Main Body		C	1	
8	56AA40440	SPRING MOUNTING PLATE 2		D	1	
9	57AA40420	MULTI FEED PREVENTING SPRING		C	1	
10	56QA40550	MULTI FEED ADJUSTMENT PLATE		D	1	
11	A00J663200	Bushing		C	4	
12	56QA40080	Multi-feed Preventing Plate		C	1	
13	56QA40250	MULTI FEED SUPPORT SHAFT		D	1	
14	56AA17510	PIN B		C	1	
15	A03X565611	Torque Limiter /A		B	1	
16	55VA79030	Paper Feed Reversal Gear /C 14T		B	2	
17	26NA42061	BY PASS FEED CONVEYING GEAR 21T		B	1	
18	56AA40530	ENTRANCE GUIDE PART		D	1	
19	56AA40540	ENTRANCE GUIDE SHEET		C	1	
20	56QA40270	MULTI FEED REVERSE SHAFT		D	1	
21	56AA40360	Reverse Roller		C	1	
22	25SA40960	DOUBLE FEED PREVENTION RUBBER		A	1	
23	A1RF620301	Stopper Collar		D	1	

bizhub PRESS C6000/bizhub PRO C6000L

# PAPER FEED SECTION : UPPER

TRAY 1

P 53



bizhub PRESS C6000/bizhub PRO C6000L

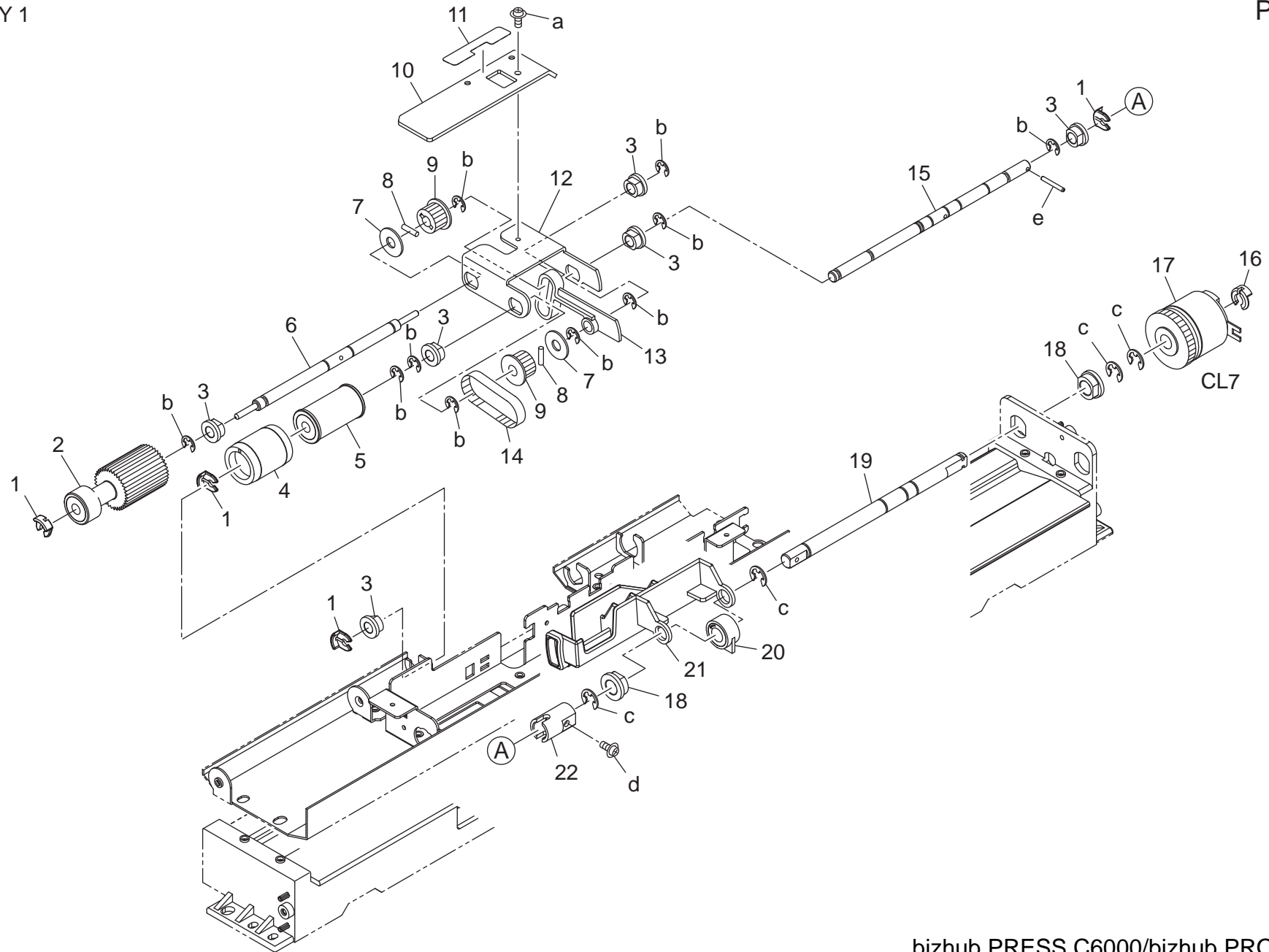
PAPER FEED SECTION : UPPER

Key	Part No.	Description	Destinations	Class	QTY	Standard parts
1	A1RFN26000	Relay harness /C		D	1	a-V121030603
2	A1DUR71M00	Solenoid Assy		C	1	b-V217040050
3	65AA40060	RELEASE SPRING		C	1	c-V116030503
4	65AA40110	GUIDE PART		D	1	d-V121030403
5	65AA40010	Regulating Plate		D	1	e-V153030803
6	56AA40100G	Wiring Protection Cover		D	1	f-V111030803
7	56AA90610E	PAPER FEED WIRING /2		D	1	g-V217060050
8	56AA17121	SEPARATE SPRING UPPER		C	1	h-V207030003
9	56AA40390	CAM PLATE		C	1	i-V118030403
10	55VA42120	SHAFT STOPPER		C	1	k-V217030050
11	56AA82012	PAPER FEED DRIVING CLUTCH		B	1	m-V226030050
12	55VA75540	PAPER FEED SHAFT HOLDER B		B	1	
13	56AA40120	PAPER FEED HOLDING SCREW		C	1	
14	56AA40450	PAPER FEED COUPLING PART		C	1	
15	56AA40510	PRESSING SPRING		C	1	
16	56AA40090	DRIVE MOUNTING PLATE		D	1	
17	56AA40470	SCREW EARTH PLATE		C	1	
18	56AA17480	PIN B		C	3	
19	56AA40240	PAPER FEED INPUT SHAFT		D	1	
20	56AA77730	PAPER FEED REVERSING GEAR 2 33T		C	1	
21	56AA17760	COLLAR		C	2	
22	A00J663200	Bushing		C	3	
23	56AA40500	SHAFT HOLDER EARTH PLATE		C	1	
24	56AA77720E	Paper Feed Reverse Gear /1 16/22T		C	1	
25	56AA40230	PAPER FEED REGISTRATION ROLLER		C	1	
26	08AA85512	Photo Sensor		B	3	
27	56AA40171	PAPER FEED DETECTING ACTUATOR		C	1	
28	56AA40190	PRESSING SPRING		C	1	
29	56AA40310	MOUNTING PLATE		D	1	
30	4109553001	STOPPER		C	3	
31	56AA40370	ADJUSTING PLATE		D	1	
32	A03U812800	Slide Shaft Holder		B	1	
33	56AA40460	ADJUSTMENT PLATE		D	1	
34	56AA40520	EARTH SPRING		C	1	
35	56AA40032E	Paper Feed Guide Plate /Upper		C	1	
36	65AA40070	REGULATING SHEET		C	1	
37	65AA40020	SOLENOID MOUNTING PLATE		D	1	
38	65AA40090D	Solenoid Fixing Plate		D	1	

# PAPER FEED SECTION : UPPER

TRAY 1

P 54



bizhub PRESS C6000/bizhub PRO C6000L

PAPER FEED SECTION : UPPER

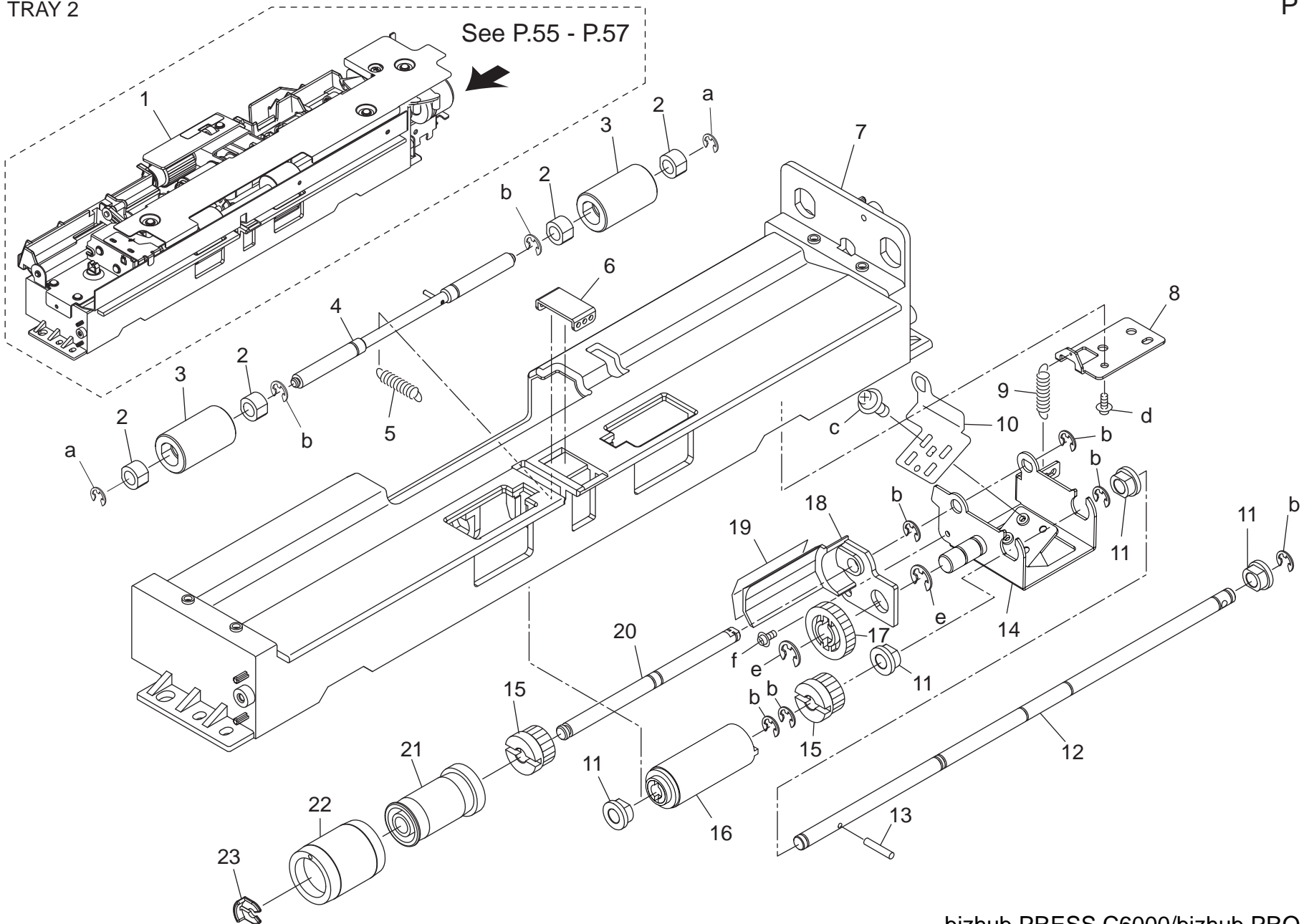
Key	Part No.	Description	Destinations	Class	QTY	Standard parts
1	56AA40490	SHAFT STOPPER 4		C	4	a-V121030603 b-V217040050 c-V217060050 d-V118030603 e-V233201450
2	A1DUR71J00	Paper Feed Oscillate Roller		B	1	
3	A00J663200	Bushing		C	6	
4	25SA40960	DOUBLE FEED PREVENTION RUBBER		A	1	
5	25AA40100	Feeding Roller /B		B	1	
6	A03U560200	Swing Shaft		D	1	
7	56AA17760	COLLAR		C	2	
8	56AA17510	PIN B		C	2	
9	059076510	PULLEY 1 15T		C	2	
10	65AA40080E	Paper feed Auxiliary Plate		D	1	
11	65GE97400	GUIDE LABEL /1		C	1	
12	56AA40070	Paper feed Swing Plate		D	1	
13	56AA40300	PAPER QUANTITY ACTUATOR		C	1	
14	56AA77590	PAPER FEED ROCKING BELT 111L		C	1	
15	A03U560100	Feeding Shaft		D	1	
16	55VA42120	SHAFT STOPPER		C	1	
17	56AA82012	PAPER FEED DRIVING CLUTCH		B	1	
18	A03U812800	Slide Shaft Holder		B	2	
19	A03U560300	DRIVE SHAFT		D	1	
20	56AA40380	PAPER FEED REGULATING BLOCK		B	1	
21	A03U560500	Regulating Plate /Rear		C	1	
22	55FA40320	COUPLING		C	1	



# PAPER FEED SECTION : MIDDLE

TRAY 2

See P.55 - P.57



bizhub PRESS C6000/bizhub PRO C6000L

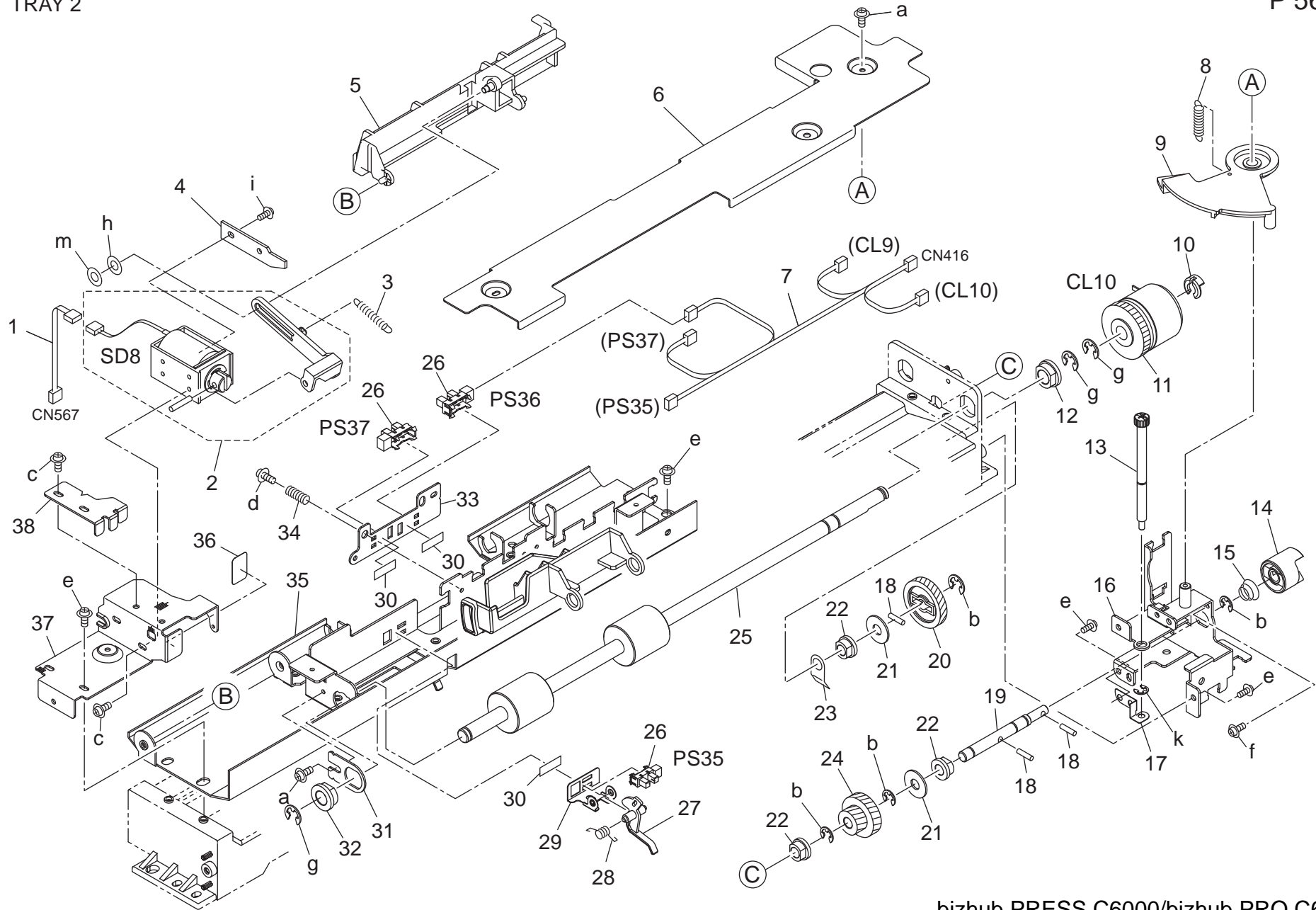
PAPER FEED SECTION : MIDDLE

Key	Part No.	Description	Destinations	Class	QTY	Standard parts
1	A1DUR71H00	Peper Feed Unit	給紙ユニット	S	1	a-V217030050
2	A03U850101	Slide Bushing	すべり軸受	C	4	b-V217040050
3	26NA42560	BY PASS FEED DRIVEN ROLLER	手差し従動ローラ	C	2	c-V116030603
4	A1DUR71K00	Paper Feed Driven Shaft Assy	給紙従動軸組	D	1	d-V153030803
5	56AA40481	PAPERFEEDPRESSINGSPRING	給紙押圧バネ	C	1	e-V217060050
6	56AA40430	SPRING MOUNTING PLATE 1	バネ取り付け板 / 1	D	1	f-V121030603
7	56AA40010	Paper Feed Main Body	給紙本体	C	1	
8	56AA40440	SPRING MOUNTING PLATE 2	バネ取り付け板 / 2	D	1	
9	57AA40420	MULTI FEED PREVENTING SPRING	重送防止バネ	C	1	
10	56QA40550	MULTI FEED ADJUSTMENT PLATE	重送調整板	D	1	
11	A00J663200	Bushing	すべり軸受	C	4	
12	56QA40250	MULTI FEED SUPPORT SHAFT	重送支点軸	D	1	
13	56AA17510	PIN B	ピン B	C	1	
14	56QA40080	Multi-feed Preventing Plate	重送防止板	C	1	
15	55VA79030	Paper Feed Reversal Gear /C 14T	給紙逆転歯車 / C 14 T	B	2	
16	A03X565611	Torque Limiter /A	トルクリミッタ / A	B	1	
17	26NA42061	BY PASS FEED CONVEYING GEAR 21T	手差し搬送ギア 21 T	B	1	
18	56AA40530	ENTRANCE GUIDE PART	入口ガイド部材	D	1	
19	56AA40540	ENTRANCE GUIDE SHEET	入口ガイドシート	C	1	
20	56QA40270	MULTI FEED REVERSE SHAFT	重送逆転軸	D	1	
21	56AA40360	Reverse Roller	逆転ローラー	C	1	
22	25SA40960	DOUBLE FEED PREVENTION RUBBER	重送防止ゴム	A	1	
23	A1RF620301	Stopper Collar	ストップパカラー	D	1	

# PAPER FEED SECTION : MIDDLE

TRAY 2

P 56



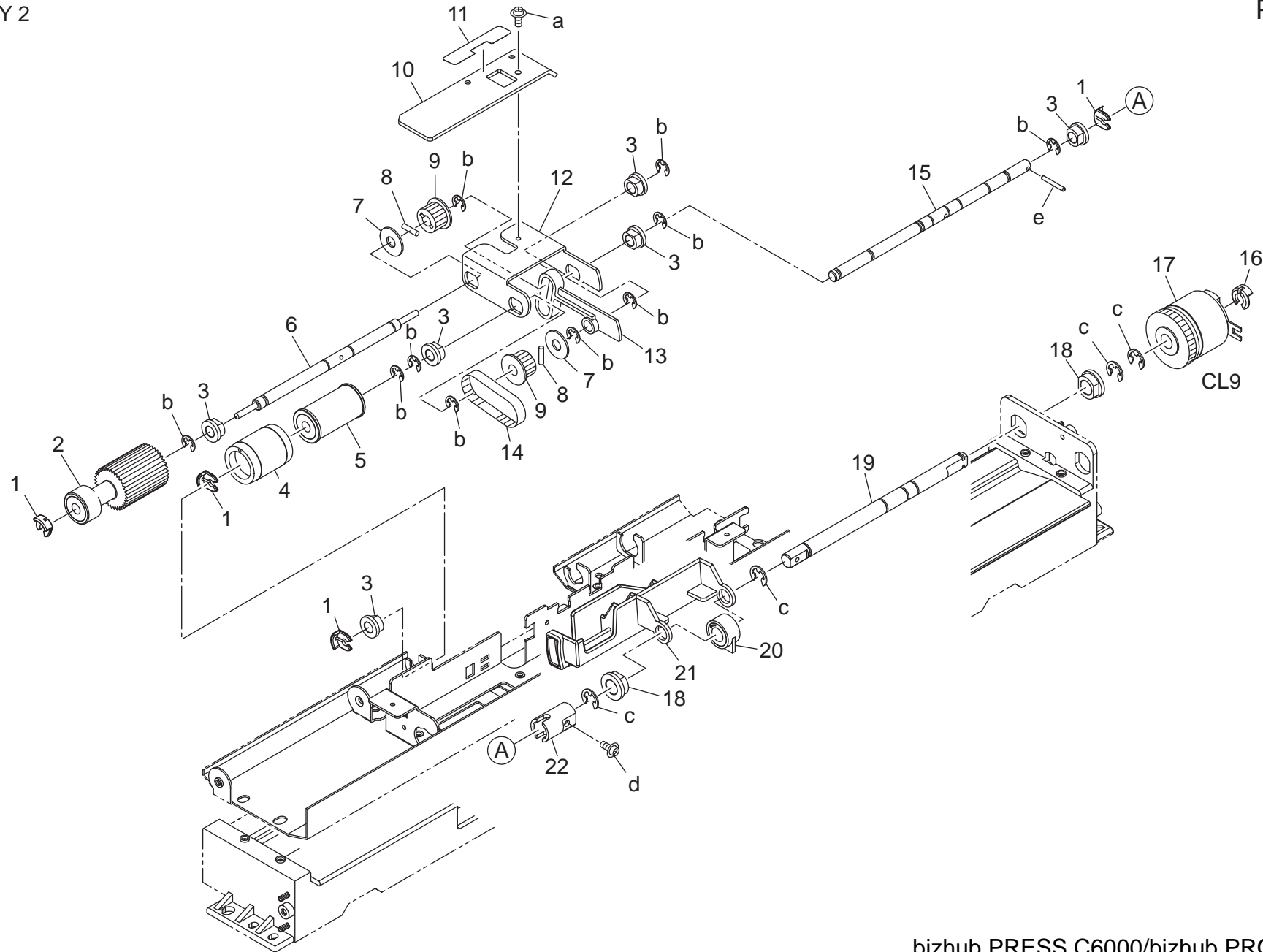
bizhub PRESS C6000/bizhub PRO C6000L

Key	Part No.	Description	Destinations	Class	QTY	Standard parts
1	A1RFN26000	Relay harness /C		D	1	a-V121030603
2	A1DUR71M00	Solenoid Assy		C	1	b-V217040050
3	65AA40060	RELEASE SPRING		C	1	c-V116030503
4	65AA40110	GUIDE PART		D	1	d-V121030403
5	65AA40010	Regulating Plate		D	1	e-V153030803
6	56AA40100G	Wiring Protection Cover		D	1	f-V111030803
7	56AA90610E	PAPER FEED WIRING /2		D	1	g-V217060050
8	56AA17121	SEPARATE SPRING UPPER		C	1	h-V207030003
9	56AA40390	CAM PLATE		C	1	i-V118030403
10	55VA42120	SHAFT STOPPER		C	1	k-V217030050
11	56AA82012	PAPER FEED DRIVING CLUTCH		B	1	m-V226030050
12	55VA75540	PAPER FEED SHAFT HOLDER B		B	1	
13	56AA40120	PAPER FEED HOLDING SCREW		C	1	
14	56AA40450	PAPER FEED COUPLING PART		C	1	
15	56AA40510	PRESSING SPRING		C	1	
16	56AA40090	DRIVE MOUNTING PLATE		D	1	
17	56AA40470	SCREW EARTH PLATE		C	1	
18	56AA17480	PIN B		C	3	
19	56AA40240	PAPER FEED INPUT SHAFT		D	1	
20	56AA77730	PAPER FEED REVERSING GEAR 2 33T		C	1	
21	56AA17760	COLLAR		C	2	
22	A00J663200	Bushing		C	3	
23	56AA40500	SHAFT HOLDER EARTH PLATE		C	1	
24	56AA77720E	Paper Feed Reverse Gear /1 16/22T		C	1	
25	56AA40230	PAPER FEED REGISTRATION ROLLER		C	1	
26	08AA85512	Photo Sensor		B	3	
27	56AA40171	PAPER FEED DETECTING ACTUATOR		C	1	
28	56AA40190	PRESSING SPRING		C	1	
29	56AA40310	MOUNTING PLATE		D	1	
30	4109553001	STOPPER		C	3	
31	56AA40370	ADJUSTING PLATE		D	1	
32	A03U812800	Slide Shaft Holder		B	1	
33	56AA40460	ADJUSTMENT PLATE		D	1	
34	56AA40520	EARTH SPRING		C	1	
35	56AA40032E	Paper Feed Guide Plate /Upper		C	1	
36	65AA40070	REGULATING SHEET		C	1	
37	65AA40020	SOLENOID MOUNTING PLATE		D	1	
38	65AA40090D	Solenoid Fixing Plate		D	1	

# PAPER FEED SECTION : MIDDLE

TRAY 2

P 57



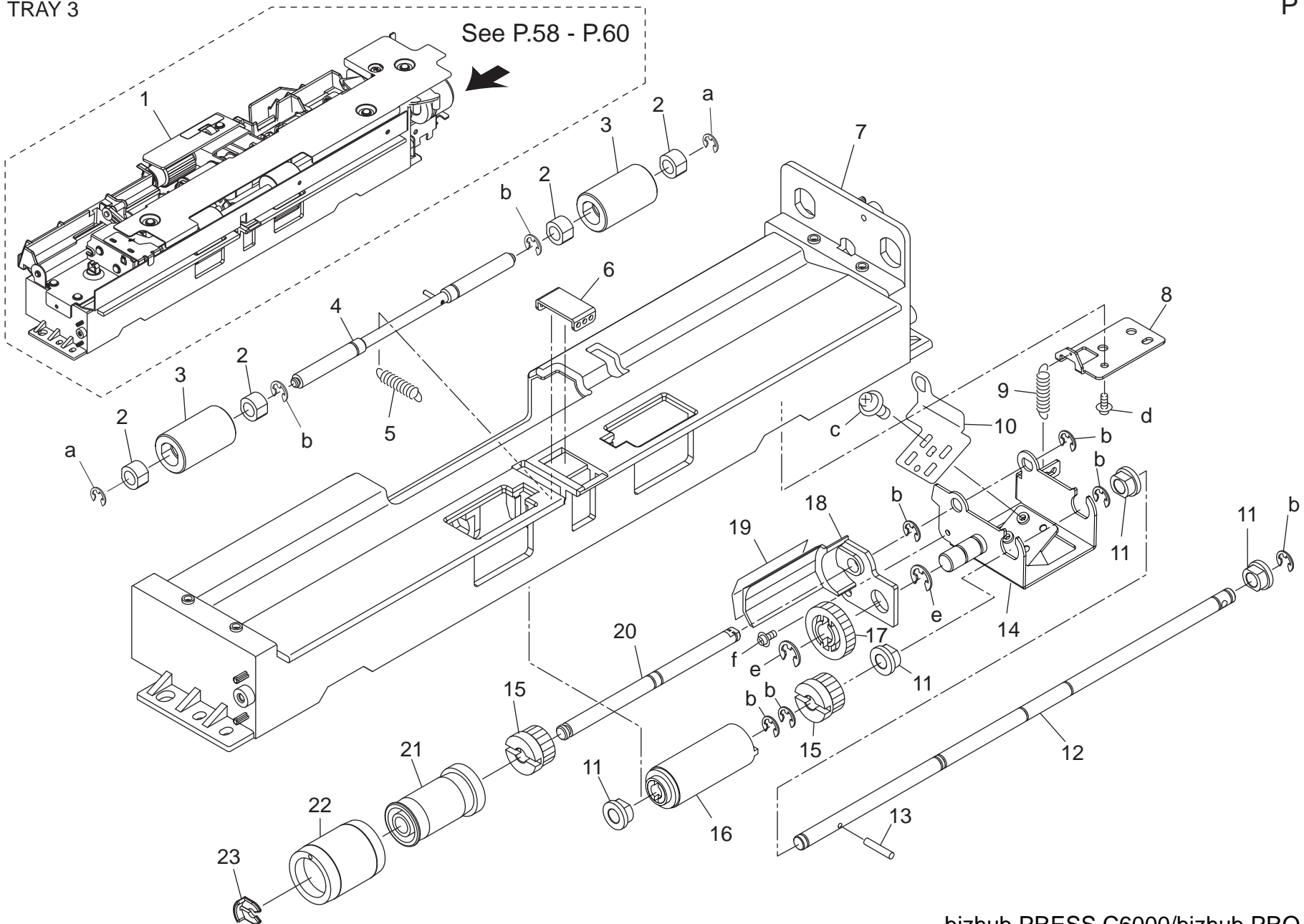
bizhub PRESS C6000/bizhub PRO C6000L

Key	Part No.	Description	Destinations	Class	QTY	Standard parts
1	56AA40490	SHAFT STOPPER 4		C	4	a-V121030603 b-V217040050 c-V217060050 d-V118030603 e-V233201450
2	A1DUR71J00	Paper Feed Oscillate Roller		B	1	
3	A00J663200	Bushing		C	6	
4	25SA40960	DOUBLE FEED PREVENTION RUBBER		A	1	
5	25AA40100	Feeding Roller /B		B	1	
6	A03U560200	Swing Shaft		D	1	
7	56AA17760	COLLAR		C	2	
8	56AA17510	PIN B		C	2	
9	059076510	PULLEY 1 15T		C	2	
10	65AA40080E	Paper feed Auxiliary Plate		D	1	
11	65GE97400	GUIDE LABEL /1		C	1	
12	56AA40070	Paper feed Swing Plate		D	1	
13	56AA40300	PAPER QUANTITY ACTUATOR		C	1	
14	56AA77590	PAPER FEED ROCKING BELT 111L		C	1	
15	A03U560100	Feeding Shaft		D	1	
16	55VA42120	SHAFT STOPPER		C	1	
17	56AA82012	PAPER FEED DRIVING CLUTCH		B	1	
18	A03U812800	Slide Shaft Holder		B	2	
19	A03U560300	DRIVE SHAFT		D	1	
20	56AA40380	PAPER FEED REGULATING BLOCK		B	1	
21	A03U560500	Regulating Plate /Rear		C	1	
22	55FA40320	COUPLING		C	1	

# PAPER FEED SECTION : LOWER

TRAY 3

See P.58 - P.60



bizhub PRESS C6000/bizhub PRO C6000L

PAPER FEED SECTION : LOWER

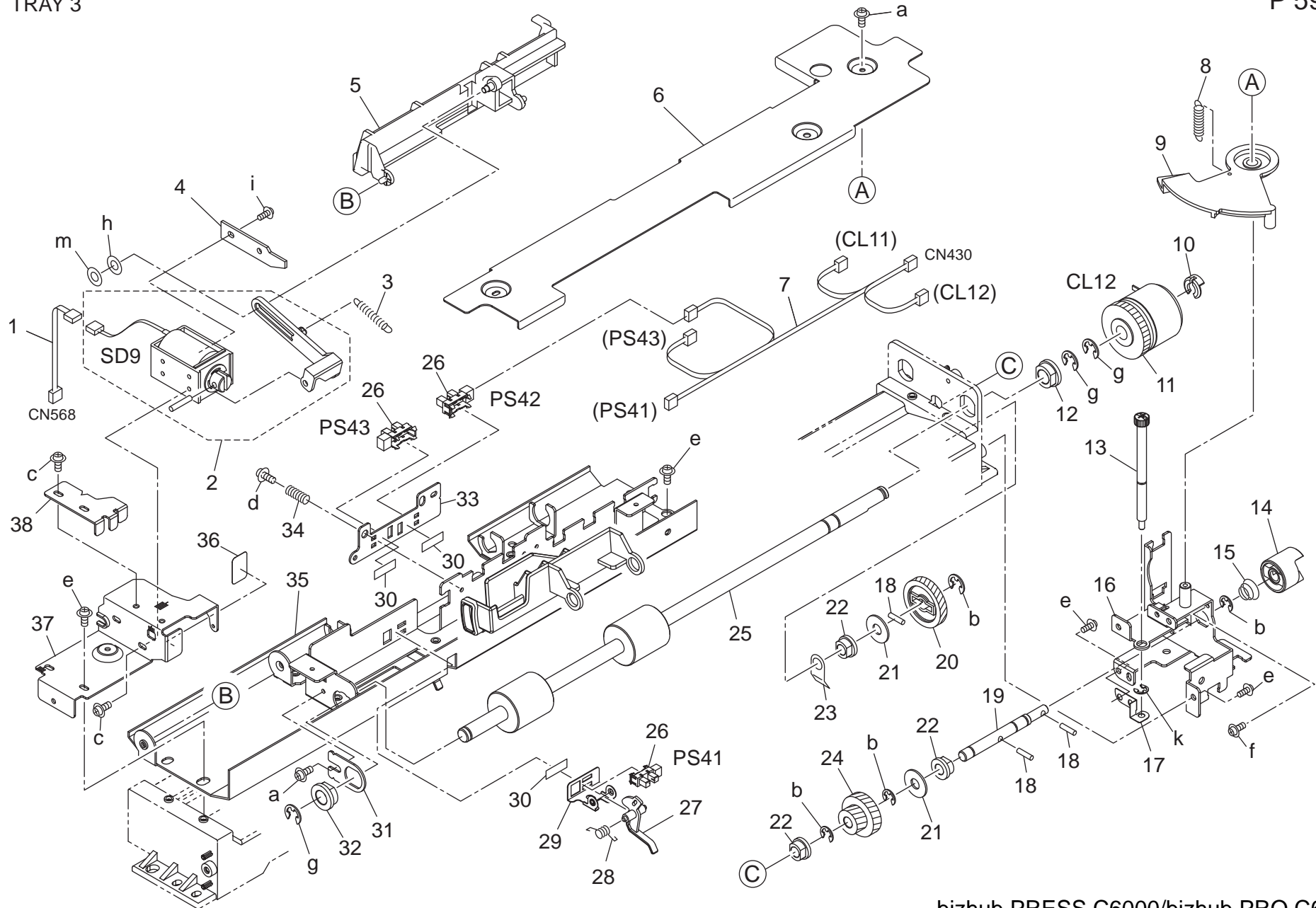
Key	Part No.	Description	Destinations	Class	QTY	Standard parts
1	A1DUR71H00	Peper Feed Unit		S	1	a-V217030050
2	A03U850101	Slide Bushing		C	4	b-V217040050
3	26NA42560	BY PASS FEED DRIVEN ROLLER		C	2	c-V116030603
4	A1DUR71K00	Paper Feed Driven Shaft Assy		D	1	d-V153030803
5	56AA40481	PAPERFEEDPRESSINGSRING		C	1	e-V217060050
6	56AA40430	SPRING MOUNTING PLATE 1		D	1	f-V121030603
7	56AA40010	Paper Feed Main Body		C	1	
8	56AA40440	SPRING MOUNTING PLATE 2		D	1	
9	57AA40420	MULTI FEED PREVENTING SPRING		C	1	
10	56QA40550	MULTI FEED ADJUSTMENT PLATE		D	1	
11	A00J663200	Bushing		C	4	
12	56QA40250	MULTI FEED SUPPORT SHAFT		D	1	
13	56AA17510	PIN B		C	1	
14	56QA40080	Multi-feed Preventing Plate		C	1	
15	55VA79030	Paper Feed Reversal Gear /C 14T		B	2	
16	A03X565611	Torque Limiter /A		B	1	
17	26NA42061	BY PASS FEED CONVEYING GEAR 21T		B	1	
18	56AA40530	ENTRANCE GUIDE PART		D	1	
19	56AA40540	ENTRANCE GUIDE SHEET		C	1	
20	56QA40270	MULTI FEED REVERSE SHAFT		D	1	
21	56AA40360	Reverse Roller		C	1	
22	25SA40960	DOUBLE FEED PREVENTION RUBBER		A	1	
23	A1RF620301	Stopper Collar		D	1	



# PAPER FEED SECTION : LOWER

TRAY 3

P 59



bizhub PRESS C6000/bizhub PRO C6000L

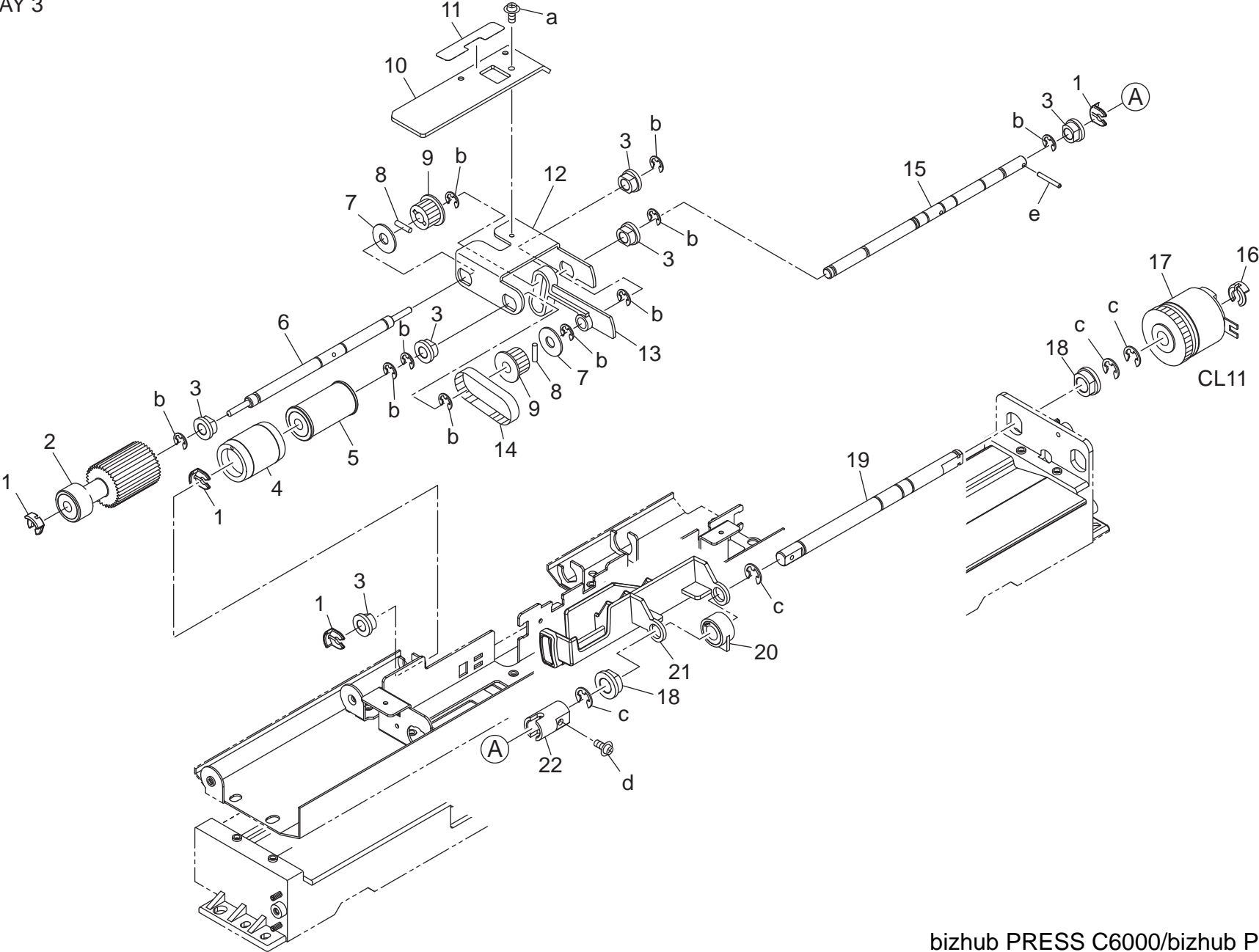
PAPER FEED SECTION : LOWER

Key	Part No.	Description	Destinations	Class	QTY	Standard parts
1	A1RFN26000	Relay harness /C		D	1	a-V121030603
2	A1DUR71M00	Solenoid Assy		C	1	b-V217040050
3	65AA40060	RELEASE SPRING		C	1	c-V116030503
4	65AA40110	GUIDE PART		D	1	d-V121030403
5	65AA40010	Regulating Plate		D	1	e-V153030803
6	56AA40100G	Wiring Protection Cover		D	1	f-V111030803
7	56AA90610E	PAPER FEED WIRING /2		D	1	g-V217060050
8	56AA17121	SEPARATE SPRING UPPER		C	1	h-V207030003
9	56AA40390	CAM PLATE		C	1	i-V118030403
10	55VA42120	SHAFT STOPPER		C	1	k-V217030050
11	56AA82012	PAPER FEED DRIVING CLUTCH		B	1	m-V226030050
12	55VA75540	PAPER FEED SHAFT HOLDER B		B	1	
13	56AA40120	PAPER FEED HOLDING SCREW		C	1	
14	56AA40450	PAPER FEED COUPLING PART		C	1	
15	56AA40510	PRESSING SPRING		C	1	
16	56AA40090	DRIVE MOUNTING PLATE		D	1	
17	56AA40470	SCREW EARTH PLATE		C	1	
18	56AA17480	PIN B		C	3	
19	56AA40240	PAPER FEED INPUT SHAFT		D	1	
20	56AA77730	PAPER FEED REVERSING GEAR 2 33T		C	1	
21	56AA17760	COLLAR		C	2	
22	A00J663200	Bushing		C	3	
23	56AA40500	SHAFT HOLDER EARTH PLATE		C	1	
24	56AA77720E	Paper Feed Reverse Gear /1 16/22T		C	1	
25	56AA40230	PAPER FEED REGISTRATION ROLLER		C	1	
26	08AA85512	Photo Sensor		B	3	
27	56AA40171	PAPER FEED DETECTING ACTUATOR		C	1	
28	56AA40190	PRESSING SPRING		C	1	
29	56AA40310	MOUNTING PLATE		D	1	
30	4109553001	STOPPER		C	3	
31	56AA40370	ADJUSTING PLATE		D	1	
32	A03U812800	Slide Shaft Holder		B	1	
33	56AA40460	ADJUSTMENT PLATE		D	1	
34	56AA40520	EARTH SPRING		C	1	
35	56AA40032E	Paper Feed Guide Plate /Upper		C	1	
36	65AA40070	REGULATING SHEET		C	1	
37	65AA40020	SOLENOID MOUNTING PLATE		D	1	
38	65AA40090D	Solenoid Fixing Plate		D	1	

# PAPER FEED SECTION : LOWER

TRAY 3

P 60



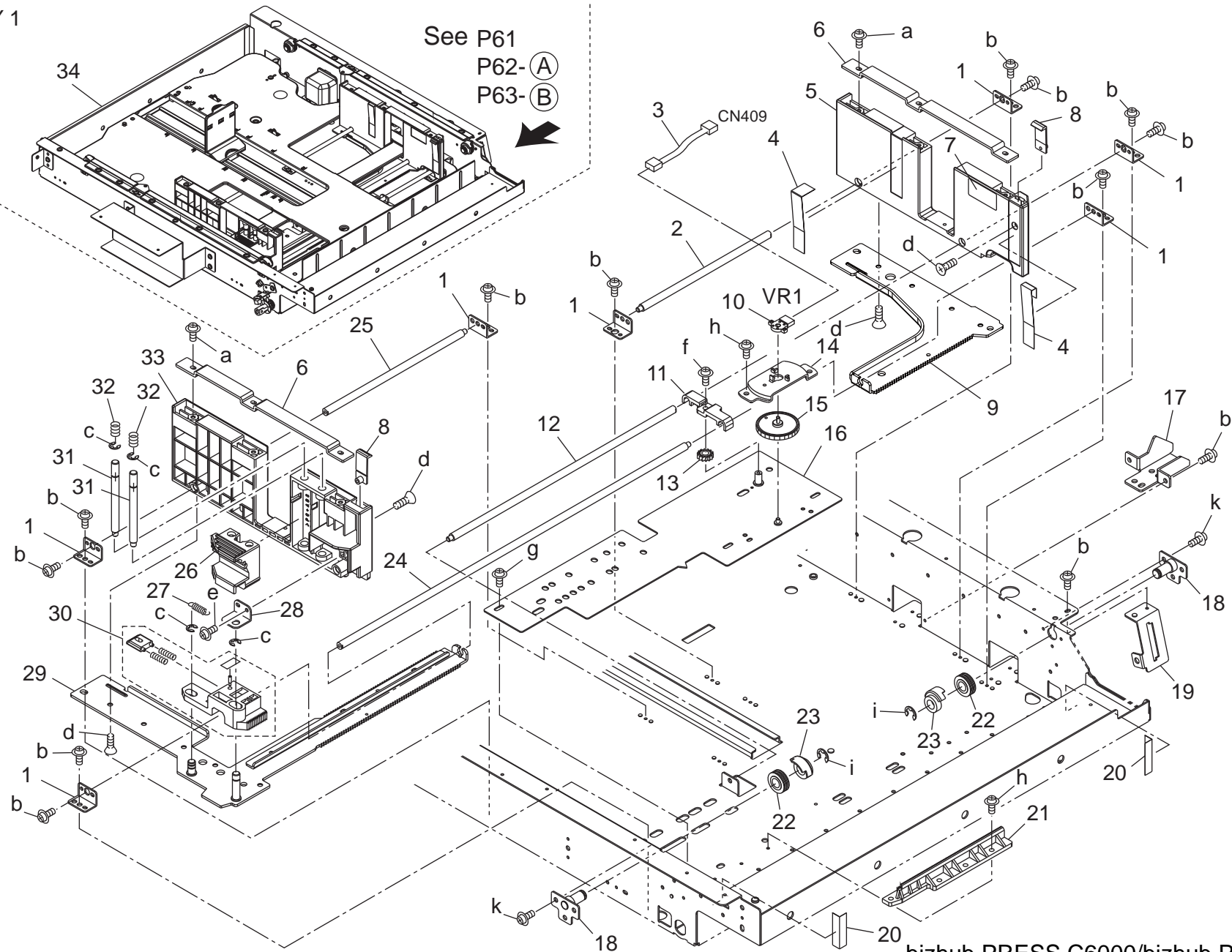
PAPER FEED SECTION : LOWER

Key	Part No.	Description	Destinations	Class	QTY	Standard parts
1	56AA40490	SHAFT STOPPER 4		C	4	a-V121030603 b-V217040050 c-V217060050 d-V118030603 e-V233201450
2	A1DUR71J00	Paper Feed Oscillate Roller		B	1	
3	A00J663200	Bushing		C	6	
4	25SA40960	DOUBLE FEED PREVENTION RUBBER		A	1	
5	25AA40100	Feeding Roller /B		B	1	
6	A03U560200	Swing Shaft		D	1	
7	56AA17760	COLLAR		C	2	
8	56AA17510	PIN B		C	2	
9	059076510	PULLEY 1 15T		C	2	
10	65AA40080E	Paper feed Auxiliary Plate		D	1	
11	65GE97400	GUIDE LABEL /1		C	1	
12	56AA40070	Paper feed Swing Plate		D	1	
13	56AA40300	PAPER QUANTITY ACTUATOR		C	1	
14	56AA77590	PAPER FEED ROCKING BELT 111L		C	1	
15	A03U560100	Feeding Shaft		D	1	
16	55VA42120	SHAFT STOPPER		C	1	
17	56AA82012	PAPER FEED DRIVING CLUTCH		B	1	
18	A03U812800	Slide Shaft Holder		B	2	
19	A03U560300	DRIVE SHAFT		D	1	
20	56AA40380	PAPER FEED REGULATING BLOCK		B	1	
21	A03U560500	Regulating Plate /Rear		C	1	
22	55FA40320	COUPLING		C	1	

# CASSETTE : UPPER

TRAY 1

P 61



bizhub PRESS C6000/bizhub PRO C6000L

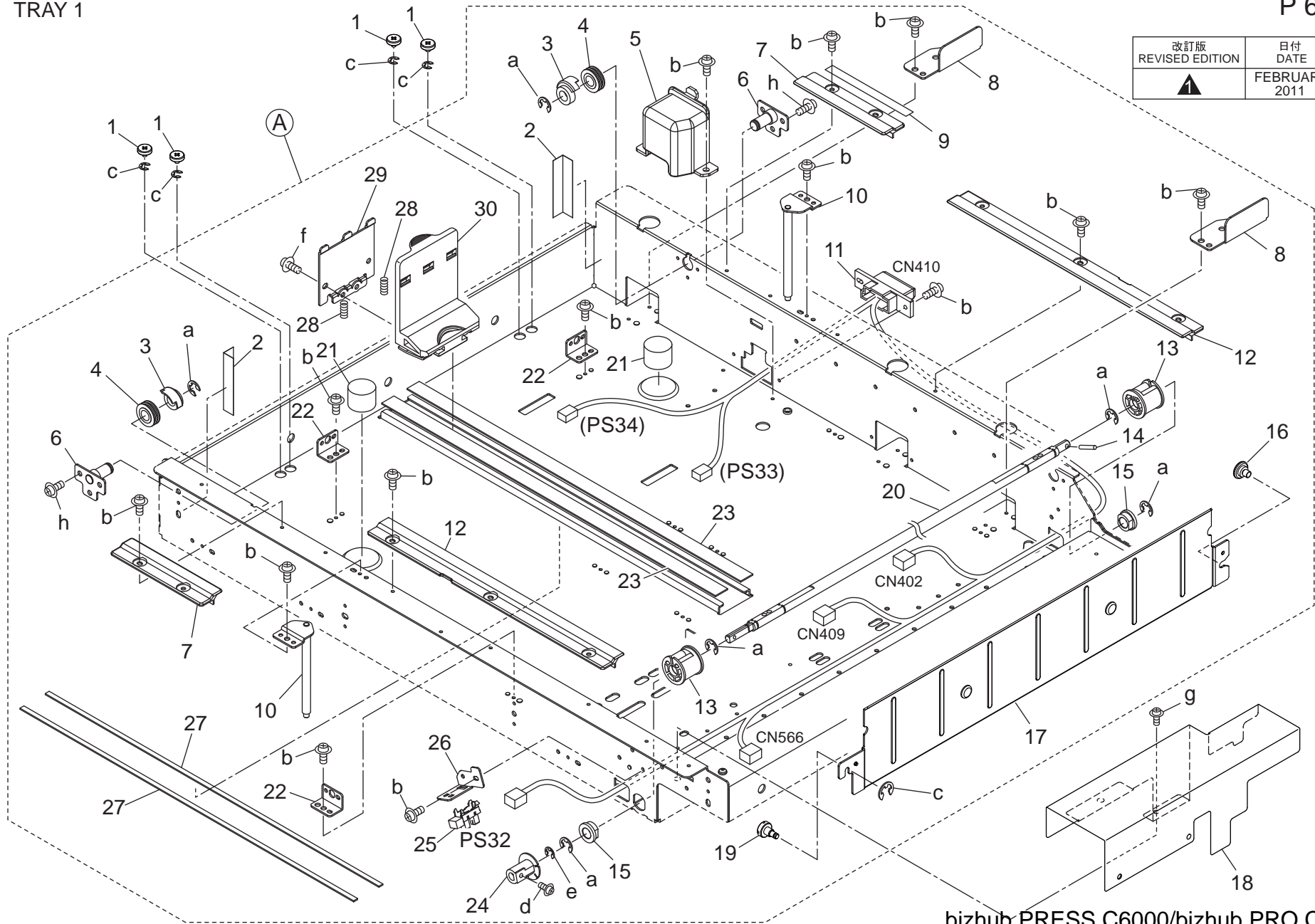
Key	Part No.	Description	Destinations	Class	QTY	Standard parts
1	65AA47740E	Shaft Mounting Plate		D	7	a-V158030816
2	65AA47210	Positioning Shaft /4		D	1	b-V116030803
3	65AA90580	SIZE RELAY WIRING		D	1	c-V217040050
4	65AA47420	PAPER REGULATING SHEET		C	2	d-V147030803
5	A03U621100	GUIDE PLATE /REAR		C	1	e-V158030803
6	65AA47490E	Side Supply Plate		D	2	f-V116030603
7	A03U945300	Regulating Label /1		C	1	g-V116030503
8	26NA47070	PAPER REGULATING CLAW		C	2	h-V121030603
9	65AA47060E	Guide Rack /Rear		D	1	i-V217060050
10	56AA85601	SIZE DETECTION VR		C	1	k-V127030516
11	65AA47270	SHAFT SUPPORT PLATE		D	1	
12	65AA47160	Positioning Shaft /1		D	1	
13	A03U620400	PINION 14T		D	1	
14	65AA42610	Mounting Plate		D	1	
15	65AA47600E	Detecting Gear 45T		C	1	
16	A03UF62100	Paper PS Plate Caulking		D	1	
17	65AA47340	FIXING CAM		D	1	
18	A1DUF62100	PULLEY FULCRUM PLATE CAULKING		D	2	
19	65AA47720D	Wiring Mounting Plate		D	1	
20	65AA47590	Protection Seal /1		D	2	
21	65AA47680	LOCKING PART		D	1	
22	65AA47550	WIRE ROLLER		C	2	
23	65AA47630	WIRE GUIDE PART		C	2	
24	65AA47170	Positioning Shaft /2		D	1	
25	65AA47180	Positioning Shaft /3		D	1	
26	65GE47090	SIDE LOCKING PLATE		D	1	
27	65AA47831	GUIDE SPRING 4		C	1	
28	65AA47470D	Fulcrum Plate		D	1	
29	65AA-4750	SIDE GUIDE RACK F CAULKING		D	1	
30	A1DUR71P00	Rock Part/2Assy		D	1	
31	65AA47190	PAPER POSITIONING PIN		D	2	
32	65AA47780	GUIDE SPRING 2		C	2	
33	A03U621000	GUIDE PLATE /FRONT		C	1	
34	A1DUR71N00	Cassette		S	1	

# CASSETTE : UPPER

TRAY 1

P 62

改訂版 REVISED EDITION	日付 DATE
	FEBRUARY 2011



bizhub PRESS C6000/bizhub PRO C6000L

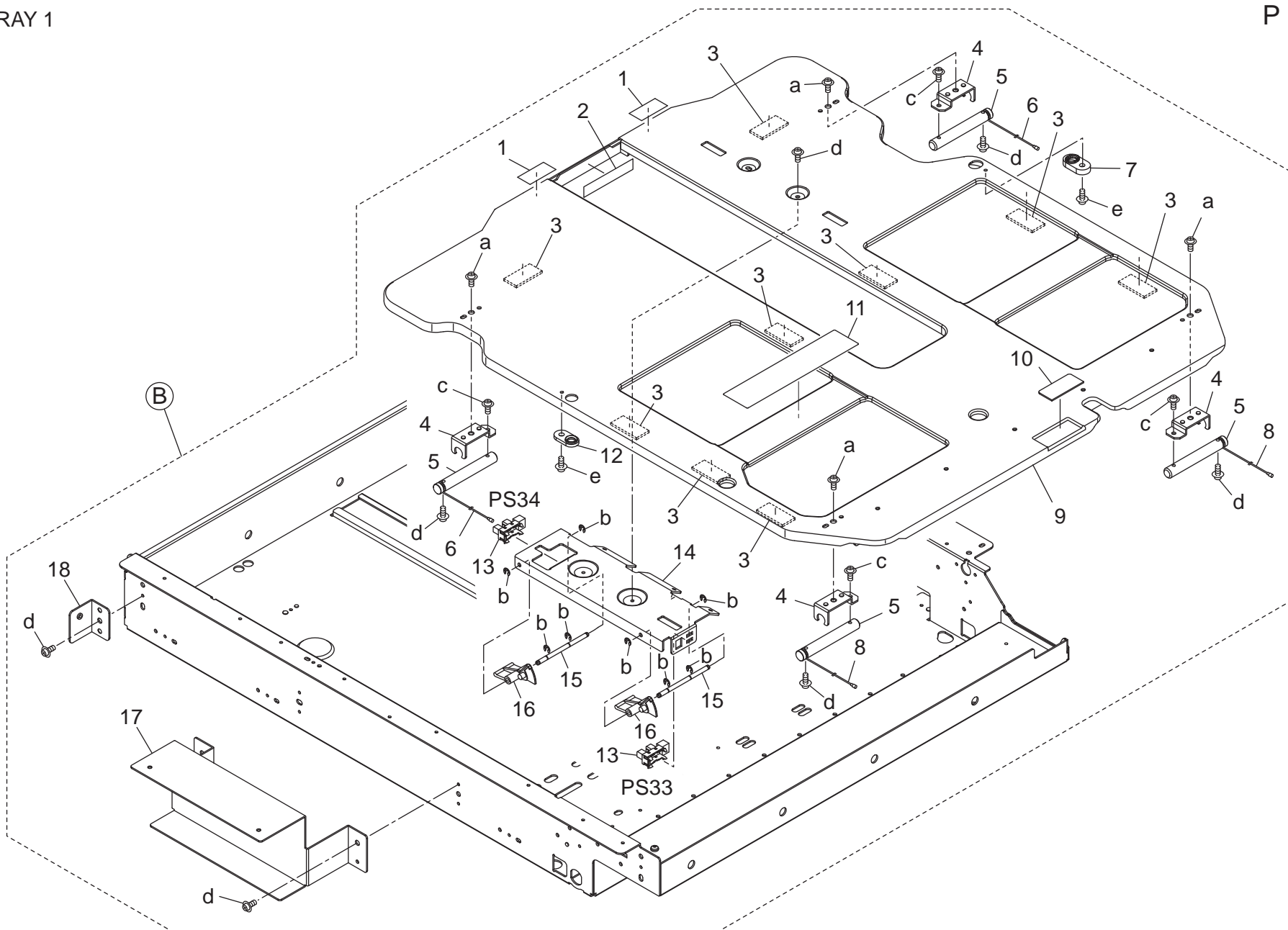
Key	Part No.	Description	Destinations	Class	QTY	Standard parts
1	A1DU629500	Regulating Screw		D	4	a-V217060050 b-V121030404 c-V217020050 d-V121030603 e-V217040050 f-V158030803 g-V121030604 h-V127030516
2	65AA47620	PROTECTION SEAL 2		C	2	
3	65AA47630	WIRE GUIDE PART		C	2	
4	65AA47550	WIRE ROLLER		C	2	
5	A03U621200	GUIDE COVER		C	1	
6	A1DUF62100	PULLEY FULCRUM PLATE CAULKING		D	2	
7	A03U621400	AUXILIARY COVER /S		C	2	
8	65AA47140	CASSETTE POSITIONING PLATE 1		D	2	
9	65GE97490	CASSETTE GUIDE LABEL		D	1	
10	A1DUR74600	Shaft Fulcrum Plate Caulking		D	2	
11	65AA90170E	CASSETTE SIGNAL WIRING		C	1	
12	A03U621300	AUXILIARY COVER /L		C	2	
13	55VA40600	Driving Up /Down Pulley		B	2	
14	65AA47700D	Up/down Pin		D	1	
15	A03U812800	Slide Shaft Holder		B	2	
16	55VA42220	POSITIONING SCREW		C	1	
17	65AA47070F	Paper Regulating Plate /Right		D	1	
18	A03U620702	Wiring Cover		D	1	
19	A03U621700	Holding Screw /Front		D	1	
20	65AA47111	Lifting Shaft		D	1	
21	65AA47820	REGULATING PART		C	2	
22	65AA47740E	Shaft Mounting Plate		D	3	
23	65AA47500	Slide Sheet		D	2	
24	65AA47130	PAPER DETECTING ACTUATOR		C	1	
25	08AA85512	Photo Sensor		B	1	
26	65AA47900E	Mounting Plate /2		D	1	
27	65AA47800	GUIDE SHEET		C	2	
28	65AA47790D	Guide Spring /3		D	2	
29	65AA47730E	Spring Support Part		D	1	
30	65GE47080	Paper Regulating Plate /Left		D	1	



# CASSETTE : UPPER

## TRAY 1

P 63



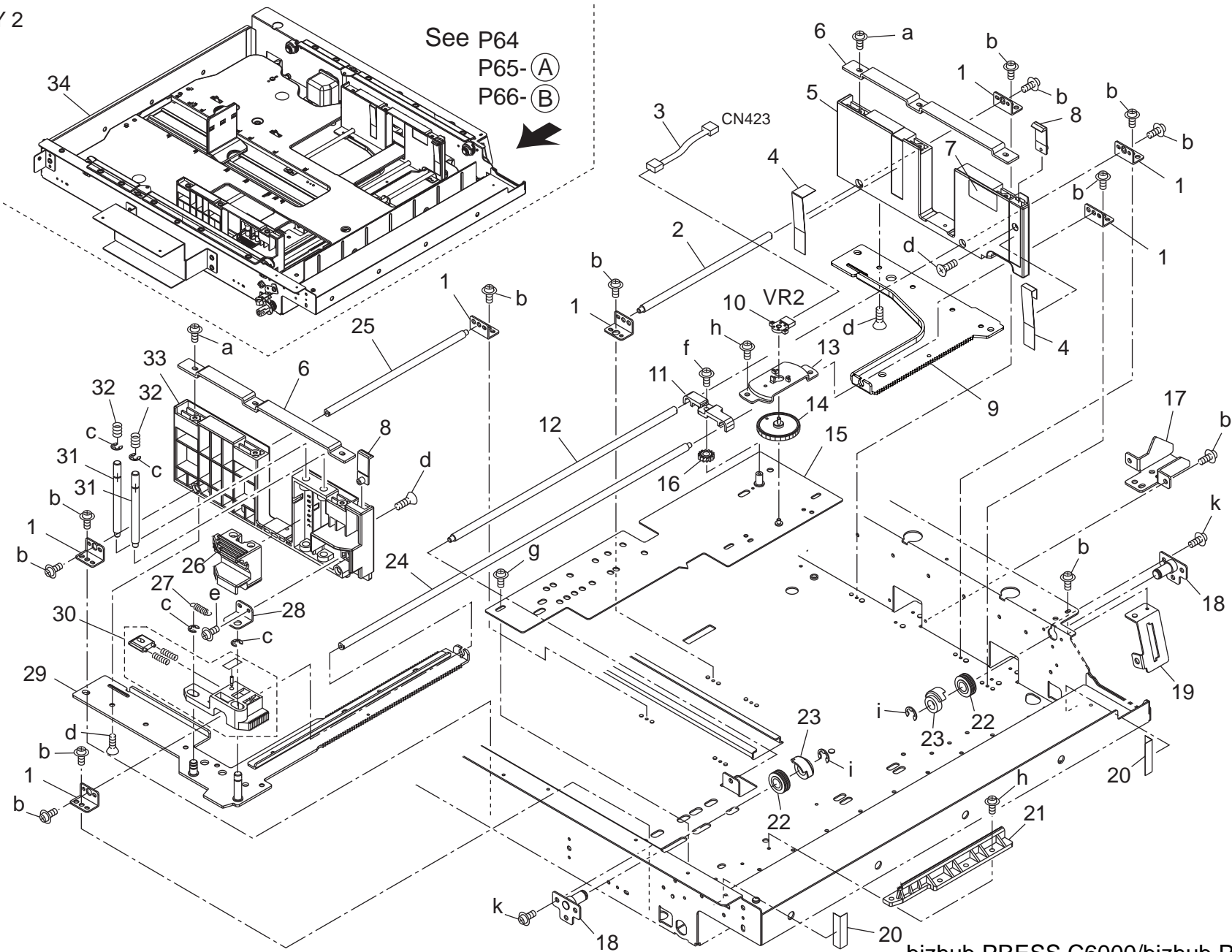
bizhub PRESS C6000/bizhub PRO C6000L

Key	Part No.	Description	Destinations	Class	QTY	Standard parts
1	65AA47450	PROTECTION SEAL /3		D	2	a-V121040603 b-V217020050 c-V121030603 d-V127030516 e-V121030403
2	65AA47480	Protection Sheet /Upper		C	1	
3	65AA47860	AUXILIARY SHEET		C	9	
4	65AA47650	WIRE FULCRUM PLATE		D	4	
5	65AA47660	WIRE FULCRUM SHAFT		D	4	
6	65AA47530	Up Down Wire /2		C	2	
7	65AA47580	GUIDE BUSHING /2		C	1	
8	65AA47520	Up Down Wire /1		C	2	
9	65AA47020D	Paper Lifting Plate		D	1	
10	55VA40930	DOUBLE FEED PREVENTIVE PLATE		C	1	
11	A1RF946000	Paper feed Label /1		D	1	
12	65AA47750	GUIDE BUSHING		C	1	
13	08AA85512	Photo Sensor		B	2	
14	65AA47120D	Mounting Plate		D	1	
15	65AA47310E	PAPER DETECTING SHAFT		D	2	
16	65AA47320	Paper Detecting Actuator		C	2	
17	65AA47410D	Auxiliary Plate /1		D	1	
18	65AA47771E	Side Mounting Plate		D	1	

# CASSETTE : MIDDLE

TRAY 2

P 64



bizhub PRESS C6000/bizhub PRO C6000L

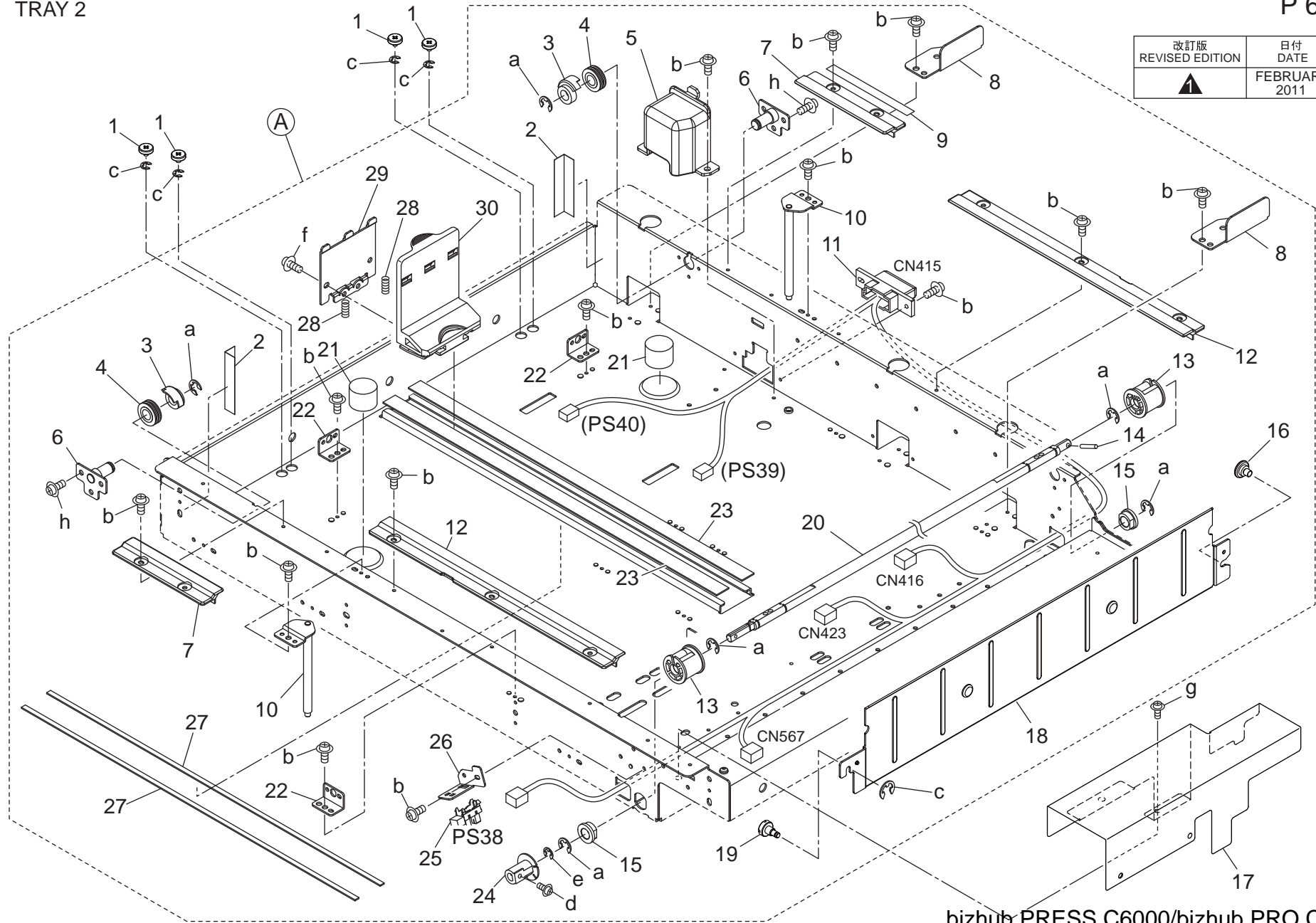
Key	Part No.	Description	Destinations	Class	QTY	Standard parts
1	65AA47740E	Shaft Mounting Plate		D	7	a-V158030816
2	65AA47210	Positioning Shaft /4		D	1	b-V116030803
3	65AA90580	SIZE RELAY WIRING		D	1	c-V217040050
4	65AA47420	PAPER REGULATING SHEET		C	2	d-V147030803
5	A03U621100	GUIDE PLATE /REAR		C	1	e-V158030803
6	65AA47490E	Side Supply Plate		D	2	f-V116030603
7	A03U945300	Regulating Label /1		C	1	g-V116030503
8	26NA47070	PAPER REGULATING CLAW		C	2	h-V121030603
9	65AA47060E	Guide Rack /Rear		D	1	i-V217060050
10	56AA85601	SIZE DETECTION VR		C	1	k-V127030516
11	65AA47270	SHAFT SUPPORT PLATE		D	1	
12	65AA47160	Positioning Shaft /1		D	1	
13	65AA42610	Mounting Plate		D	1	
14	65AA47600E	Detecting Gear 45T		C	1	
15	A03UF62100	Paper PS Plate Caulking		D	1	
16	A03U620400	PINION 14T		D	1	
17	65AA47340	FIXING CAM		D	1	
18	A1DUF62100	PULLEY FULCRUM PLATE CAULKING		D	2	
19	65AA47720D	Wiring Mounting Plate		D	1	
20	65AA47590	Protection Seal /1		D	2	
21	65AA47680	LOCKING PART		D	1	
22	65AA47550	WIRE ROLLER		C	2	
23	65AA47630	WIRE GUIDE PART		C	2	
24	65AA47170	Positioning Shaft /2		D	1	
25	65AA47180	Positioning Shaft /3		D	1	
26	65GE47090	SIDE LOCKING PLATE		D	1	
27	65AA47831	GUIDE SPRING 4		C	1	
28	65AA47470D	Fulcrum Plate		D	1	
29	65AA-4750	SIDE GUIDE RACK F CAULKING		D	1	
30	A1DUR71P00	Rock Part/2Assy		D	1	
31	65AA47190	PAPER POSITIONING PIN		D	2	
32	65AA47780	GUIDE SPRING 2		C	2	
33	A03U621000	GUIDE PLATE /FRONT		C	1	
34	A1DUR71N00	Cassette		S	1	

# CASSETTE : MIDDLE

TRAY 2

P 65

改訂版 REVISED EDITION	日付 DATE
	FEBRUARY 2011



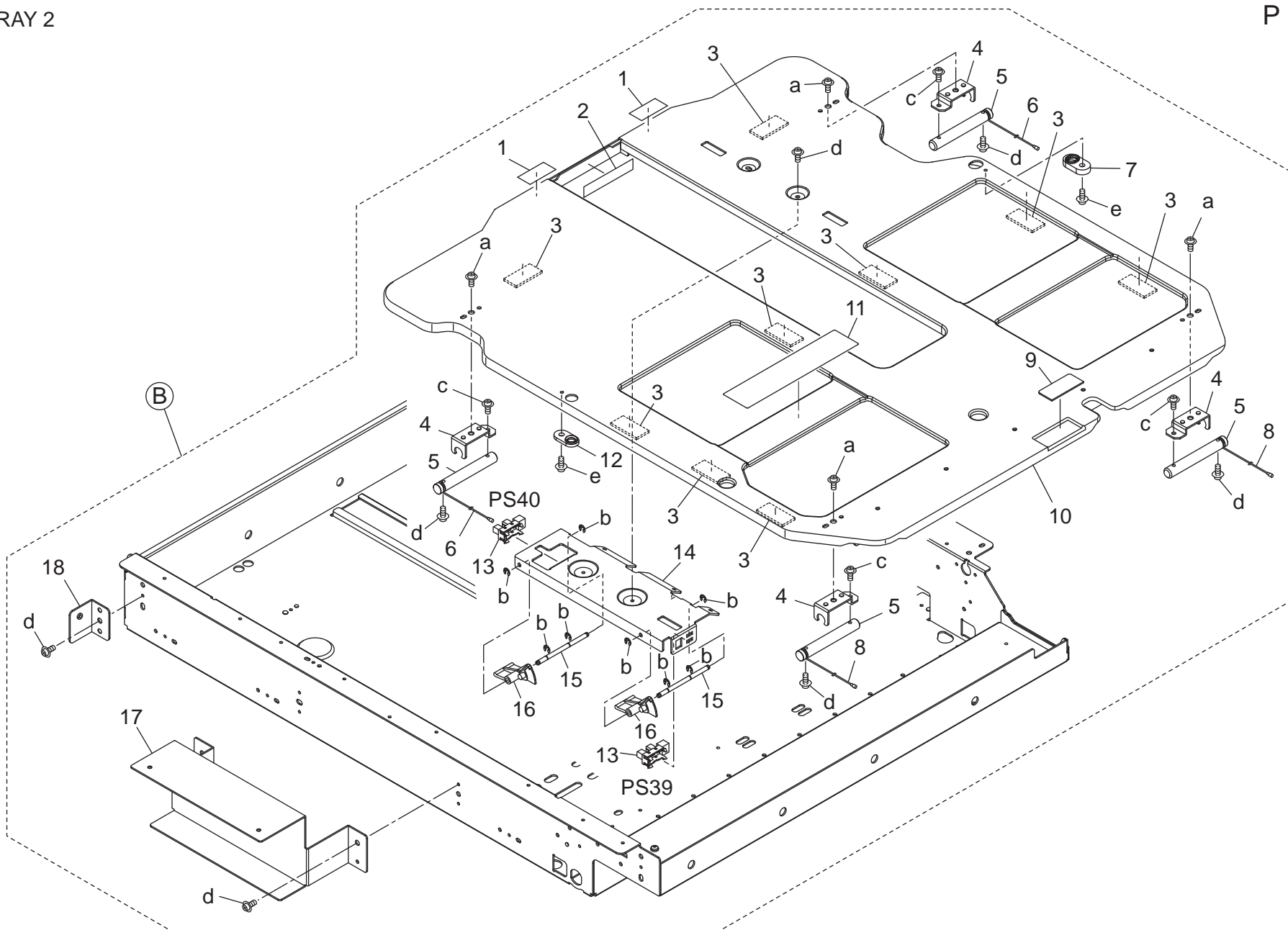
bizhub PRESS C6000/bizhub PRO C6000L

Key	Part No.	Description	Destinations	Class	QTY	Standard parts
1	A1DU629500	Regulating Screw		D	4	a-V217060050
2	65AA47620	PROTECTION SEAL 2		C	2	b-V121030404
3	65AA47630	WIRE GUIDE PART		C	2	c-V217020050
4	65AA47550	WIRE ROLLER		C	2	d-V121030603
5	A03U621200	GUIDE COVER		C	1	e-V217040050
6	A1DUF62100	PULLEY FULCRUM PLATE CAULKING		D	2	f-V158030803
7	A03U621400	AUXILIARY COVER /S		C	2	g-V121030604
8	65AA47140	CASSETTE POSITIONING PLATE 1		D	2	h-V127030516
9	65GE97490	CASSETTE GUIDE LABEL		D	1	
10	A1DUR74600	Shaft Fulcrum Plate Caulking		D	2	
11	65AA90170E	CASSETTE SIGNAL WIRING		C	1	
12	A03U621300	AUXILIARY COVER /L		C	2	
13	55VA40600	Driving Up /Down Pulley		B	2	
14	65AA47700D	Up/down Pin		D	1	
15	A03U812800	Slide Shaft Holder		B	2	
16	55VA42220	POSITIONING SCREW		C	1	
17	A03U620702	Wiring Cover		D	1	
18	65AA47070F	Paper Regulating Plate /Right		D	1	
19	A03U621700	Holding Screw /Front		D	1	
20	65AA47111	Lifting Shaft		D	1	
21	65AA47820	REGULATING PART		C	2	
22	65AA47740E	Shaft Mounting Plate		D	3	
23	65AA47500	Slide Sheet		D	2	
24	65AA47130	PAPER DETECTING ACTUATOR		C	1	
25	08AA85512	Photo Sensor		B	1	
26	65AA47900E	Mounting Plate /2		D	1	
27	65AA47800	GUIDE SHEET		C	2	
28	65AA47790D	Guide Spring /3		D	2	
29	65AA47730E	Spring Support Part		D	1	
30	65GE47080	Paper Regulating Plate /Left		D	1	

# CASSETTE : MIDDLE

TRAY 2

P 66



bizhub PRESS C6000/bizhub PRO C6000L

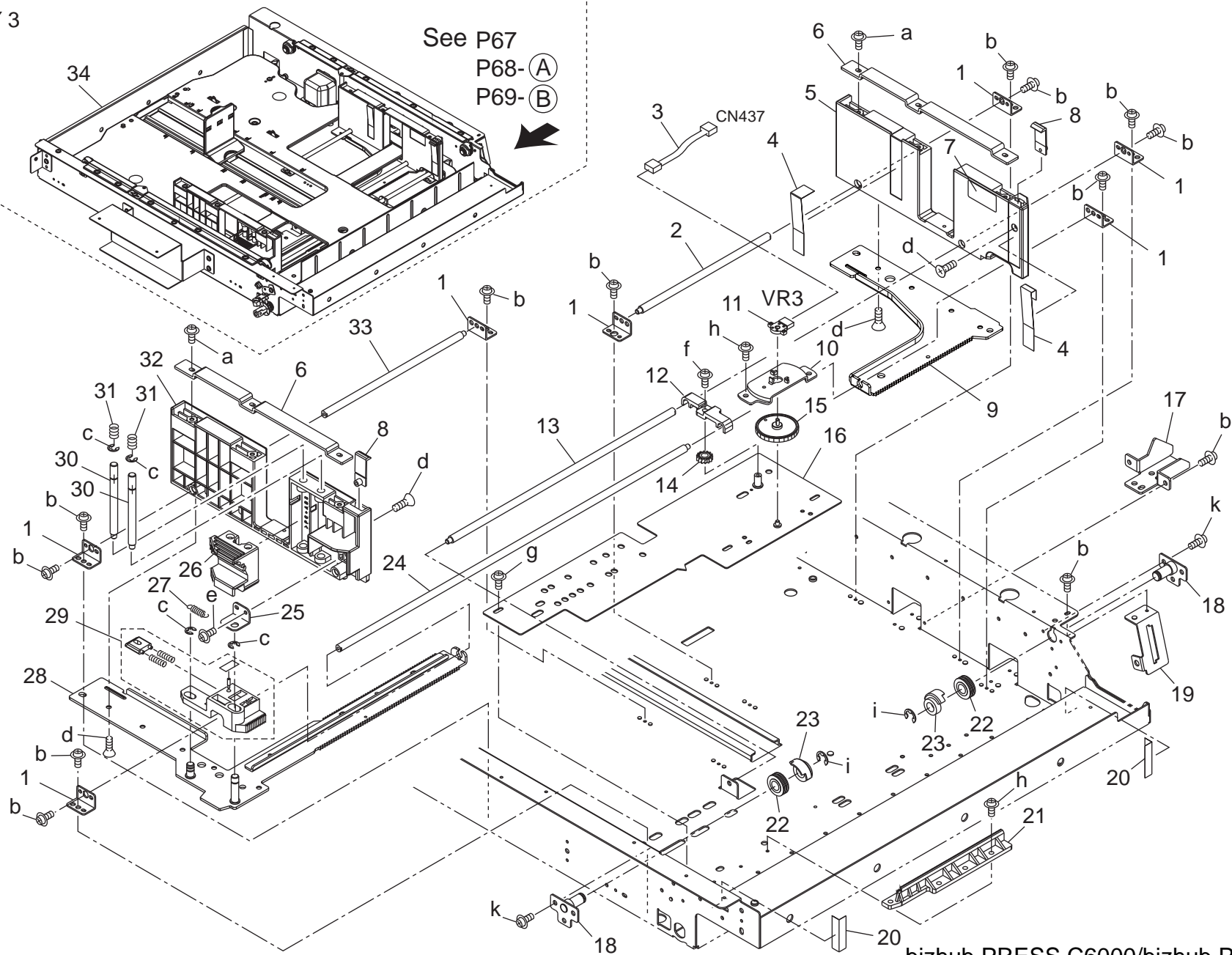
Key	Part No.	Description	Destinations	Class	QTY	Standard parts
1	65AA47450	PROTECTION SEAL /3		D	2	a-V121040603 b-V217020050 c-V121030603 d-V127030516 e-V121030403
2	65AA47480	Protection Sheet /Upper		C	1	
3	65AA47860	AUXILIARY SHEET		C	9	
4	65AA47650	WIRE FULCRUM PLATE		D	4	
5	65AA47660	WIRE FULCRUM SHAFT		D	4	
6	65AA47530	Up Down Wire /2		C	2	
7	65AA47580	GUIDE BUSHING /2		C	1	
8	65AA47520	Up Down Wire /1		C	2	
9	55VA40930	DOUBLE FEED PREVENTIVE PLATE		C	1	
10	65AA47020D	Paper Lifting Plate		D	1	
11	A1RF946000	Paper feed Label /1		D	1	
12	65AA47750	GUIDE BUSHING		C	1	
13	08AA85512	Photo Sensor		B	2	
14	65AA47120D	Mounting Plate		D	1	
15	65AA47310E	PAPER DETECTING SHAFT		D	2	
16	65AA47320	Paper Detecting Actuator		C	2	
17	65AA47410D	Auxiliary Plate /1		D	1	
18	65AA4771E	Side Mounting Plate		D	1	



# CASSETTE : LOWER

TRAY 3

P 67



See P67  
P68- (A)  
P69- (B)

bizhub PRESS C6000/bizhub PRO C6000L

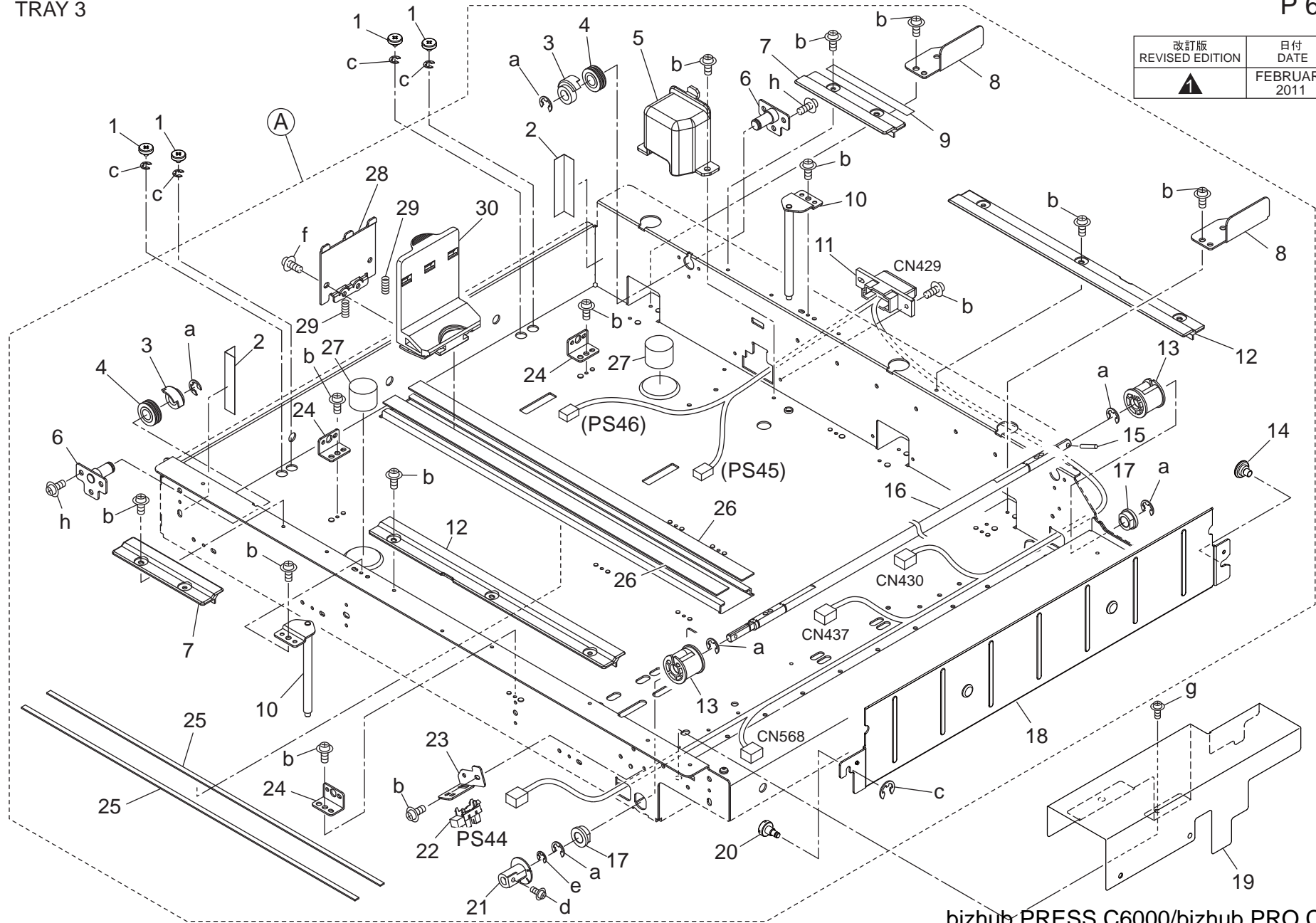
Key	Part No.	Description	Destinations	Class	QTY	Standard parts
1	65AA47740E	Shaft Mounting Plate		D	7	a-V158030816
2	65AA47210	Positioning Shaft /4		D	1	b-V116030803
3	65AA90580	SIZE RELAY WIRING		D	1	c-V217040050
4	65AA47420	PAPER REGULATING SHEET		C	2	d-V147030803
5	A03U621100	GUIDE PLATE /REAR		C	1	e-V158030803
6	65AA47490E	Side Supply Plate		D	2	f-V116030603
7	A03U945300	Regulating Label /1		C	1	g-V116030503
8	26NA47070	PAPER REGULATING CLAW		C	2	h-V121030603
9	65AA47060E	Guide Rack /Rear		D	1	i-V217060050
10	65AA42610	Mounting Plate		D	1	k-V127030516
11	56AA85601	SIZE DETECTION VR		C	1	
12	65AA47270	SHAFT SUPPORT PLATE		D	1	
13	65AA47160	Positioning Shaft /1		D	1	
14	A03U620400	PINION 14T		D	1	
15	65AA47600E	Detecting Gear 45T		C	1	
16	A03UF62100	Paper PS Plate Caulking		D	1	
17	65AA47340	FIXING CAM		D	1	
18	A1DUF62100	PULLEY FULCRUM PLATE CAULKING		D	2	
19	65AA47720D	Wiring Mounting Plate		D	1	
20	65AA47590	Protection Seal /1		D	2	
21	65AA47680	LOCKING PART		D	1	
22	65AA47550	WIRE ROLLER		C	2	
23	65AA47630	WIRE GUIDE PART		C	2	
24	65AA47170	Positioning Shaft /2		D	1	
25	65AA47470D	Fulcrum Plate		D	1	
26	65GE47090	SIDE LOCKING PLATE		D	1	
27	65AA47831	GUIDE SPRING 4		C	1	
28	65AA-4750	SIDE GUIDE RACK F CAULKING		D	1	
29	A1DUR71P00	Rock Part/2Assy		D	1	
30	65AA47190	PAPER POSITIONING PIN		D	2	
31	65AA47780	GUIDE SPRING 2		C	2	
32	A03U621000	GUIDE PLATE /FRONT		C	1	
33	65AA47180	Positioning Shaft /3		D	1	
34	A1DUR71N00	Cassette		S	1	

# CASSETTE : LOWER

TRAY 3

P 68

改訂版 REVISED EDITION	日付 DATE
	FEBRUARY 2011



bizhub PRESS C6000/bizhub PRO C6000L

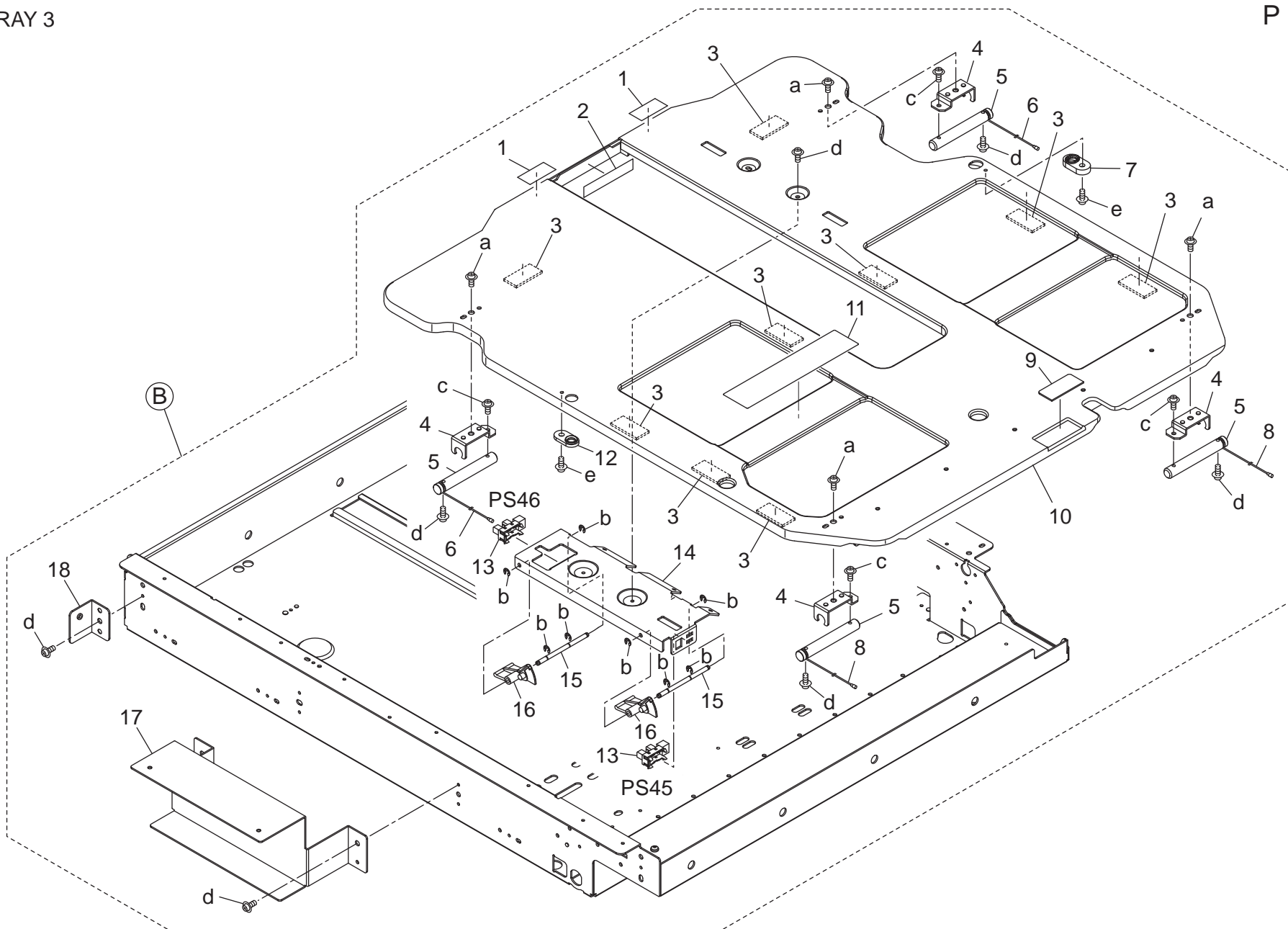
CASSETTE : LOWER

Key	Part No.	Description	Destinations	Class	QTY	Standard parts
1	A1DU629500	Regulating Screw		D	4	a-V217060050
2	65AA47620	PROTECTION SEAL 2		C	2	b-V121030404
3	65AA47630	WIRE GUIDE PART		C	2	c-V217020050
4	65AA47550	WIRE ROLLER		C	2	d-V121030603
5	A03U621200	GUIDE COVER		C	1	e-V217040050
6	A1DUF62100	PULLEY FULCRUM PLATE CAULKING		D	2	f-V158030803
7	A03U621400	AUXILIARY COVER /S		C	2	g-V121030604
8	65AA47140	CASSETTE POSITIONING PLATE 1		D	2	h-V127030516
9	65GE97490	CASSETTE GUIDE LABEL		D	1	
10	A1DUR74600	Shaft Fulcrum Plate Caulking		D	2	
11	65AA90170E	CASSETTE SIGNAL WIRING		C	1	
12	A03U621300	AUXILIARY COVER /L		C	2	
13	55VA40600	Driving Up /Down Pulley		B	2	
14	55VA42220	POSITIONING SCREW		C	1	
15	65AA47700D	Up/down Pin		D	1	
16	65AA47111	Lifting Shaft		D	1	
17	A03U812800	Slide Shaft Holder		B	2	
18	65AA47070F	Paper Regulating Plate /Right		D	1	
19	A03U620702	Wiring Cover		D	1	
20	A03U621700	Holding Screw /Front		D	1	
21	65AA47130	PAPER DETECTING ACTUATOR		C	1	
22	08AA85512	Photo Sensor		B	1	
23	65AA47900E	Mounting Plate /2		D	1	
24	65AA47740E	Shaft Mounting Plate		D	3	
25	65AA47800	GUIDE SHEET		C	2	
26	65AA47500	Slide Sheet		D	2	
27	65AA47820	REGULATING PART		C	2	
28	65AA47730E	Spring Support Part		D	1	
29	65AA47790D	Guide Spring /3		D	2	
30	65GE47080	Paper Regulating Plate /Left		D	1	

# CASSETTE : LOWER

TRAY 3

P 69



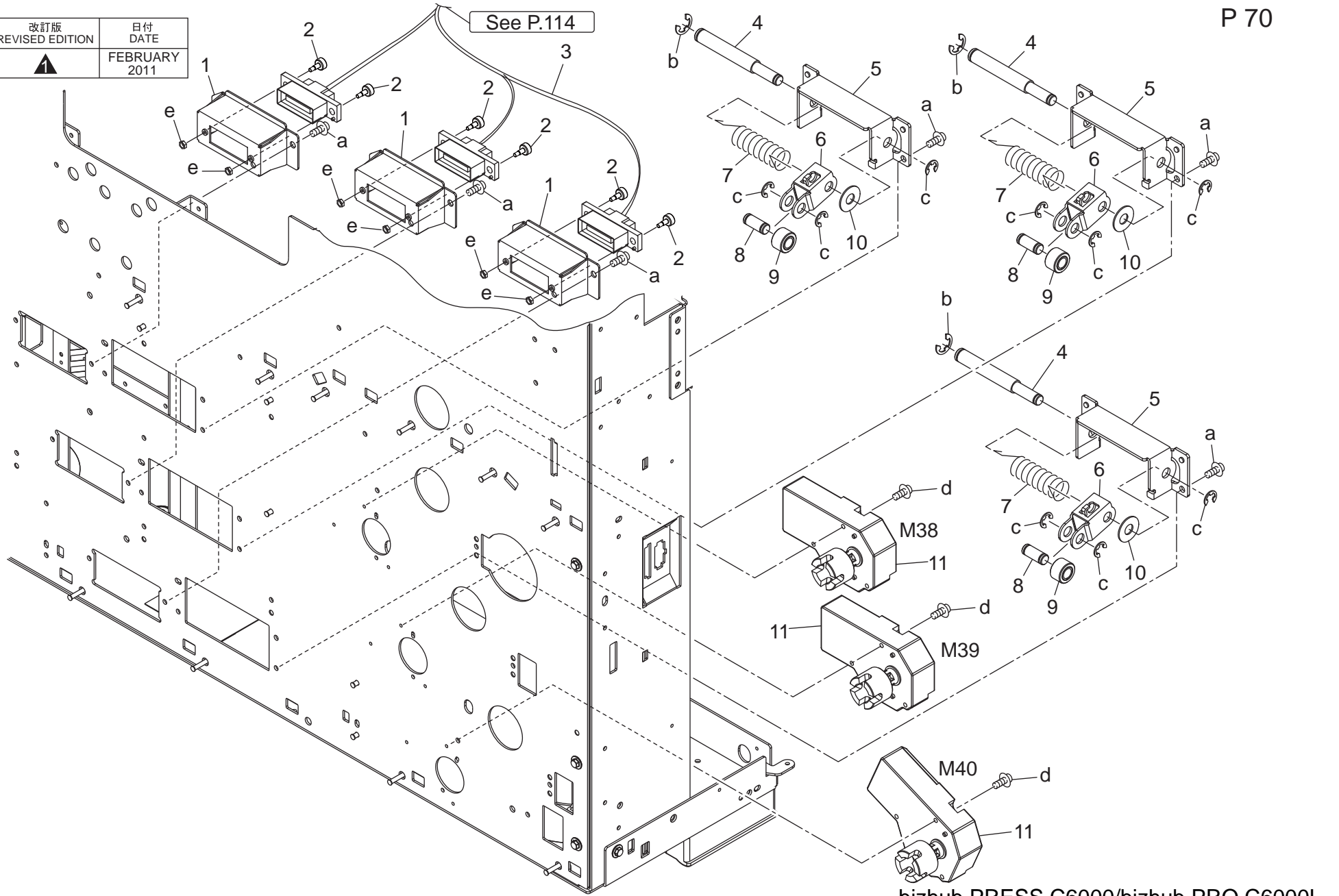
bizhub PRESS C6000/bizhub PRO C6000L

Key	Part No.	Description	Destinations	Class	QTY	Standard parts
1	65AA47450	PROTECTION SEAL /3		D	2	a-V121040603 b-V217020050 c-V121030603 d-V127030516 e-V121030403
2	65AA47480	Protection Sheet /Upper		C	1	
3	65AA47860	AUXILIARY SHEET		C	9	
4	65AA47650	WIRE FULCRUM PLATE		D	4	
5	65AA47660	WIRE FULCRUM SHAFT		D	4	
6	65AA47530	Up Down Wire /2		C	2	
7	65AA47580	GUIDE BUSHING /2		C	1	
8	65AA47520	Up Down Wire /1		C	2	
9	55VA40930	DOUBLE FEED PREVENTIVE PLATE		C	1	
10	65AA47020D	Paper Lifting Plate		D	1	
11	A1RF946000	Paper feed Label /1		D	1	
12	65AA47750	GUIDE BUSHING		C	1	
13	08AA85512	Photo Sensor		B	2	
14	65AA47120D	Mounting Plate		D	1	
15	65AA47310E	PAPER DETECTING SHAFT		D	2	
16	65AA47320	Paper Detecting Actuator		C	2	
17	65AA47410D	Auxiliary Plate /1		D	1	
18	65AA4771E	Side Mounting Plate		D	1	

# CASSETTE DRIVING SECTION

改訂版 REVISED EDITION	日付 DATE
	FEBRUARY 2011

See P.114



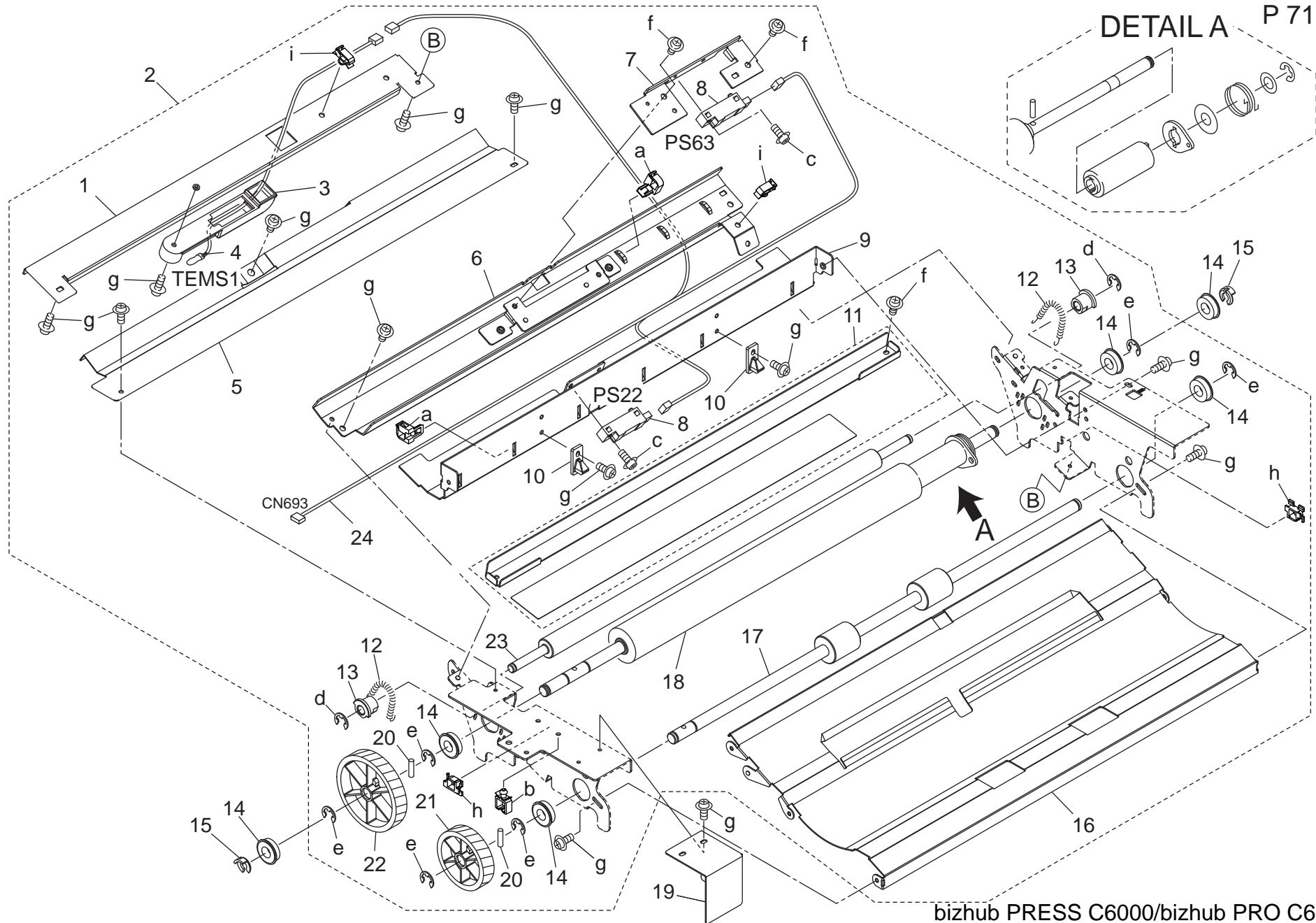
bizhub PRESS C6000/bizhub PRO C6000L

# CASSETTE DRIVING SECTION

Key	Part No.	Description	Destinations	Class	QTY	Standard parts
1	65AA47290	WIRING MOUNTING PLATE		D	3	a-V140040803 b-V217080050 c-V217060050 d-V121032003 e-V195260003
2	A1DU622200	Mounting Screw		D	6	
3	A1DUN19401	Main body Wiring /1		D	1	
4	65AA47380	FULCRUM SHAFT		D	3	
5	65AA47370	FULCRUM PLATE		D	3	
6	65AA47710	LOCKING PLATE		D	3	
7	65AA47390	GUIDE SPRING		C	3	
8	65AA47360	CASSETTE LOCKING SHAFT		D	3	
9	067642581	TRAY LOCK PULLEY		C	3	
10	65AA47970	SPACER		C	3	
11	A0P0M10000	Brush Motor		B	3	



# DUPLEX SECTION : REGISTRATION



bizhub PRESS C6000/bizhub PRO C6000L

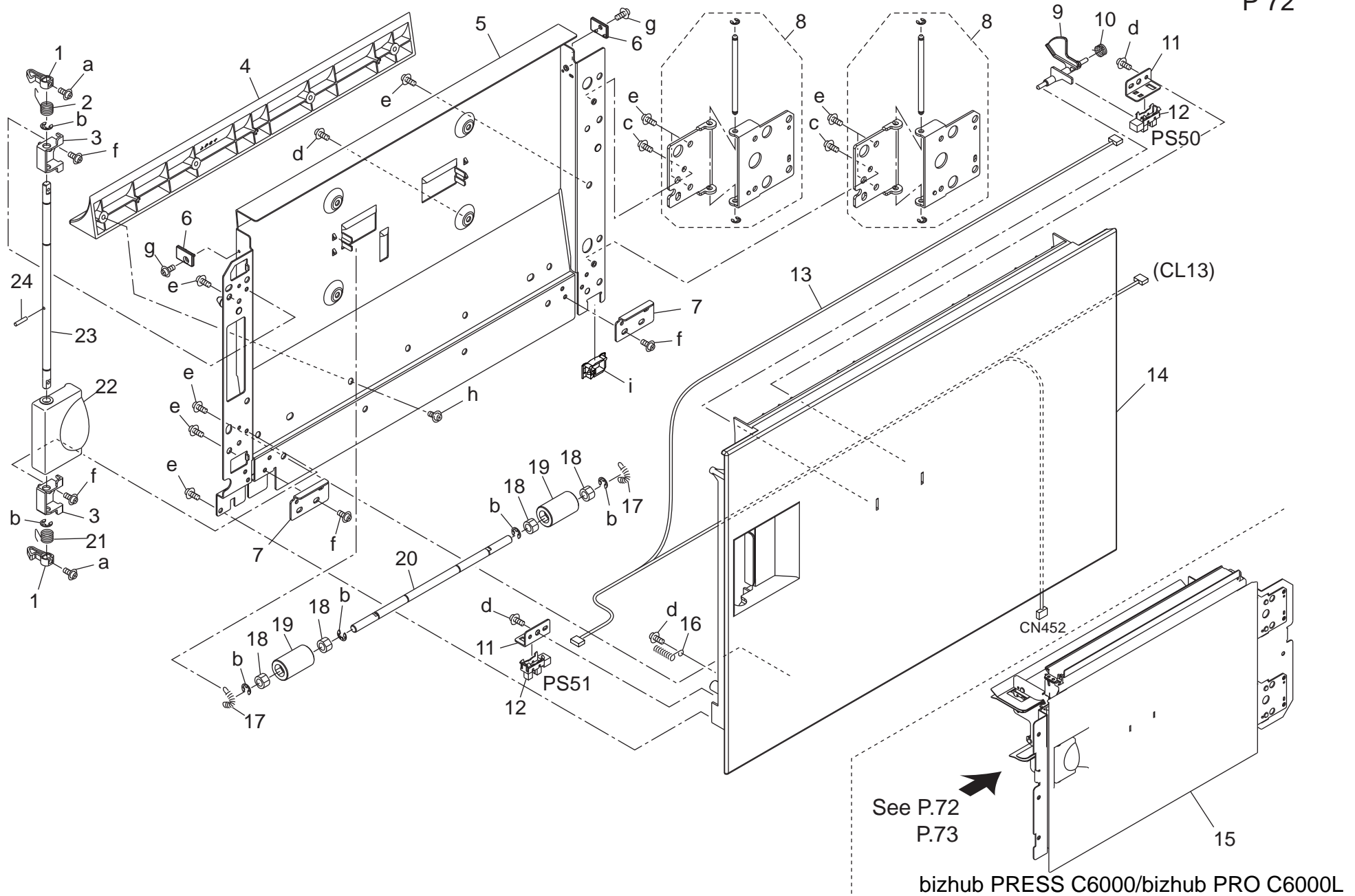
# DUPLEX SECTION : REGISTRATION

Key	Part No.	Description	Destinations	Class	QTY	Standard parts
1	A03U712000	Mounting Stay /Lower		D	1	a-V500010057 b-V500010051 c-V118031003 d-V217040050 e-V217060050 f-V121030403 g-V127030603 h-V570010050 i-V500010046
2	A1DUR71S00	Regist Unit	取付ステー／下	C	1	
3	A03X622000	Detecting Cover	レジスト	C	1	
4	A03UM50500	Temperature Sensor /5	検出カバー	C	1	
5	A03U711902	Cover Plate	温度 センサ／5	C	1	
6	A03U711700	Guide Plate /2	カバー板	D	1	
7	A03U711600	Mounting Plate /Middle	ガイド板／2	C	1	
8	56AA85521	Conveyance Photo Sensor	取付板／中	D	1	
9	A03U710700	Guide Plate /Upper	搬送フォトセンサ	B	2	
10	65AA46120	LOCKING PART	ガイド板／上	C	1	
11	A1DUR73B00	Cleaning Stay Assy	ロック部材	C	2	
12	65AA46080	REGISTRATION PRESSURE SPRING	清掃ステー部組	B	1	
13	A03U712100	Registration Bushing	レジスト 圧着バネ	C	2	
14	A00V240600	BALL BEARING	レジスト 軸受	C	2	
15	55VA42120	SHAFT STOPPER	ボールベアリング	B	6	
16	A03U710600	Regist Guide Plate /Lower	軸ストップパー	C	2	
17	65AA46030	Conveyance Roller	レジストガイド板／下	C	1	
18	A1DUR73A00	Registration Roller Assy	搬送ローラ	C	1	
19	65AA46130D	Gear Cover Part	レジストローラ部組	A	1	
20	56AA17480	PIN B	ギアカバー部材	D	1	
21	65AA77510	CONVEYANCE GEAR 40T	ピン B	C	2	
22	65AA77870	REGISTRATION GEAR 52T	搬送歯車 40 T	C	1	
23	65AA46020	REGISTRATION DRIVEN ROLLER	レジスト歯車 52 T	C	1	
24	A03UN15401	Registration Relay Wiring	レジスト 従動ローラ	C	1	
			レジスト 中継束線	D	1	

bizhub PRESS C6000/bizhub PRO C6000L

# DUPLEX SECTION : VERTICAL CONVEYANCE

P 72

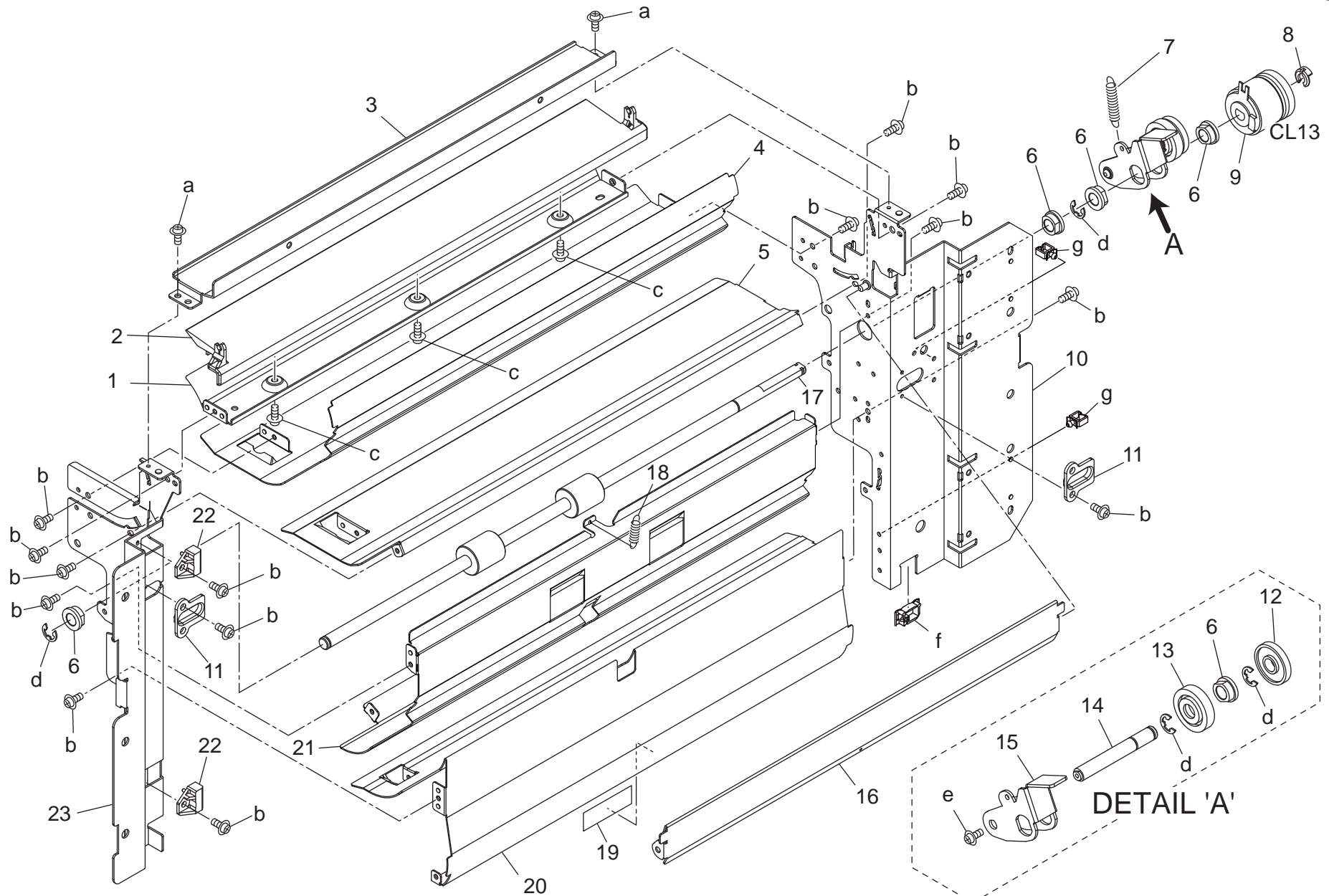


DUPLEX SECTION : VERTICAL CONVEYANCE

Key	Part No.	Description	Destinations	Class	QTY	Standard parts
1	56AA44200	LOCKING CLAW		C	2	a-V118030603
2	65AA44230	Locking Spring /Upper		C	1	b-V217040050
3	56AA44150	SHAFT FIXING PART		C	2	c-V121030603
4	65AA44410	PAPER ENTRANCE PLATE		C	1	d-V158030803
5	65AA-4340	CON GUIDE PLATE CAULKING		D	1	e-V151041003
6	65AA44460	REGULATING PLATE		C	2	f-V121030403
7	65AA44390	FIXING PLATE		D	2	g-V112030603
8	A1DUR71R00	Open/Shut Hinge Assy		C	2	h-V151040803
9	65AA44100	Paper Detecting Actuator /1		C	1	i-V570010063
10	65AA44270	CONVEYANCE SPRING		C	1	
11	65AA44470	MOUNTING PLATE		D	2	
12	08AA85512	Photo Sensor		B	2	
13	65AA90150E	P. F. UNIT DETECTION WIRING		D	1	
14	A03U700100	Conveyance Guide Door		C	1	
15	A1DUR71Q00	Vertial Conveying		D	1	
16	65AA44380	POSITIONING SPRING		C	1	
17	65AA44250	DRIVEN SPRING		C	2	
18	A03U850101	Slide Bushing		C	4	
19	26NA42560	BY PASS FEED DRIVEN ROLLER		C	2	
20	65AA44150	CONVEYANCE DRIVEN SHAFT		D	1	
21	65AA44240	Locking Spring /Lower		C	1	
22	A03U700202	Conveyance Handle		C	1	
23	65AA44170E	LOCKING SHAFT		D	1	
24	56AA17300	PIN		C	1	

# DUPLEX SECTION : VERTICAL CONVEYANCE

P 73



bizhub PRESS C6000/bizhub PRO C6000L

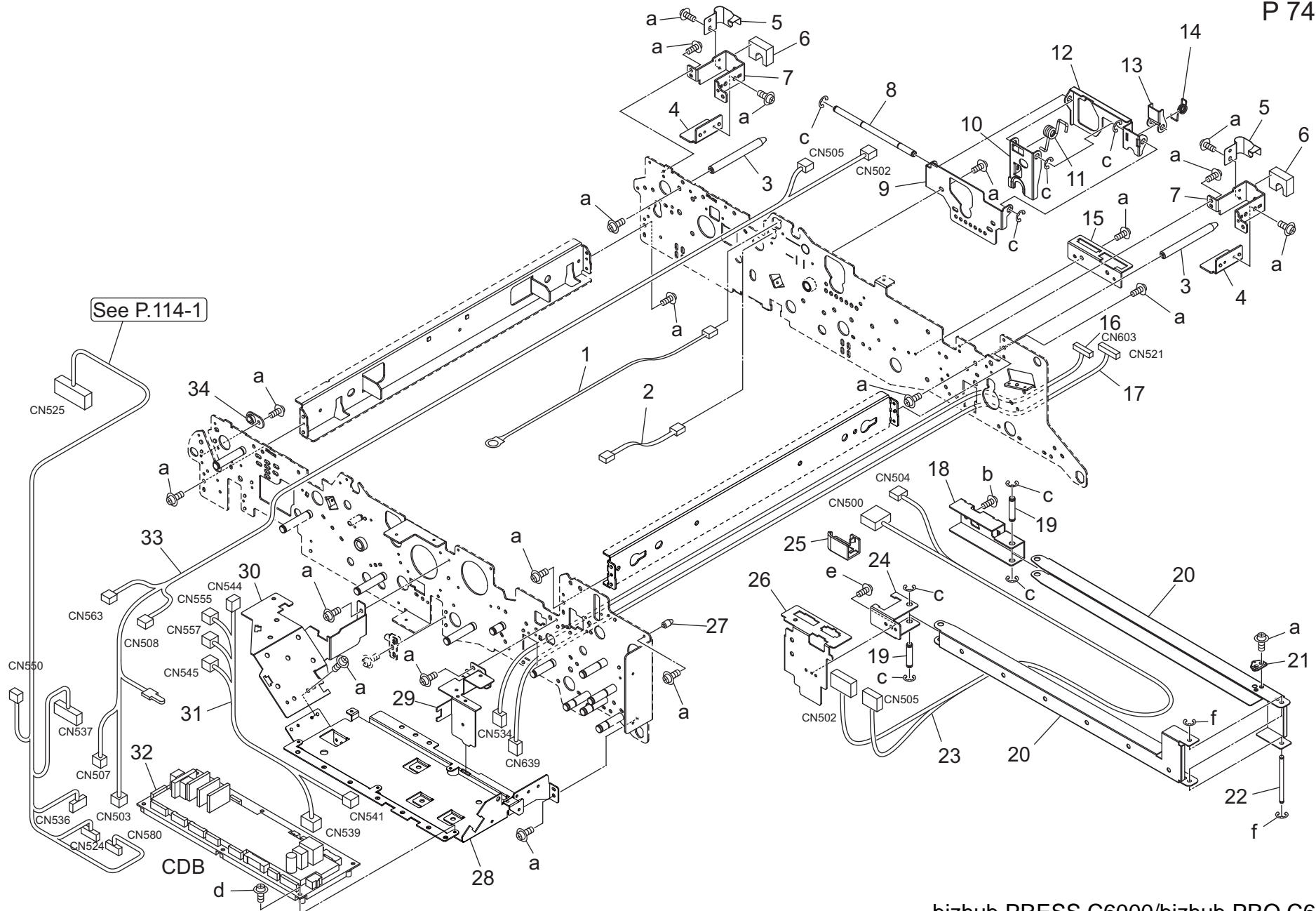
DUPLEX SECTION : VERTICAL CONVEYANCE

Key	Part No.	Description	Destinations	Class	QTY	Standard parts
1	65AA44290	PAPER GUIDE PLATE C		C	1	a-V121030403 b-V121030603 c-V158030803 d-V217060050 e-V121040603 f-V570010063 g-V500010051
2	65AA44300	PAPER GUIDE PLATE T		C	1	
3	65AA44280	PAPER GUIDE PLATE L		C	1	
4	65AA44030	PAPER GUIDE PLATE 1		C	1	
5	65AA44050	PAPER GUIDE PLATE 3		C	1	
6	A03U812800	Slide Shaft Holder		B	5	
7	65AA44330	CONNECTING SPRING		C	1	
8	55VA42120	SHAFT STOPPER		C	1	
9	56AA82012	PAPER FEED DRIVING CLUTCH		B	1	
10	65AA-4400	SIDE PLATE/2 CAULKING		D	1	
11	65AA44220	Positioning Coller		C	2	
12	65AA44350	STOPPER ROLLER		C	1	
13	25AA77730	CONVEYANCE IDLER RIGHT 24T		C	1	
14	65AA44320	CONNECTING SHAFT		D	1	
15	65AA44340	CONNECTING PLATE		D	1	
16	65AA44420	OPEN SHUT PLATE		C	1	
17	65AA44130	Conveying Roller /1		C	1	
18	65AA44440	OPEN SHUT SPRING		C	1	
19	A03U700400	PAPER GUIDE SHEET		C	1	
20	65AA44060	PAPER GUIDE PLATE 4		C	1	
21	65AA44430	PAPER GUIDE PLATE MIDDLE		C	1	
22	65AA44200	LOCKING PLATE		C	2	
23	65AA-4390	SIDE PLATE/1 CAULKING		D	1	

bizhub PRESS C6000/bizhub PRO C6000L

# DUPLEX SECTION

P 74



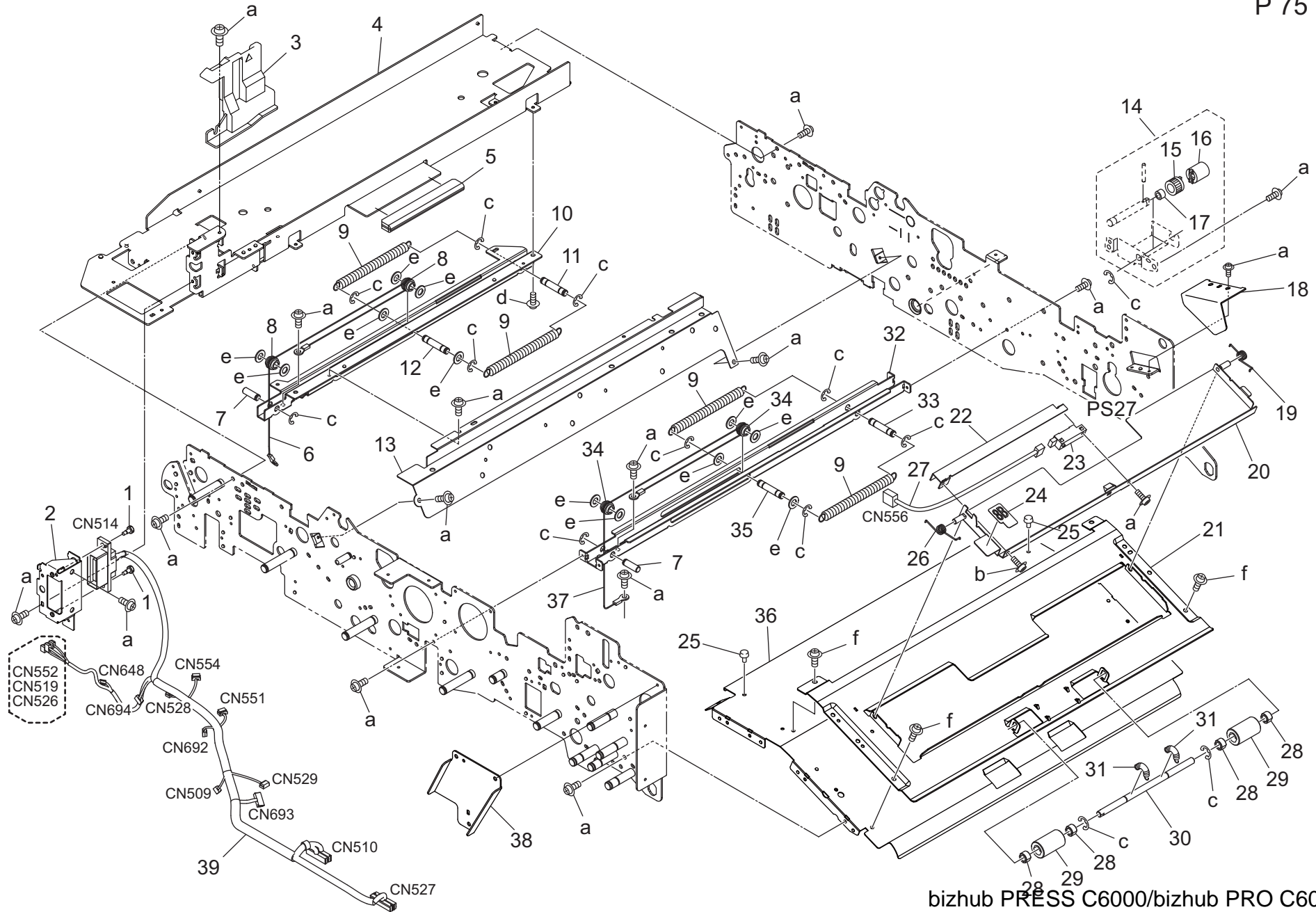
bizhub PRESS C6000/bizhub PRO C6000L

Key	Part No.	Description	Destinations	Class	QTY	Standard parts
1	A03UN20300	Bias Wire /2		D	1	a-V127030603
2	A1DUN18900	Separating Wire /1		D	1	b-V127040603
3	65AA50250	CARRIGE GUIDE PIN REAR		D	2	c-V217040050
4	A03U811500	Guide Holder /1		D	2	d-V121030403
5	A03U813702	Ground Plate		D	2	e-V127030516
6	A03U811401	Protection Cushion		D	2	f-V217030050
7	A03U811300	GUIDE HOLDER /REAR		D	2	
8	65AA50590	TRANSFER RELEASE SHAFT 2		D	1	
9	65AA50600	CAM MOUNTING PLATE		D	1	
10	65AA50570	TRANSFER RELEASE CAM 1		C	1	
11	65AA50610	CAM STOPPER SPRING 1		C	1	
12	65AA50620	CAM CONNECTING PLATE		C	1	
13	65AA50580	TRANSFER RELEASE CAM 2		C	1	
14	65AA50630	CAM STOPPER SPRING 2		C	1	
15	A03U812900	Wiring Fixing Plate		D	1	
16	A03UN17801	ADU DRIVE HARNESS /1		D	1	
17	A1DUN22000	ADU Relay harness /6		D	1	
18	65AA50190	FULCRUM PLATE REAR		D	1	
19	65AA50180	HINGE FULCRUM SHAFT 1		D	2	
20	56AA50311E	Wiring Guide Plate /Front		D	2	
21	56AA50381	HINGE LIFTING BLOCK		C	1	
22	A1DU817600	Support Shaft		D	1	
23	A03UN14700	Conv. unit Relay Wiring /1		D	1	
24	A03U811200	Carriage Support Plate /2		D	1	
25	65AA50740	Wiring Cover /1		C	1	
26	A03U811101	Carrige Fulcrum Plate /Front		D	1	
27	65AA50440D	Carrige Guide Pin /Left		C	1	
28	A03U810503	Board Mounting Plate		D	1	
29	A03U813001	Wiring Guide Plate		D	1	
30	A03U810601	Board Mounting Plate /2		D	1	
31	A03UN15100	Conveyance Drive Wiring		D	1	
32	A1DUH25000	Conveyance Drive Board Assy		I	1	
33	A1DUN14801	Conveyance Relay harness /2		D	1	
34	129X48360	GUIDE SHAFT HOLDER B		C	1	



# DUPLEX SECTION

P 75

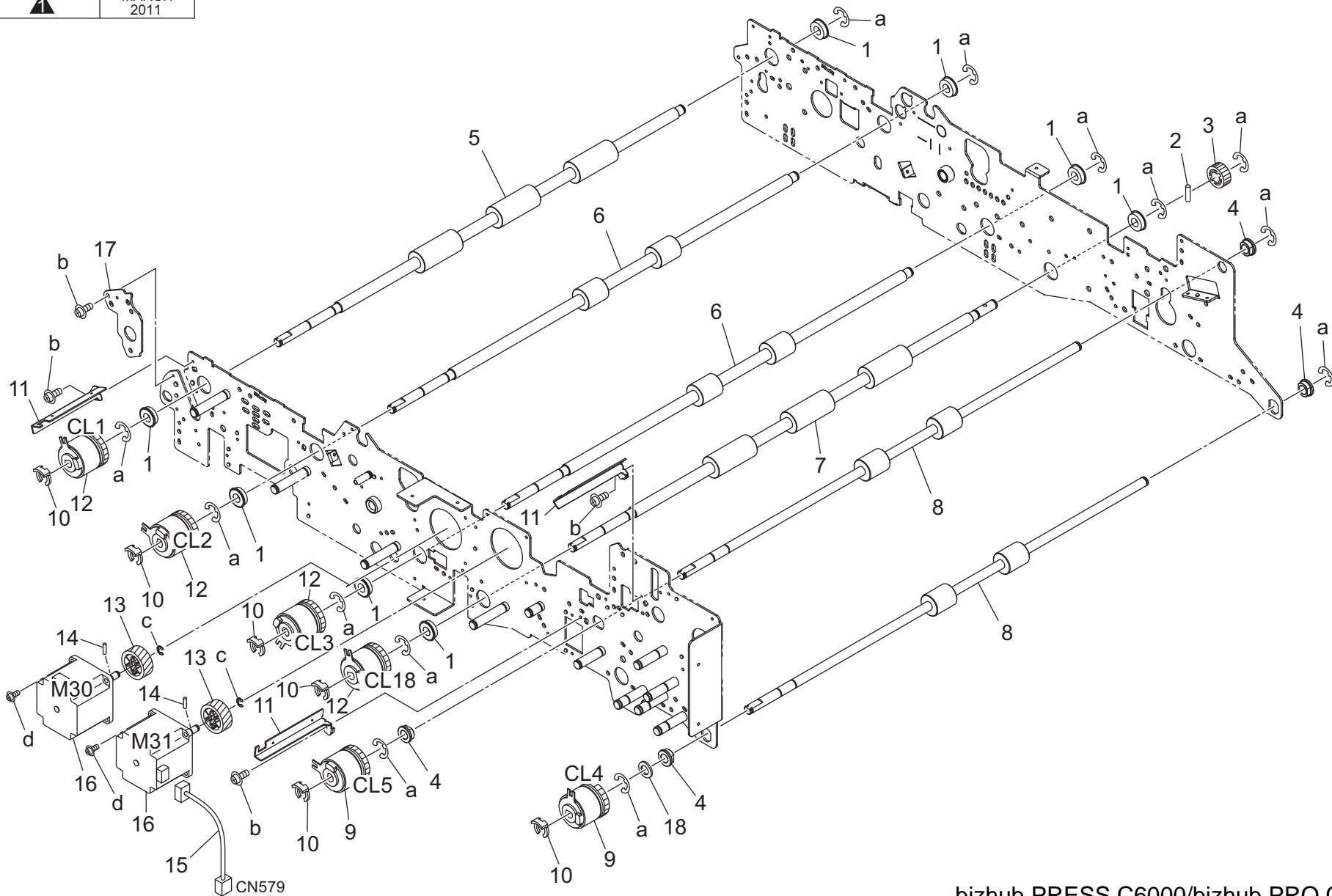


bizhub PRESS C6000/bizhub PRO C6000L

Key	Part No.	Description	Destinations	Class	QTY	Standard parts
1	57AA53520	ELECTRIC MOUNTING SCREW FRONT		C	2	a-V127030603 b-V118031003 c-V217040050 d-V121030403 e-V207060003 f-V127030516
2	A1DU817000	Mounting Plate	電装取り付けネジ 前 取付板 (ドロア/A)	D	1	
3	A1DU817100	Protection Cover	保護カバー	D	1	
4	A1DUR74900	Fixing Positioning Rail Caulking	定着位置決めレールカシメ	D	1	
5	65AA50720	LIFTING COVER 1	持ち上げカバー1	D	1	
6	A03U849801	Wire /Left	ワイヤー/左	C	1	
7	65AA51510	ADU OPEN SHUT SHAFT 3	ADU 開閉軸/3	D	2	
8	A03U813500	Wire Pulley	ワイヤー プーリ	C	2	
9	A03U813601	ADU Open/shut Spring /Upper	ADU 開閉バネ/上	C	4	
10	A03U813200	ADU Open/shut Plate	ADU 開閉板	D	1	
11	A03U813400	ADU Open/shut Shaft /2	ADU 開閉軸/2	D	1	
12	A03U813300	ADU Open/shut Shaft /1	ADU 開閉軸/1	D	1	
13	A03U813100	Wiring Guide Plate /2	束線案内板/2	D	1	
14	A1DUR73C00	Brake Assy	ブレーキ ASSY	C	1	
15	A03U839000	BRAKE GEAR /1 21T	ブレーキギア/1 21 T	C	1	
16	A03U815700	TORQUE LIMITER	トルクリミッター	B	1	
17	56GA76010	SLIDE SHAFT HOLDER 2	滑り軸受 2	C	1	
18	A1DU817300	Support Plate	支持板	D	1	
19	65AA50150	Pressing Spring /Right	押圧バネ/右	C	1	
20	65AA50090	CONVEYANCE GUIDE PLATE MIDDLE	搬送ガイド板 中	C	1	
21	65AA50080F	Conveyance Guide Plate /Right	搬送ガイド板/右	C	1	
22	65AA50560D	Cover	センサ カバー	D	1	
23	56AA85521	Conveyance Photo Sensor	搬送フォトセンサ	B	1	
24	A1RF943200	Release Label /2	解除ラベル/2	D	1	
25	12AJ45850	STOPPER RUBBER	ストッパーゴム	C	2	
26	65AA50160	Pressing Spring /Left	押圧バネ/左	C	1	
27	A1DUN18400	Conveyance Detection harness /1	搬送検知束線/1	D	1	
28	A03U850101	Slide Bushing	すべり軸受	C	4	
29	26NA42560	BY PASS FEED DRIVEN ROLLER	手差し従動ローラ	C	2	
30	65AA50640	CONVEYANCE DRIVEN SHAFT 2	搬送従動軸 2	C	1	
31	65AA51400	ADU SPRING A	ADU バネ A	C	2	
32	65AA51670D	ADU Open/shut Plate	ADU 開閉板	D	1	
33	65AA51530	ADU OPEN SHUT SHAFT 2	ADU 開閉軸/2	D	1	
34	25AA50080	WIRE PULLEY	ワイヤープーリ	C	2	
35	65AA51520	ADU OPEN SHUT SHAFT 1	ADU 開閉軸/1	D	1	
36	65AA50060E	Conveyance Guide Plate /Lower	搬送ガイド板/下	C	1	
37	A03U849701	Wire /Right	ワイヤー/右	C	1	
38	A1DU817500	Reinforce Plate	補強板	D	1	
39	A1DUN14901	Fixing Drive harness /1	定着駆動束線/1	D	1	

# DUPLEX SECTION

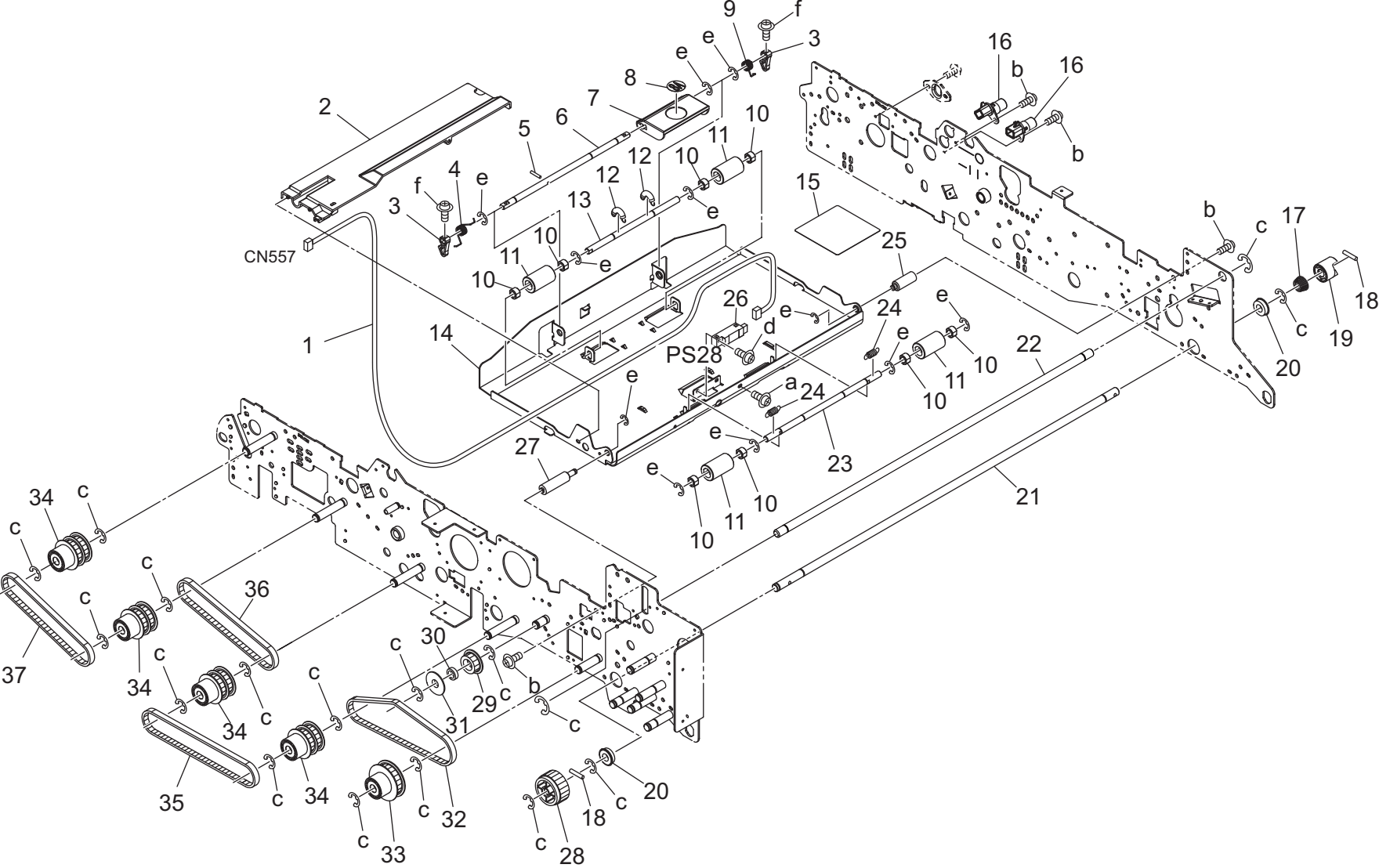
改訂版 REVISED EDITION	日付 DATE
	MARCH 2011



bizhub PRESS C6000/bizhub PRO C6000L

DUPLEX SECTION

Key	Part No.	Description	Destinations	Class	QTY	Standard parts
1	A00V240600	BALL BEARING		B	8	a-V217060050 b-V127030603 c-V217040050 d-V121030803
2	56AA17471	PIN B 3X12		C	1	
3	A03U838900	BRAKE GEAR /2 24T		C	1	
4	A03U812800	Slide Shaft Holder		B	4	
5	A03U842100	Roller /3		C	1	
6	A03U842200	Roller /4		C	2	
7	A03U850400	Roller /4		C	1	
8	A03U812200	ADU Conveying Roller /Right		C	2	
9	56AA82012	PAPER FEED DRIVING CLUTCH		B	2	
10	55VA42120	SHAFT STOPPER		C	6	
11	65AA51280E	ADU Locking Plate		D	3	
12	A03UM20100	Clutch /1		B	4	
13	65AA77520	REGISTRATION DRIVING GEAR 28T		C	2	
14	56AA17480	PIN B		C	2	
15	A03UN17700	Conveyance Drive harness /1		D	1	
16	A03UM11100	HB Motor /50		B	2	
17	A03U814800	Carrige Connecting Plate		D	1	
18	12QV40650	SPACER		B	1	

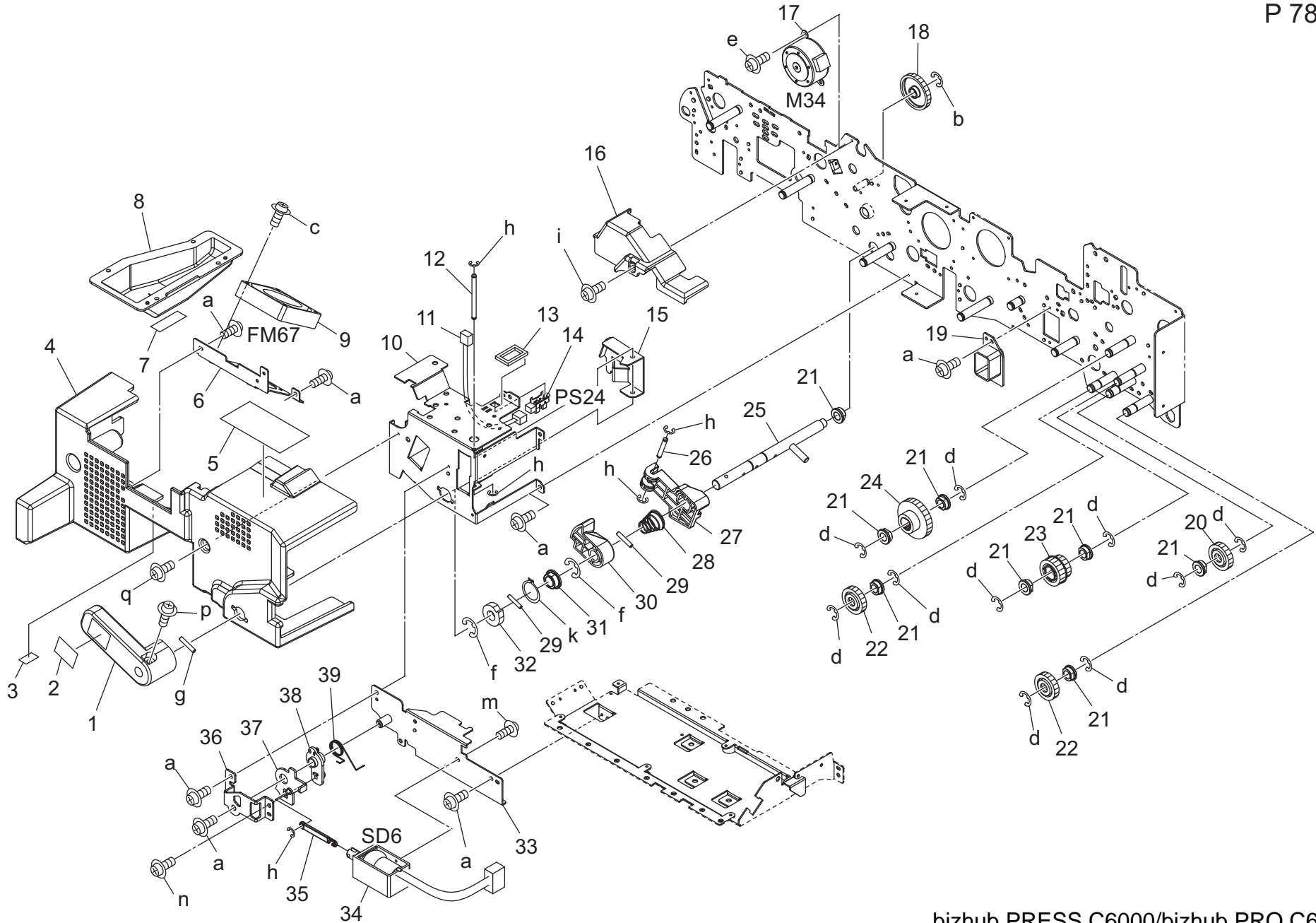


bizhub PRESS C6000/bizhub PRO C6000L

Key	Part No.	Description	Destinations	Class	QTY	Standard parts
1	65AA90850	Conveyance Detection Wiring /2	搬送検知束線 / 2	D	1	a-V158030803 b-V127030603 c-V217060050 d-V118031003 e-V217040050 f-V118030603
2	A03U815400	Cover /2	センサ カバー / 2	D	1	
3	56AA44200	LOCKING CLAW	ロック爪	C	2	
4	65AA50120E	Locking Spring /Right	ロックバネ / 右	C	1	
5	56AA17321	PIN A D2X12	ピン A D 2 X 1 2	B	1	
6	65AA50110	LOCKING SHAFT	ロック軸	D	1	
7	65AA49410	PAPER EXIT HANDLE	排紙把手	C	1	
8	A1RF943300	Release Label /3	解除ラベル / 3	D	1	
9	65AA50130E	Locking Spring /Left	ロックバネ / 左	C	1	
10	A03U850101	Slide Bushing	すべり軸受	C	8	
11	26NA42560	BY PASS FEED DRIVEN ROLLER	手差し従動ローラ	C	4	
12	65AA51400	ADU SPRING A	A D U バネ A	C	2	
13	65AA50640	CONVEYANCE DRIVEN SHAFT 2	搬送従動軸 2	C	1	
14	65AA50070D	Conveyance Guide Plate /Upper	搬送ガイド板 / 上	D	1	
15	A1DU942700	Caution Label /3	注意ラベル / 3	D	1	
16	A1DUR73K00	Powering Block A Assy	給電ブロック / A 部組	C	2	
17	56AA17090	PRESSURE SPRING	押圧バネ	C	1	
18	56AA17480	PIN B	ピン B	C	2	
19	55VA15541	CLEANER COUPLING PART	クリーナーカップリング部材	C	1	
20	A00V240600	BALL BEARING	ボールベアリング	B	2	
21	A03U812100	Drive Input Shaft	駆動入力軸	D	1	
22	65AA50471F	Carrige Handle /Right	架台 把手 / 右	D	1	
23	65AA51180	ADU DRIVEN SHAFT 1	A D U 従動軸 1	D	1	
24	65AA50170	CONVEYANCE SPRING	搬送バネ	C	2	
25	65AA50490	CONVEYANCE FULCRUM SHAFT REAR	搬送支点軸 / 奥	D	1	
26	56AA85521	Conveyance Photo Sensor	搬送フォトセンサ	B	1	
27	65AA50480	CONVEYANCE FULCRUM SHAFT FRONT	搬送支点軸 / 前	D	1	
28	65AA77540	PAPER FEED GEAR 2 29T	給紙歯車 2 2 9 T	C	1	
29	A03U839700	IDLING PULLEY 21T	アイドラプーリ 2 1 T	C	1	
30	12QV75030	Bearing /C	軸受 / C	C	1	
31	A03U813900	Regulating Plate	規制板	C	1	
32	A03U839100	BELT /1 327L	ベルト / 1 3 2 7 L	C	1	
33	A03U839501	Drive Pulley /1 24T/34T	駆動プーリ / 1 2 4 T / 3 4 T	C	1	
34	A03U839601	Drive Pulley /2 24/26T	駆動プーリ / 2 2 4 / 2 6 T	C	4	
35	A03U839200	BELT /2 339L	ベルト / 2 3 3 9 L	C	1	
36	A03U839300	BELT /3 300L	ベルト / 3 3 0 0 L	C	1	
37	A03U839400	BELT /4 282L	ベルト / 4 2 8 2 L	C	1	

# DUPLEX SECTION

P 78

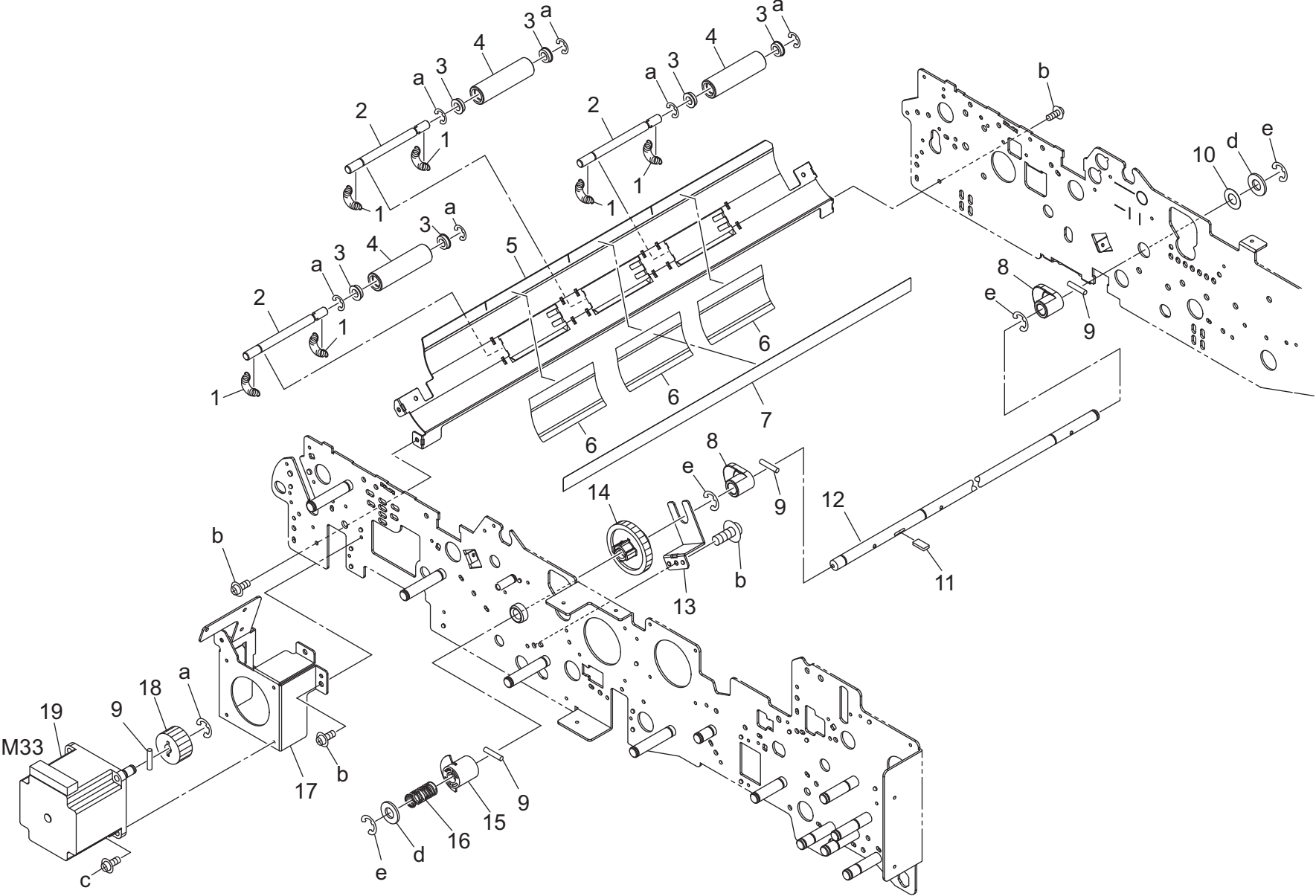


bizhub PRESS C6000/bizhub PRO C6000L

Key	Part No.	Description	Destinations	Class	QTY	Standard parts
1	57AA50760	CARRIAGE PULLING LEVER		C	1	a-V127030603
2	A1RF943100	Release Label /1		D	1	b-V217040050
3	A1DU817200	Vibrationproof Part		D	1	c-V121032003
4	A03U811003	ADU Cover /Left		C	1	d-V217060050
5	A1DU942900	Caution Label /5		D	1	e-V118030403
6	A1DU815000	Mounting Plate		D	1	f-V217080050
7	A03U736000	Auxiliary Seal /A		C	1	g-V233301650
8	A03U728300	Fusing Duct /1		C	1	h-V217030050
9	56AA80551	Fan Motor /2		B	1	i-V121030804
10	A03U810701	Lever Mounting Plate		D	1	k-V223150004
11	65AA90810	RELAY WIRING 1		D	1	m-V121030403
12	65AA50360D	Release Shaft /1		D	1	n-V151040803
13	65AA50860	COVER		C	1	p-V116041203
14	08AA85512	Photo Sensor		B	1	q-V121030604
15	65AA50310	TRANSFER RELEASE PLATE		D	1	
16	A03U814902	Transfer Release Cover		C	1	
17	15AAR73600	MOTOR 2 ASSY		C	1	
18	40AA77550	Mirror Drive Gear /2 14/70T		C	1	
19	A03U810900	Wiring Guide Part		C	1	
20	25AA77720	CONVEYANCE IDLER LEFT 24T		C	1	
21	A03U812800	Slide Shaft Holder		B	8	
22	25AA77730	CONVEYANCE IDLER RIGHT 24T		C	2	
23	65AA77720	BY PASS FEED DRIVING GEAR 1 20T/24T		C	1	
24	65AA77730	BY PASS FEED DRIVING GEAR 2		C	1	
25	A1DUR73M00	Lock Pin Assy		C	1	
26	65AA50370D	Cam Fulcrum Shaft		D	1	
27	65AA50320	Locking Cam		C	1	
28	65AA50420	CAM HOLDING SPRING		C	1	
29	56AA17461	PIN A		B	2	
30	65AA50350	Release Cam		C	1	
31	462076010	DRIVING SLIDE SHAFT HOLDER A		C	1	
32	25AA47500	CARRIAGE LOCK CLAW B		C	1	
33	A03UF83600	Carrige Locking Side Plate Caulking		D	1	
34	A1DUR73N00	Adu Connecting Solenoid Assy		B	1	
35	56AA50730	SOLENOID PULLING LEVER		C	1	
36	65AA50840	SHAFT HOLDING PLATE		D	1	
37	A1DUR74800	Lever Lock Plate Caulking		D	1	
38	56AA50700	LEVER LOCKING PART		C	1	
39	65AA50810	LOCKING SPRING RIGHT		C	1	



DUPLEX SECTION



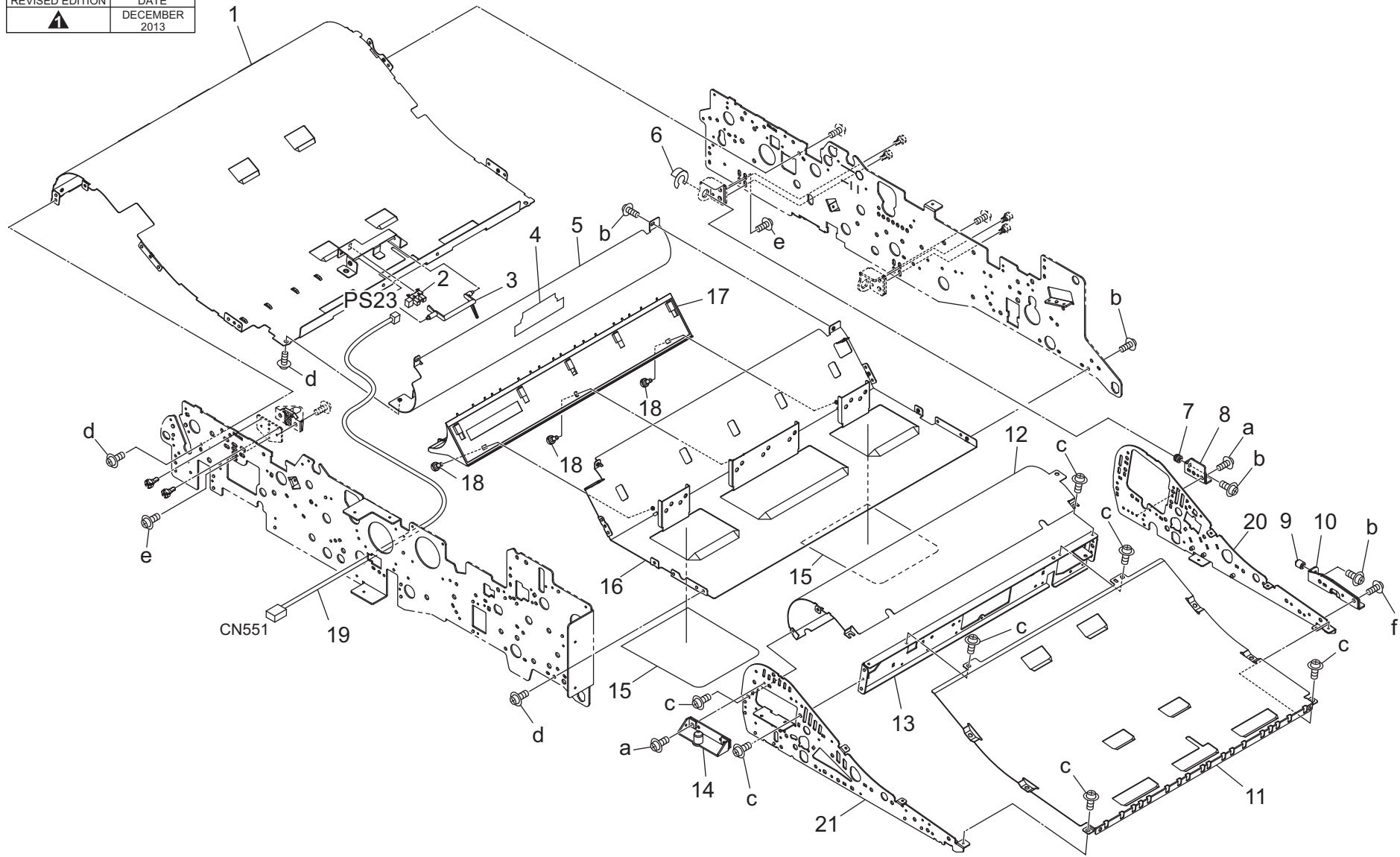
bizhub PRESS C6000/bizhub PRO C6000L

DUPLEX SECTION

Key	Part No.	Description	Destinations	Class	QTY	Standard parts
1	A03U814300	Conveyance Spring		C	6	a-V217040050 b-V127030603 c-V121030803 d-V207080003 e-V217060050
2	A03U814100	Idler Shaft /Lower		D	3	
3	A00J617800	BALL BEARING		B	6	
4	A03U814200	Idler Roll		C	3	
5	A03U814000	Guide Plate /Lower		C	1	
6	A03U814400	Guide Sheet		C	3	
7	A03U815800	GUIDE SHEET /A		C	1	
8	A03U522100	Pressure Cam		C	2	
9	56AA17321	PIN A D2X12		B	4	
10	55VA32530	SPACER		C	1	
11	A03U524000	Drive Plate /1		D	1	
12	A03U522001	Release Shaft		D	1	
13	65AA45241	GEAR REGULATING PLATE		D	1	
14	65AA77710	TRANSFER RELEASE GEAR 1 38T		C	1	
15	65AA45220	Transfer Pressure Actuator		C	1	
16	65AA45230	CAM PULLING SPRING		C	1	
17	A03U814501	Positioning Plate /Lower		D	1	
18	A03U889900	RIVERSE/EXIT GEAR /1 22T		C	1	
19	A03UM11100	HB Motor /50		B	1	

# DUPLEX SECTION

改訂版 REVISED EDITION	日付 DATE
▲	DECEMBER 2013

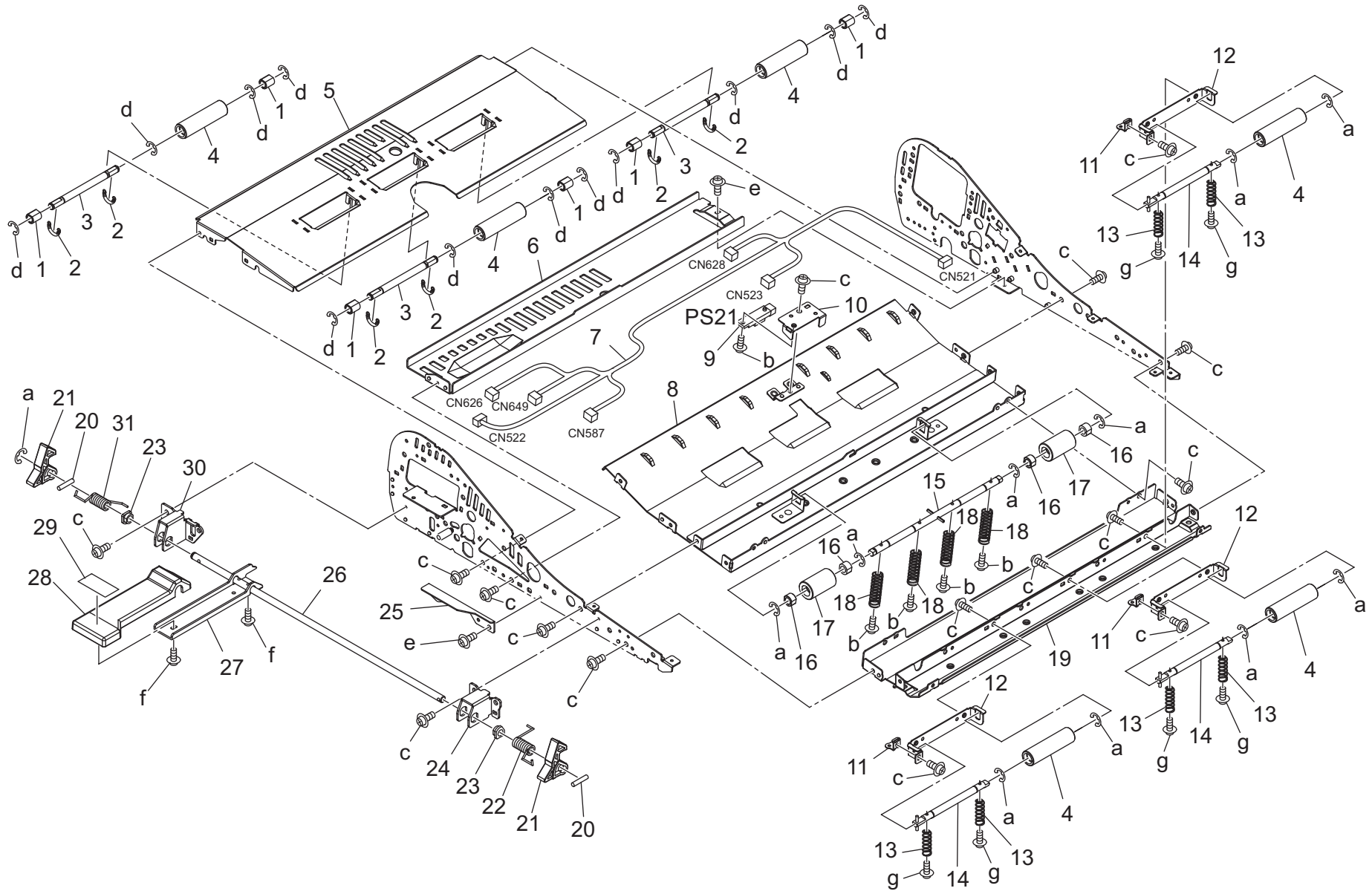


bizhub PRESS C6000/bizhub PRO C6000L

Key	Part No.	Description	Destinations	Class	QTY	Standard parts
1	A03U840101	Guide Plate /1		C	1	a-V121030603 b-V127030603 c-V118030403 d-V121030403 e-V116030803 f-V121030803
2	08AA85512	Photo Sensor		B	1	
3	65AA51730	ADU 2		C	1	
4	A03U850500	Guide Sheet		D	1	
5	A03U840201	GUIDE PLATE /2		C	1	
6	55VA42120	SHAFT STOPPER		C	1	
7	A03U843700	Support Shaft /Left		D	1	
8	A03U843601	Support Plate /Left		D	1	
9	A03U843900	Support Shaft /Right		D	1	
10	A03U843801	Support Plate /Right		D	1	
11	A03U841800	Guide Plate /M		C	1	
12	A03U841700	Guide Plate /L		C	1	
13	A03U842301	Support Plate /1		D	1	
14	A03UF84300	Mounting Plate /1 Caulking		D	1	
15	A03U815900	GUIDE SHEET		C	2	
16	A03U840400	Guide Plate /4		C	1	
17	A03U840300	Guide Plate /3		C	1	
18	65AA49510F	FIXING SCREW /1		C	3	
19	65AA90710	ADU RELAY WIRING 2		D	1	
20	A03UF84100	Panel /Rear Caulking		D	1	
21	A03UF84400	Panel /Front Caulking		D	1	

# DUPLEX SECTION

P 81

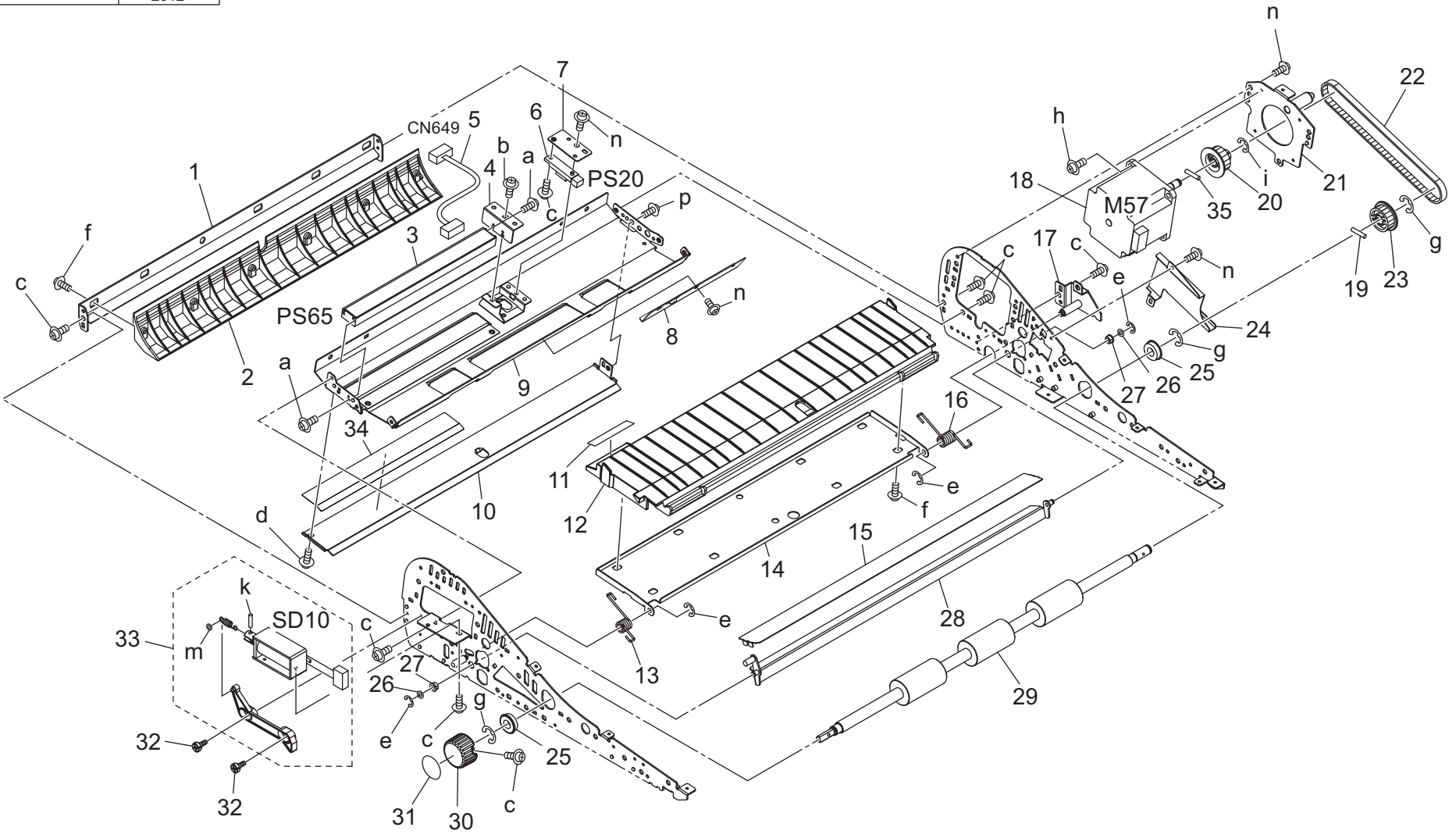


bizhub PRESS C6000/bizhub PRO C6000L

Key	Part No.	Description	Destinations	Class	QTY	Standard parts
1	A03U845200	Collar /1		C	6	a-V217040050 b-V118030603 c-V121030403 d-V217030050 e-V121030603 f-V158030803 g-V118030403
2	A03U842600	Conveyance Spring /2		C	6	
3	A03U845100	Idler Shaft /B		D	3	
4	A03U845301	Idler Roller /1		C	6	
5	A03U841200	Guide Plate /F		C	1	
6	A03U848300	Reinforce Plate /B		D	1	
7	A03UN15302	ADU RELAY WIRING		D	1	
8	A03U841302	GUIDE PLATE /G		C	1	
9	13QA85511	Sensor 1		B	1	
10	A03U850200	Mounting Plate /F		D	1	
11	A03U846200	Mounting Plate /6		D	3	
12	A03U846100	Mounting Plate /5		D	3	
13	A03U843000	Conveyance Spring /6		C	6	
14	A1DUR73R00	Idler Shaft /F Assy		D	3	
15	A1DUR73Q00	Idler Shaft /E Assy		D	1	
16	A03U850101	Slide Bushing		C	4	
17	26NA42560	BY PASS FEED DRIVEN ROLLER		C	2	
18	A03U842900	Conveyance Spring /5		C	4	
19	A03U841400	Guide Plate /H		C	1	
20	56AA17471	PIN B 3X12		C	2	
21	A03U844700	Lock Claw		C	2	
22	A03U844600	Open /Close Spring /2		C	1	
23	466076020	PAPER FEED SHAFT HOLDER		B	2	
24	A03U844300	Mounting Plate /Right		D	1	
25	A03UF84500	Mounting Plate /B Caulking		D	1	
26	A03U844400	Lock Shaft		D	1	
27	A03U844802	Open/close Plate		D	1	
28	A03U844901	Open/close Lever		C	1	
29	A1DU943800	Release Label /8		D	1	
30	A03U844200	Mounting Plate /Left		D	1	
31	A03U844500	Open /Close Spring /1		C	1	

# DUPLEX SECTION

改訂版 REVISED EDITION	日付 DATE
	MAY 2012

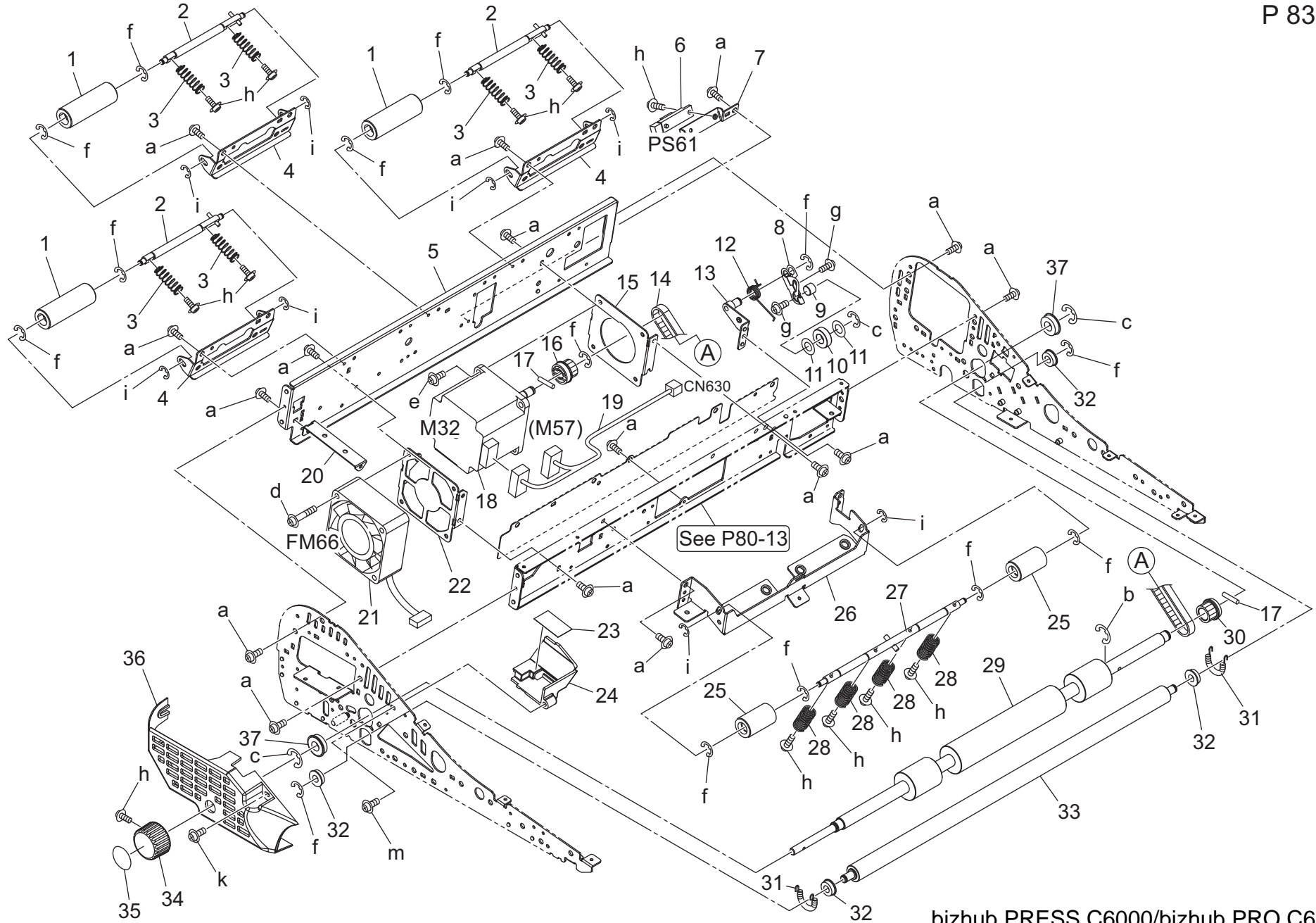


bizhub PRESS C6000/bizhub PRO C6000L

Key	Part No.	Description	Destinations	Class	QTY	Standard parts
1	A03U841600	Guide Plate /K		C	1	a-V145260503
2	A03U841500	Guide Plate /J		C	1	b-V127030603
3	A0Y5M55100	Compensating Sensor		C	1	c-V118030603
4	A03U847100	Mounting Plate /9		D	1	d-V118030303
5	A03UN23000	ADU Relay Wiring /5		D	1	e-V217030050
6	13QA85511	Sensor 1		B	1	f-V151030603
7	A03U847000	Mounting Plate /8		D	1	g-V217060050
8	A03U850600	GUIDE PLATE /S		C	1	h-V121030803
9	A03U841101	Guide Plate /E		C	1	i-V217040050
10	A03U841000	Guide Plate /D		C	1	k-V233301250
11	A1DU943900	Release Label /9		D	1	m-V226020050
12	A03U840700	Guide Plate /A		C	1	n-V121030603
13	A03U848000	Open/close Spring /3		C	1	p-V118030403
14	A03U848200	Reinforce Plate /A		D	1	
15	A03U840800	Guide Plate /B		C	1	
16	A03U848100	Open/close Spring /4		C	1	
17	A03UF85800	Support Plate /C Caulking		D	1	
18	65AA80112	HB Motor /50		B	1	
19	56AA17300	PIN		C	1	
20	A03U859400	PULLEY /1 24T		C	1	
21	A03UF85700	Mounting Plate /2 Caulking		D	1	
22	A03U859900	BELT /2 330L		C	1	
23	A03U859500	PULLEY /2 24T		C	1	
24	A03U846600	Cover Plate		D	1	
25	A00V240600	BALL BEARING		B	2	
26	65AA49520	PAPER EXIT MOUNTING SPACER		C	2	
27	A1RF846400	Bushing /A		C	2	
28	A03U840901	Guide Plate /C		C	1	
29	A03U842000	Roller /2		C	1	
30	14GE45470	Rotation Knob		C	1	
31	A1RF944100	Release Label /11		D	1	
32	A1DU845100	Fixing Screw /1		C	2	
33	A1DUR73D00	Adu Solenoid Assy		C	1	
34	A1RF855601	Detecting Sheet		D	1	
35	A1DU845200	Pin		D	1	



# DUPLEX SECTION

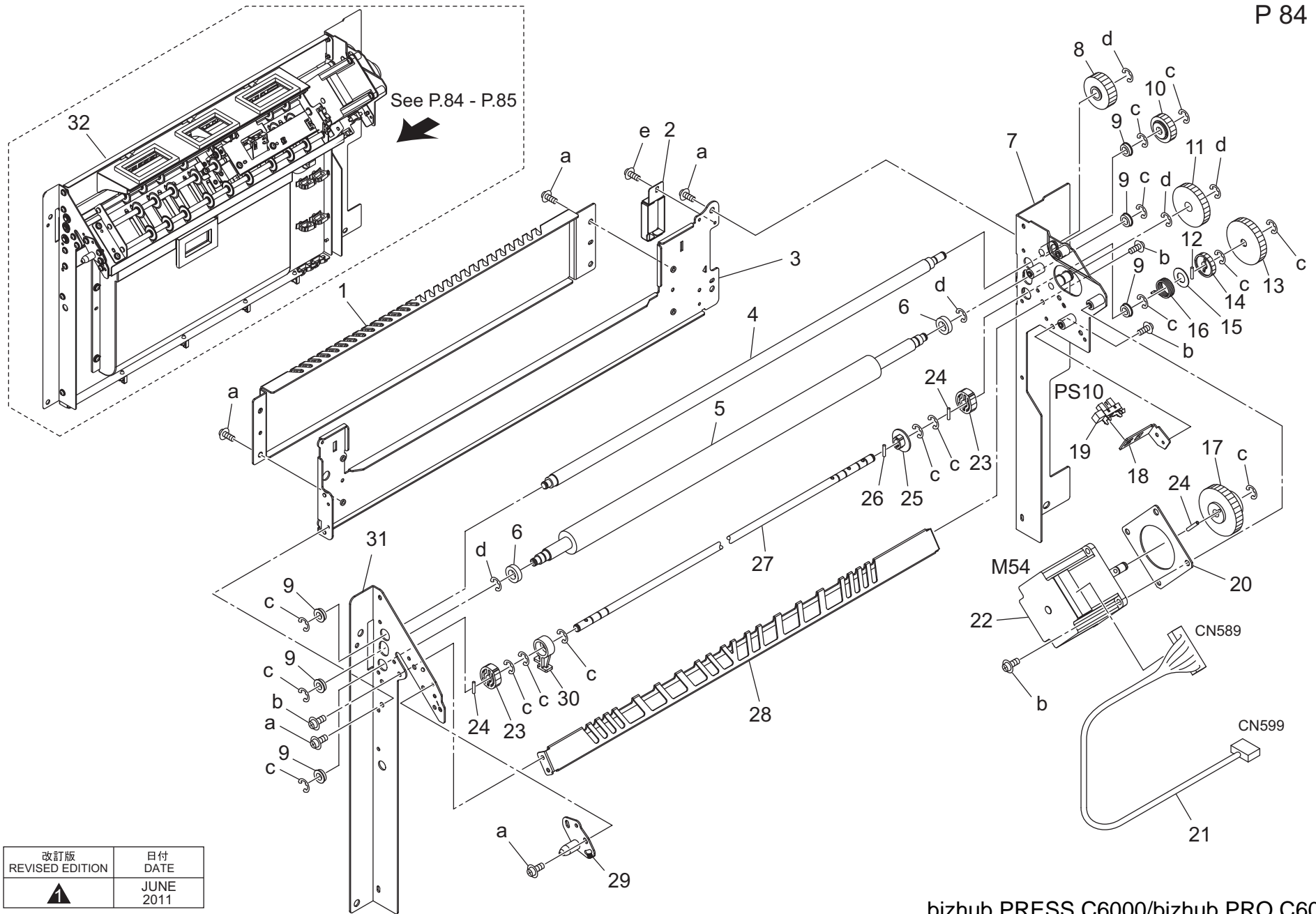


bizhub PRESS C6000/bizhub PRO C6000L

Key	Part No.	Description	Destinations	Class	QTY	Standard parts
1	A03U845601	Idler Roller /2		C	3	a-V121030403
2	A1DUR73E00	Idler Shaft /C Assy		D	3	b-V217080050
3	A03U842700	Conveyance Spring /3		C	6	c-V217060050
4	A03U845400	Mounting Plate /3		D	3	d-V121033003
5	A03U842400	Support Plate /2		D	1	e-V121030803
6	13QA85511	Sensor 1		B	1	f-V217040050
7	A03U847200	Mounting Plate /A		D	1	g-V121030603
8	A03U848701	Support Plate /E		D	1	h-V118030603
9	A03U848602	Tension Shaft		C	1	i-V217030050
10	A1RJ817200	Ball bearing /8		C	1	k-V127030603
11	65AA49500	PAPER EXIT SPACER 1		C	2	m-V151030803
12	A03U848800	Tension Spring		C	1	
13	A03UF85900	Support Shaft /D Caulking		D	1	
14	A03U859800	BELT /1 159L		C	1	
15	A03U846700	Slide Plate /A		D	1	
16	A03U859600	PULLEY /3 16T		C	1	
17	56AA17480	PIN B		C	2	
18	65AA80112	HB Motor /50		B	1	
19	A03UN21600	ADU Relay Wiring /4		D	1	
20	A03U846900	Mounting Plate /7		D	1	
21	56QA80570	INTERNAL COOLING FAN		C	1	
22	A03U846800	Slide Plate /B		D	1	
23	A03U848901	Sheet /1		C	1	
24	A03U847300	Duct /A		D	1	
25	A03U845901	Idler Roller /3		C	2	
26	A03U845700	Mounting Plate /4		D	1	
27	A1DUR73P00	Idler Shaft /D Assy		D	1	
28	A03U842800	Conveyance Spring /4		C	4	
29	A03U841900	Roller /1		C	1	
30	A03U859700	PULLEY /4 16T		C	1	
31	A03U842500	Conveyance Spring /1		C	2	
32	A0G6243900	Ball Bearing		C	4	
33	A03U845001	Idler Shaft /A		C	1	
34	14GE45470	Rotation Knob		C	1	
35	A1RF944000	Release Label /10		D	1	
36	A03U849601	Cover /Front		C	1	
37	A00V240600	BALL BEARING		B	2	

# PAPER EXIT SECTION

P 84



改訂版 REVISED EDITION	日付 DATE
▲	JUNE 2011

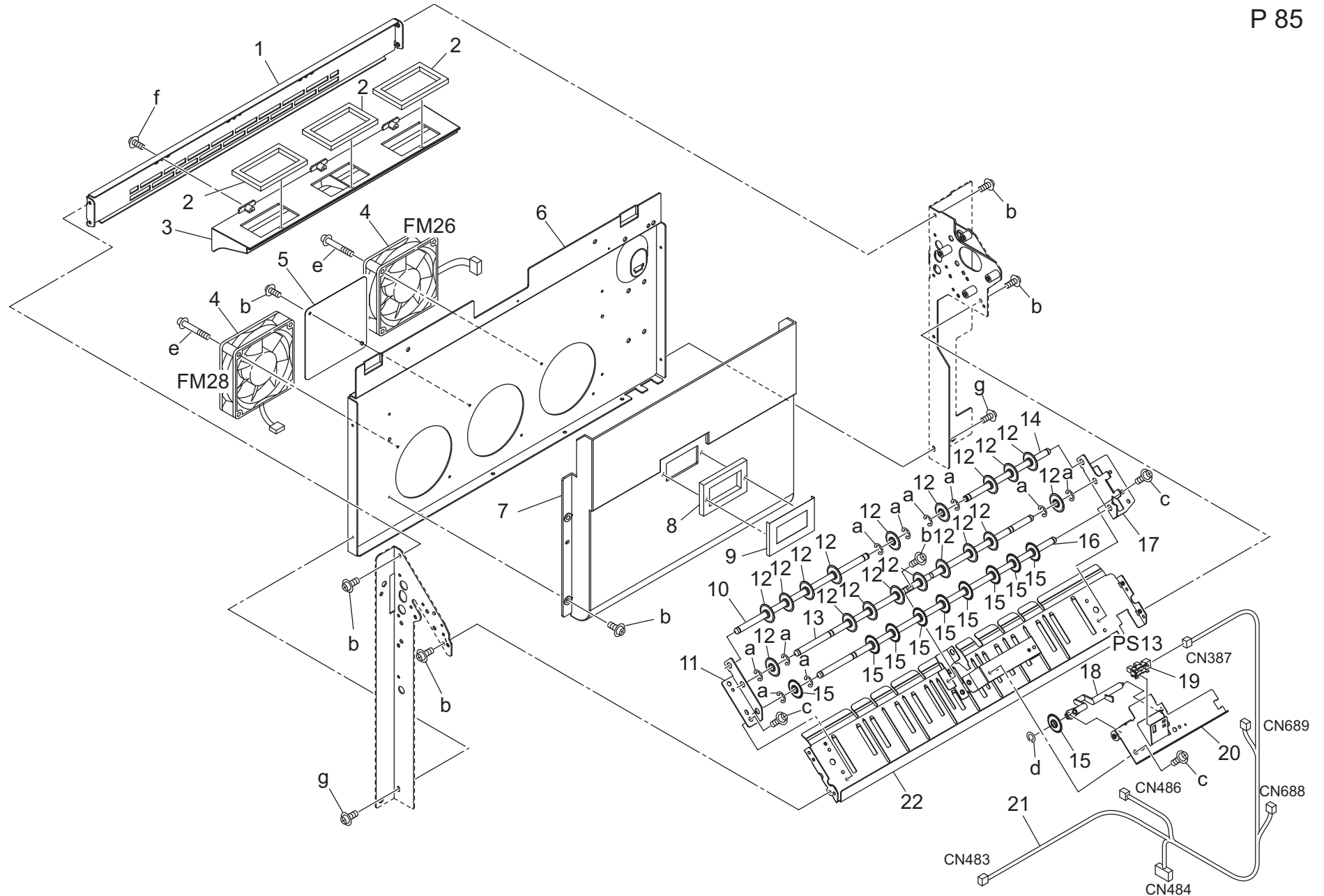
bizhub PRESS C6000/bizhub PRO C6000L

Order here  
8 (495) 646-0426  
ПЯТЫЙ ПАРТНЕР www.km-shop.ru

PAPER EXIT SECTION

Key	Part No.	Description	Destinations	Class	QTY	Standard parts
1	A03U893301	GUIDE PLATE /Z		C	1	a-V121030603 b-V121030803 c-V217040050 d-V217060050 e-V121030403
2	A03U893400	Drive Cover		D	1	
3	A03U890501	Reinforce Plate /Left		D	1	
4	A03U892500	Paper Exit Shaft		C	1	
5	A03U892600	Paper Exit Roller /B		B	1	
6	A1RF517300	bearing		C	2	
7	A03UF89200	Exit MT Plate /R Caulking		D	1	
8	A03U909800	PAPER EXIT GEAR /2 29T		C	1	
9	A00J617800	BALL BEARING		B	6	
10	A03U909701	PAPER EXIT GEAR /3 23T		C	1	
11	A03U909600	PAPER EXIT GEAR /4 37T		C	1	
12	56AA17321	PIN A D2X12		B	1	
13	A03U909502	PAPER EXIT GEAR /5 40T		C	1	
14	A03U893000	Slide Plate		C	1	
15	A03U893101	Spacer /Rear		C	1	
16	A03U893200	Stopper Spring		C	1	
17	A03U909900	Paper exit Gear /1 22/44T		C	1	
18	A03U890900	PLATE /REAR		D	1	
19	08AA85512	Photo Sensor		B	1	
20	A03U890800	Positioning Plate /Rear		D	1	
21	A03UN21701	Paper exit Drive Wiring /2		D	1	
22	A03UM11100	HB Motor /50		B	1	
23	A03U892701	Positioning Cam		C	2	
24	56AA17551	PIN A		C	3	
25	A03U892800	Positioning Roll		C	1	
26	56AA17310	PIN		C	1	
27	A03U892902	Regulating Shaft		C	1	
28	A03U890200	Guide Plate /Lower		C	1	
29	A03UF90000	Positioning Shaft Caulking		D	1	
30	A03U893502	Regulating Cam		C	1	
31	A03U890300	Paper exit Plate /Front		D	1	
32	A1DUR74N00	Exit Unit		C	1	

# PAPER EXIT SECTION



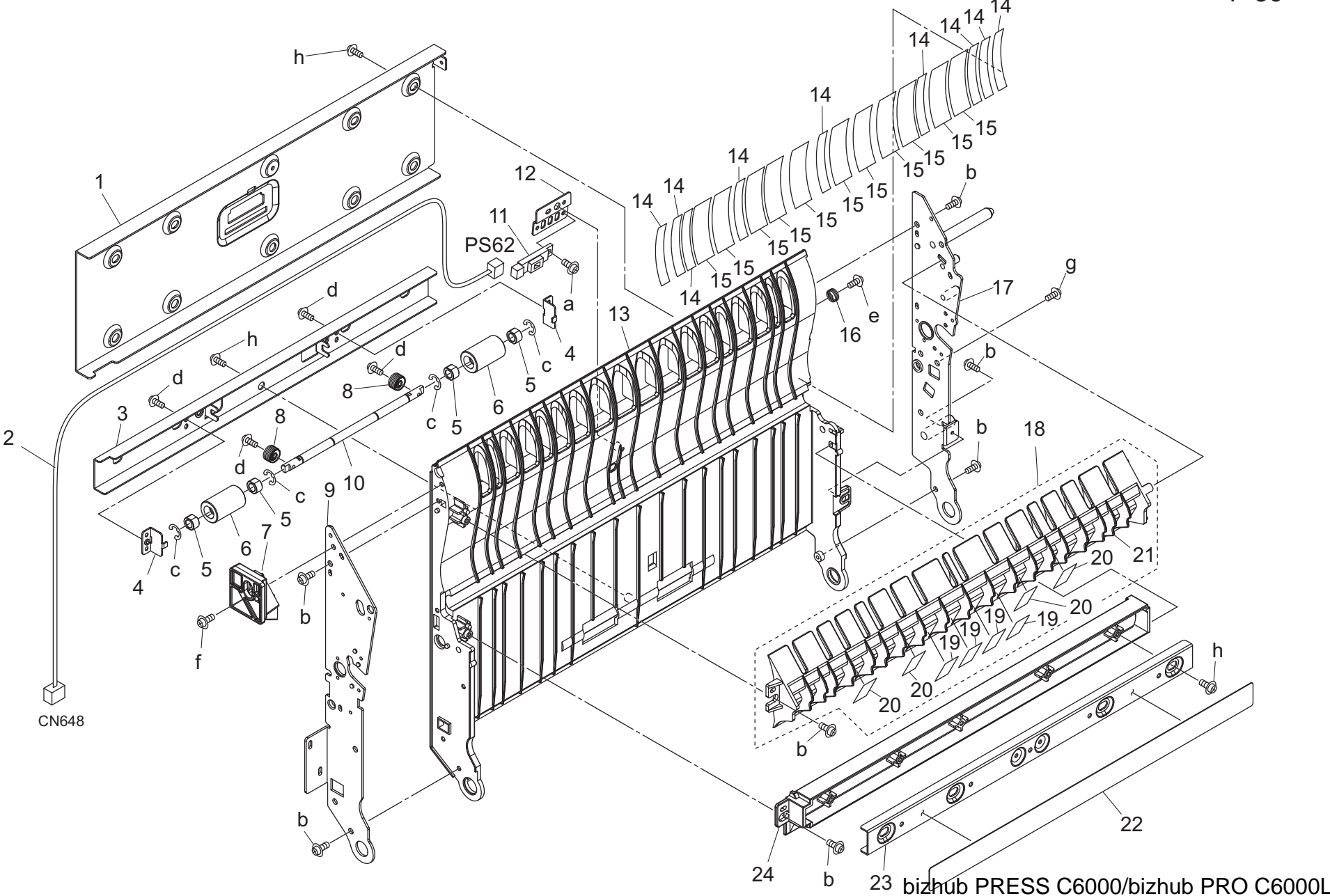
bizhub PRESS C6000/bizhub PRO C6000L

PAPER EXIT SECTION

Key	Part No.	Description	Destinations	Class	QTY	Standard parts
1	A03U892100	Guide Plate /Left		D	1	a-V217040050
2	65LA48530	DUCT SEAL 1		D	3	b-V121030603
3	A03U892200	Cooling Duct /2		D	1	c-V121030403
4	9J03M10000	FAN MOTOR		B	2	d-V226030050
5	A1DU894000	Cover		D	1	e-V121033003
6	65AA48230F	Paper exit Mounting Plate		D	1	f-V158030803
7	65AA48302E	Paper Exit Duct		D	1	g-V127030603
8	A03U892400	Seal		C	1	
9	A03U892300	Sheet		C	1	
10	A03U891900	Fixing Shaft /5		D	1	
11	A03U891500	Support Side plate /Front		D	1	
12	65AA48460	PAPER HOLDING PART 2		C	18	
13	A03U891800	Fixing Shaft /2		D	1	
14	A03U892000	Fixing Shaft /6		D	1	
15	65AA48360	Paper Holding Part /1		C	10	
16	A03U891700	Fixing Shaft /1		D	1	
17	A03U891600	Support Side plate /Rear		D	1	
18	65AA48440	PAPER EXIT 3		C	1	
19	08AA85512	Photo Sensor		B	1	
20	A03U891400	Support Plate /A		D	1	
21	A1DUN17500	Main body Relay harness /4		D	1	
22	A03U890100	Guide Plate /Upper		C	1	

bizhub PRESS C6000/bizhub PRO C6000L

DUPLEX SECTION : PAPER EXIT GUIDE

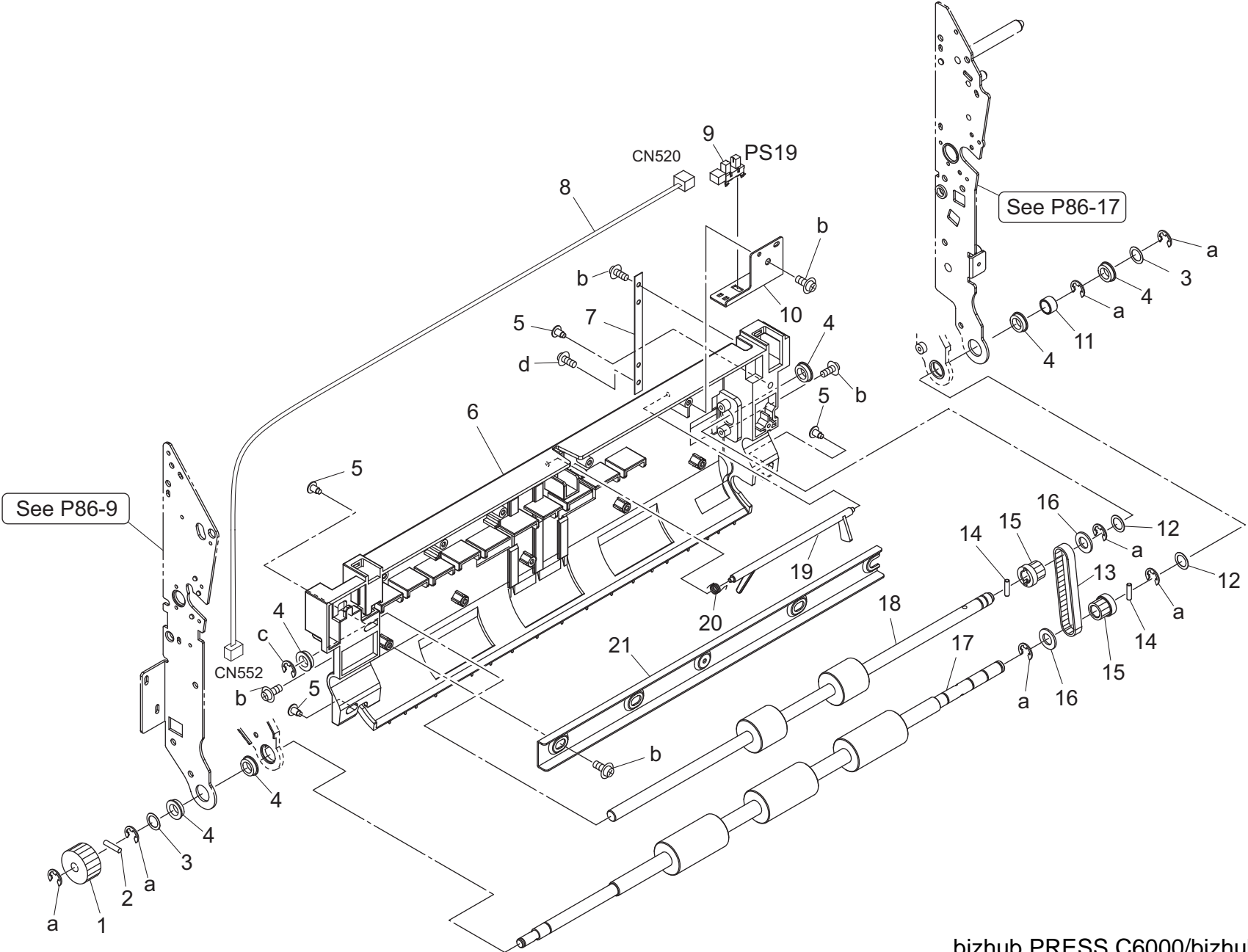


# DUPLEX SECTION : PAPER EXIT GUIDE

Key	Part No.	Description	Destinations	Class	QTY	Standard parts
1	A03U862600	Reinforce Plate /3		D	1	a-V118030503 b-V127030603 c-V217040050 d-V121030403 e-V121030603 f-V158031803 g-V158031203 h-V158030803
2	A03UN23101	Relay harness /1		D	1	
3	A03U861300	Positioning Plate /Lower		D	1	
4	A03U861500	Stopper Plate		D	2	
5	A03U850101	Slide Bushing		C	4	
6	26NA42560	BY PASS FEED DRIVEN ROLLER		C	2	
7	65AA49141	PAPER EXIT POSITIONING PART		C	1	
8	A03U861600	Pressing Spring /A		C	2	
9	A03U860402	Reinforce Plate /Front		D	1	
10	A03U862100	Idler Shaft /A		D	1	
11	13QA85511	Sensor 1		B	1	
12	A03U861900	Fixing Plate		D	1	
13	A03U860102	Guide Plate /A		C	1	
14	A03U864200	Guide Sheet /1		C	9	
15	A03U864300	Guide Sheet /2		C	11	
16	65AA49450	NEUTRALIZING SPRING		C	1	
17	A03UF87100	Reinforce Plate /Rear Assy		D	1	
18	A1DUR72200	Paper Exit Guide Plate /5 Assy		C	1	
19	A03U863801	Slide Sheet /3		C	4	
20	A03U864001	Slide Sheet /4		C	4	
21	65AA49110	PAPER EXIT GUIDE PLATE 5		C	1	
22	65AA49180	Heat Insulat Sheet /2		C	1	
23	65AA49470	PAPER EXIT REINFORCE PLATE 5		D	1	
24	A03U862000	Guide Plate /6		C	1	



DUPLEX SECTION : PAPER EXIT GUIDE

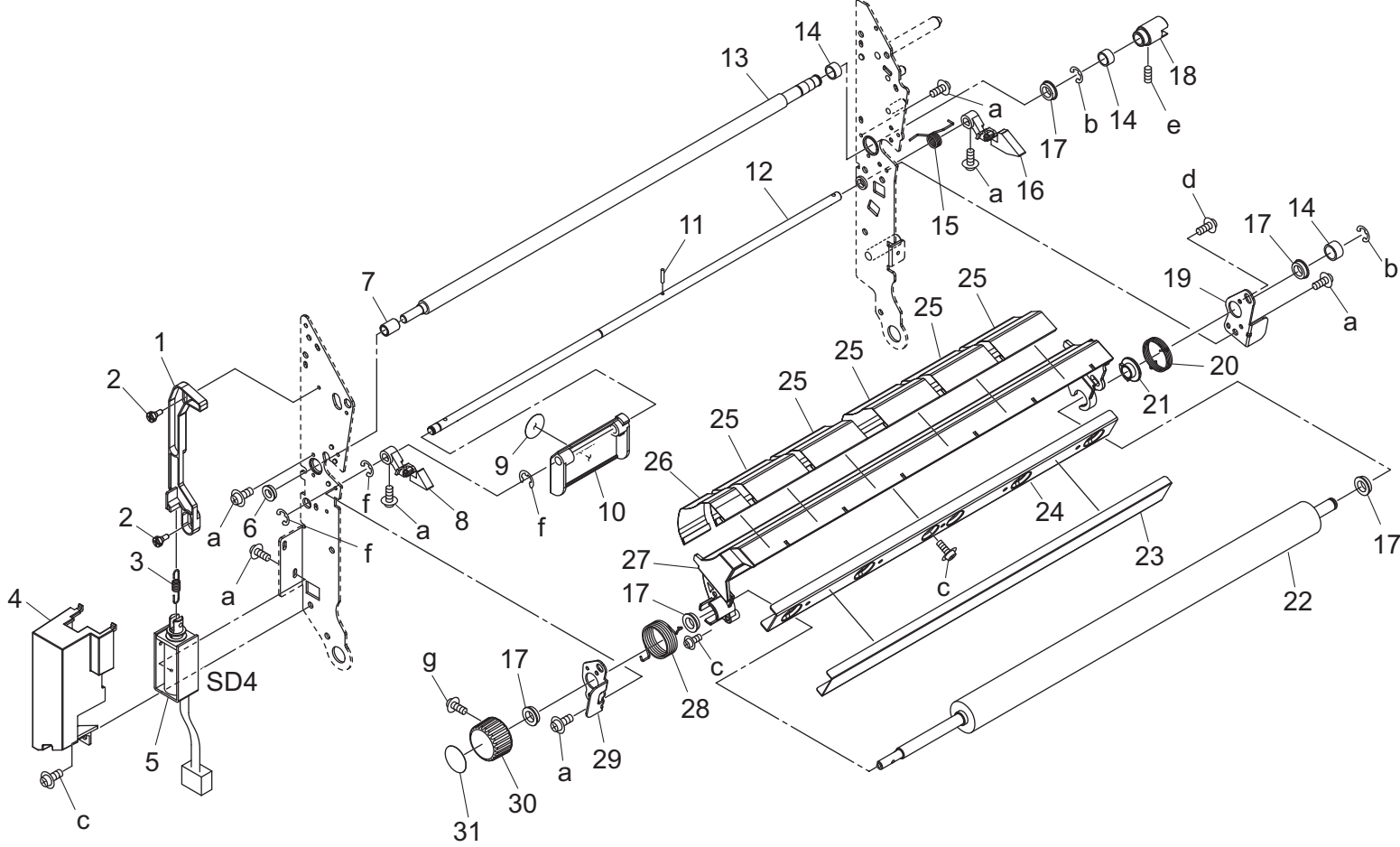


bizhub PRESS C6000/bizhub PRO C6000L

# DUPLEX SECTION : PAPER EXIT GUIDE

Key	Part No.	Description	Destinations	Class	QTY	Standard parts
1	A03U889900	RIVERSE/EXIT GEAR /1 22T		C	1	a-V217060050 b-V158030803 c-V217040050 d-V127030603
2	56AA17321	PIN A D2X12		B	1	
3	56AA42690	BY PASS FEED SPACER		C	2	
4	A00J617900	Ball Bearing		B	6	
5	26NA54230	TERMINAL FIXING SCREW		C	4	
6	A03U860201	Guide Plate /B		C	1	
7	A03U862700	Stopper Belt		C	1	
8	65AA90720E	ADU RELAY WIRING /3		D	1	
9	08AA85512	Photo Sensor		B	1	
10	65AA51480	FIXING PLATE 1		D	1	
11	65AA49190	COLLAR 1		C	1	
12	13QA40610	Gear Spacer		C	2	
13	A03U889500	BELT /3 148L		C	1	
14	56AA17471	PIN B 3X12		C	2	
15	A03U889600	CONVEYANCE PULLEY 20T		C	2	
16	A03U861100	Collar /A		C	2	
17	A03U861800	Riverse /Exit Roller /Lower		C	1	
18	A03U860900	Riverse /Exit Roller /Middle		C	1	
19	65AA51311	ADU Sensor		C	1	
20	65AA51500	SPRING		C	1	
21	A03U860800	Reinforce Plate /Lower		D	1	

DUPLEX SECTION : PAPER EXIT GUIDE

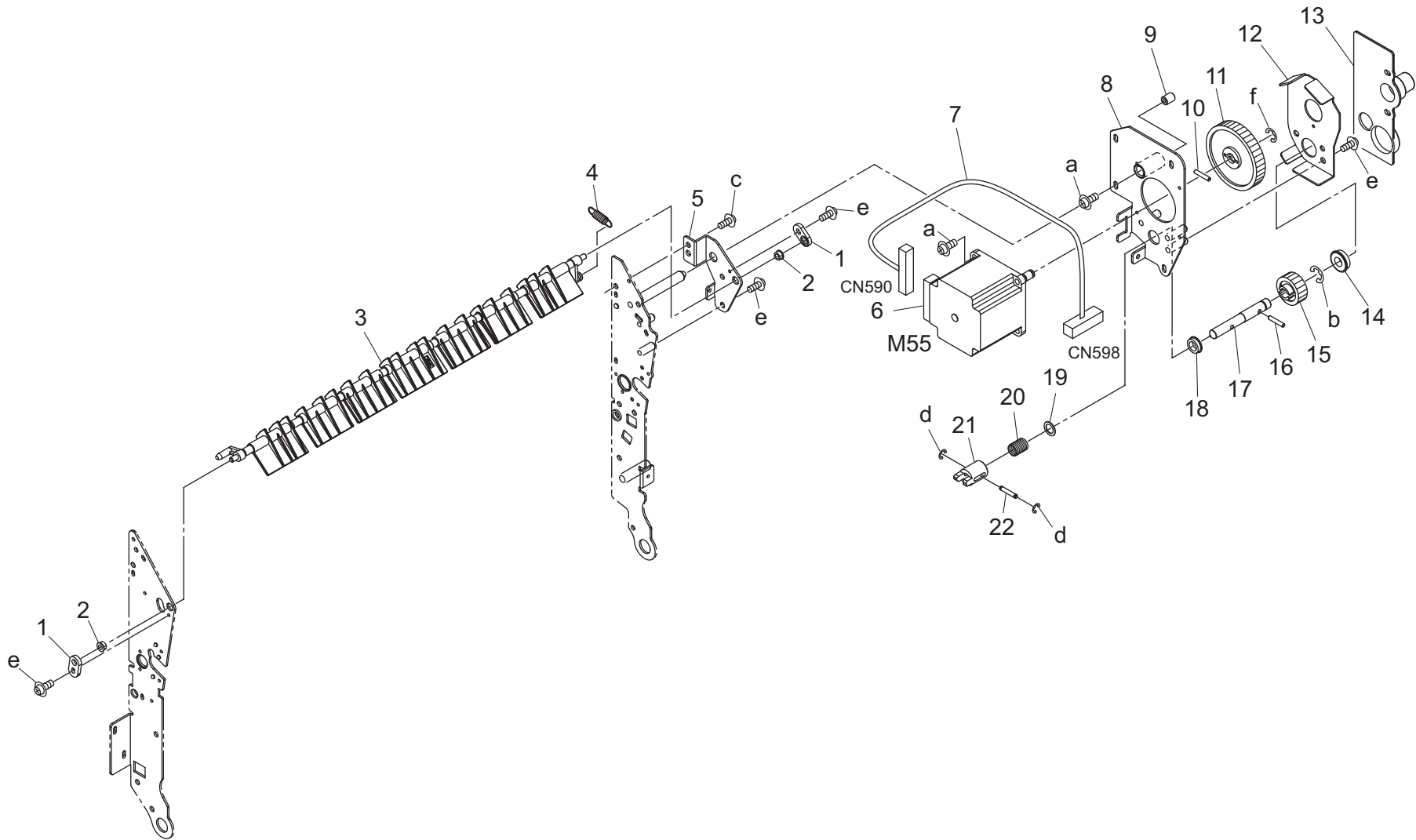


bizhub PRESS C6000/bizhub PRO C6000L

# DUPLEX SECTION : PAPER EXIT GUIDE

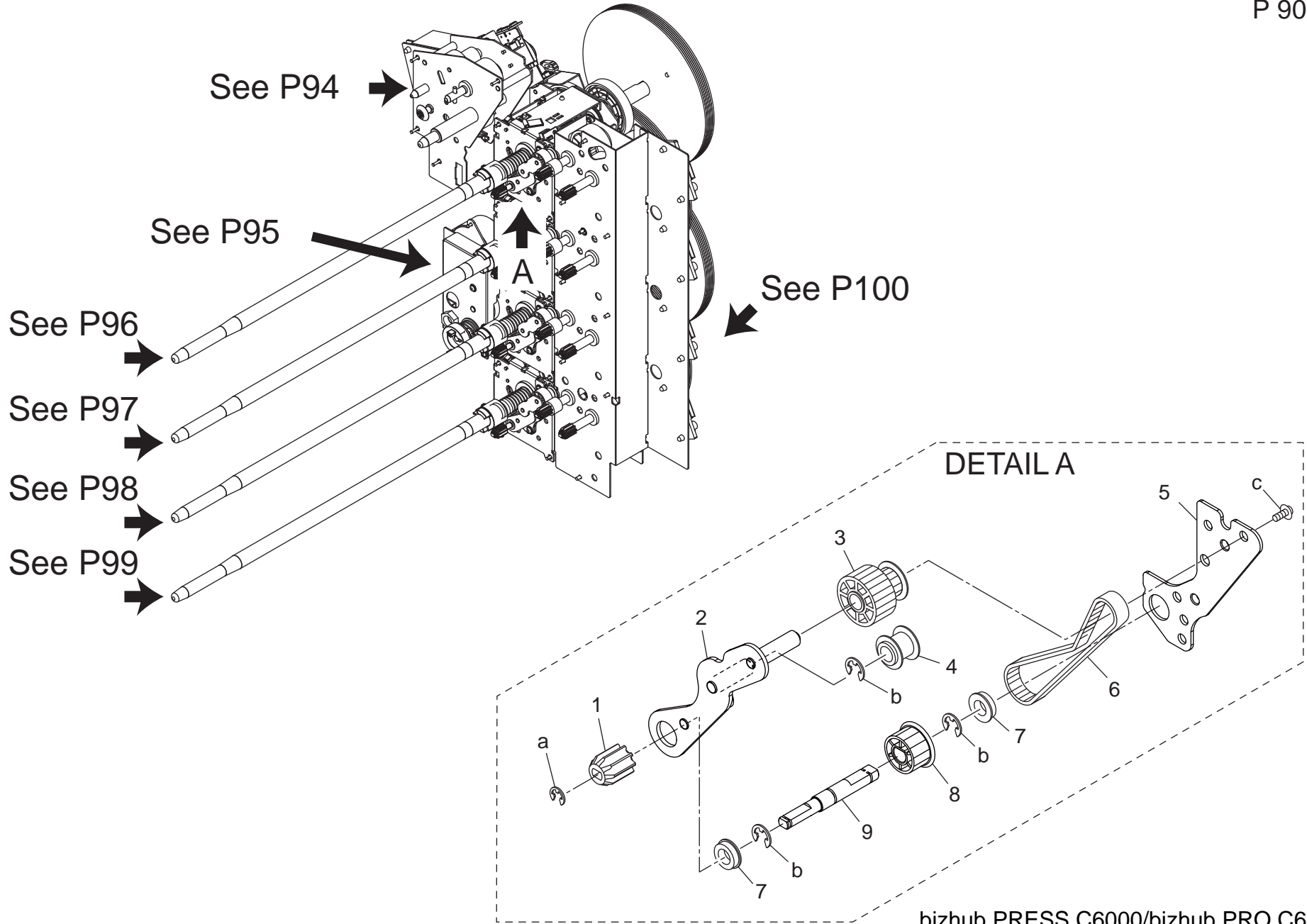
Key	Part No.	Description	Destinations	Class	QTY	Standard parts
1	65AA49280	PAPER EXIT PULLING PART		C	1	a-V121030403 b-V217060050 c-V158030803 d-V121030803 e-V193040404 f-V217040050 g-V118030603
2	65AA49510F	FIXING SCREW /1		C	2	
3	65AA49290	PAPER EXIT ROCKING SPRING		C	1	
4	A03U863900	Protection Cover		D	1	
5	A1DUR72300	Solenoid Assy		C	1	
6	A00J617800	BALL BEARING		B	1	
7	65AA49210	COLLAR 2		C	1	
8	40AA46261	LOCK CLAW F		B	1	
9	A1RF943500	Release Label /5		D	1	
10	65AA49410	PAPER EXIT HANDLE		C	1	
11	56AA17321	PIN A D2X12		B	1	
12	65AA49300E	PAPER EXIT LOCKING SHAFT		D	1	
13	A03U860600	Riverse/exit Shaft		D	1	
14	A03U860700	Collar /3		C	3	
15	65AA49320	PAPER EXIT OPEN SHUT SPRING 3		C	1	
16	40AA46342	LOCK CLAW REAR		B	1	
17	A00J617900	Ball Bearing		B	5	
18	A03U861701	COUPLING /1		C	1	
19	65AA49160E	PAPER EXIT MOUNTING PLATE /REAR		D	1	
20	65AA49200	PAPER EXIT OPEN SHUT SPRING REAR		C	1	
21	65AA49530	COLLOR 4		C	1	
22	A03U860500	Paper Exit Roller /Middle		A	1	
23	A03U864100	Insulating Sheet /3		D	1	
24	65AA49470	PAPER EXIT REINFORCE PLATE 5		D	1	
25	A03U862300	Slide Sheet /1		C	5	
26	A03U862500	Slide Sheet /2		C	1	
27	A03U861200	Guide Plate /4		C	1	
28	65AA49260	PAPER EXIT OPEN SHUT SPRING		C	1	
29	65AA49150	PAPER EXIT MOUNTING PLATE FRO		D	1	
30	14GE45470	Rotation Knob		C	1	
31	A1RF943700	Release Label /7		D	1	

# DUPLEX SECTION : PAPER EXIT GUIDE



DUPLEX SECTION : PAPER EXIT GUIDE

Key	Part No.	Description	Destinations	Class	QTY	Standard parts
1	65AA49520	PAPER EXIT MOUNTING SPACER		C	2	a-V118030803 b-V217060050 c-V158030803 d-V217020050 e-V121030603 f-V217040050
2	A1RF846400	Bushing /A		C	2	
3	A03U861002	SWING PART		C	1	
4	65AA49270	PAPER EXIT OPEN SHUT SPRING 2		C	1	
5	A03U862401	Mounting Plate /3		D	1	
6	A03UM11100	HB Motor /50		B	1	
7	A03UN21800	Motor Relay Wiring /1		D	1	
8	A03UF88100	Mounting Plate /1 Caulking		D	1	
9	A03U863700	Positioning Stay /3		D	1	
10	56AA17551	PIN A		C	1	
11	A03U889800	RIVERSE/EXIT GEAR /2 60T		C	1	
12	A03U862900	Fixing Plate		D	1	
13	A03U863000	Cover		C	1	
14	A00V240600	BALL BEARING		B	1	
15	A03U889700	RIVERSE/EXIT GEAR /3 25T		C	1	
16	56AA17461	PIN A		B	1	
17	A03U863200	Drive Shaft /2		D	1	
18	A00J617900	Ball Bearing		B	1	
19	56AA52700	ADU COUPLING SPACER		C	1	
20	A03U863400	Pressing Spring /Rear		C	1	
21	A03U863100	Coupling /B		C	1	
22	A03U863300	Regulating Shaft		D	1	



bizhub PRESS C6000/bizhub PRO C6000L

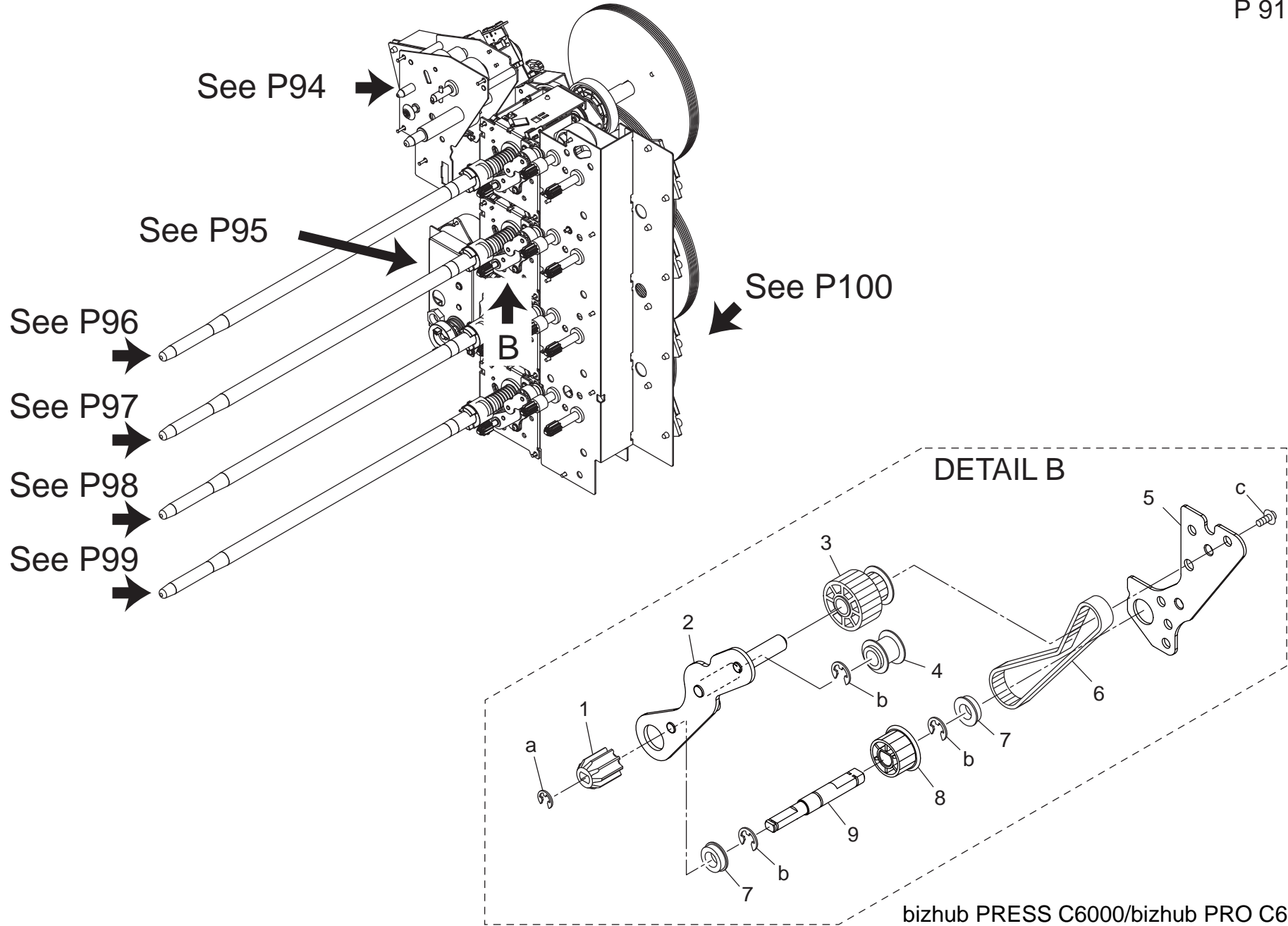
# DRIVE SECTION

Key	Part No.	Description	Destinations	Class	QTY	Standard parts
1	26NA17580	AGITATING COUPLING B		C	1	a-V217030050 b-V217040050 c-V118030603
2	A1DUR73X00	Roller Drive Panel/4 Caulking		D	1	
3	65AA78020	ROLLER DRIVING PULLEY 1 27T/18T		C	1	
4	65AA18070	IDLING PULLEY		C	1	
5	A1DU210100	Drive Panel /1		D	1	
6	65AA18060	ROLLER DRIVING BELT 180L		C	1	
7	A00J617800	BALL BEARING		B	2	
8	A1DU210200	Drive Gear /1 24T		C	1	
9	A1DU210401	Drive Shaft /2		D	1	



DRIVE SECTION

P 91

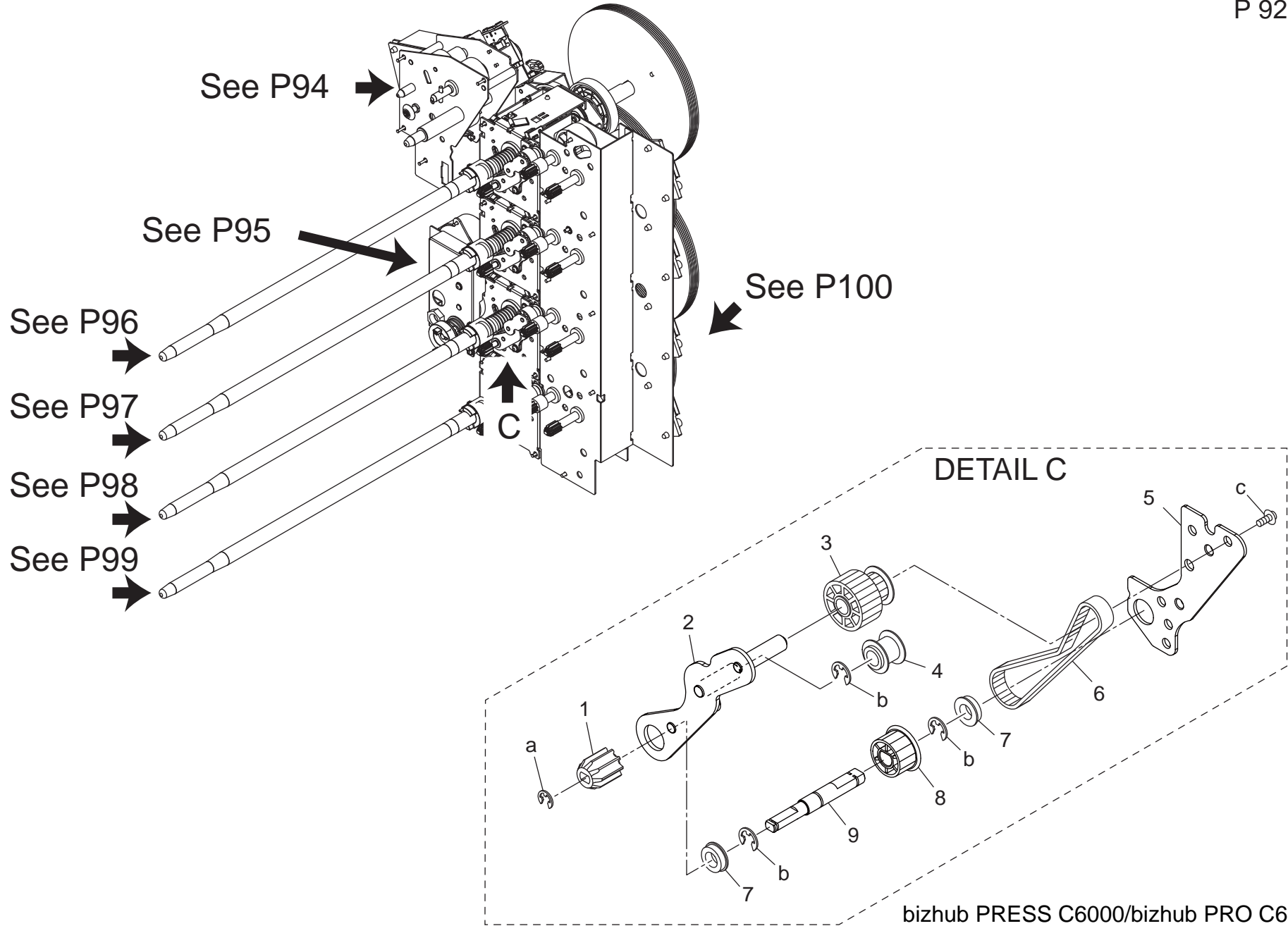


bizhub PRESS C6000/bizhub PRO C6000L

DRIVE SECTION

Key	Part No.	Description	Destinations	Class	QTY	Standard parts
1	26NA17580	AGITATING COUPLING B		C	1	a-V217030050 b-V217040050 c-V118030603
2	A1DUR73X00	Roller Drive Panel/4 Caulking		D	1	
3	65AA78020	ROLLER DRIVING PULLEY 1 27T/18T		C	1	
4	65AA18070	IDLING PULLEY		C	1	
5	A1DU210100	Drive Panel /1		D	1	
6	65AA18060	ROLLER DRIVING BELT 180L		C	1	
7	A00J617800	BALL BEARING		B	2	
8	A1DU210200	Drive Gear /1 24T		C	1	
9	A1DU210401	Drive Shaft /2		D	1	

DRIVE SECTION



bizhub PRESS C6000/bizhub PRO C6000L

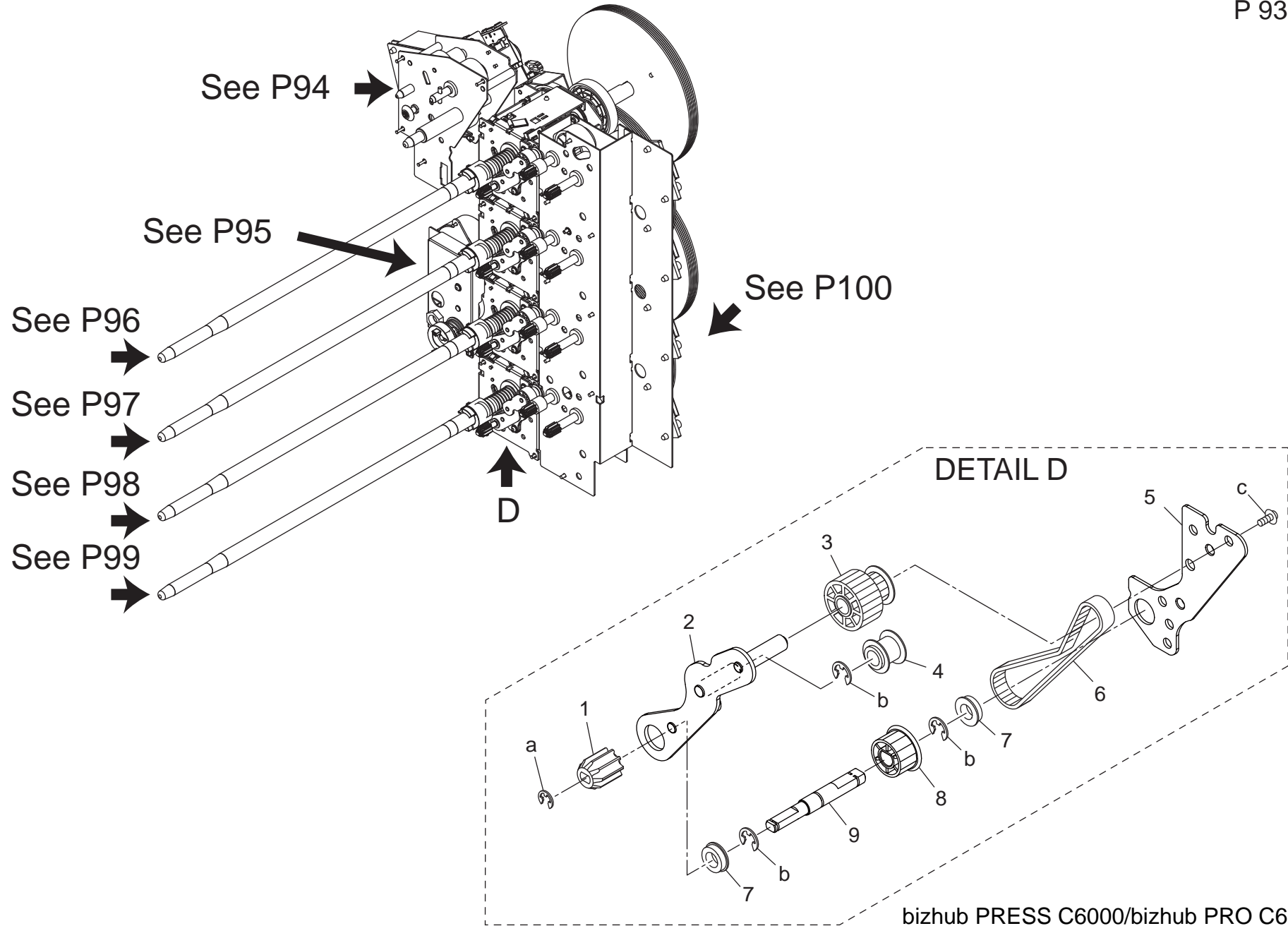
## DRIVE SECTION

Key	Part No.	Description	Destinations	Class	QTY	Standard parts
1	26NA17580	AGITATING COUPLING B		C	1	a-V217030050 b-V217040050 c-V118030603
2	A1DUR73X00	Roller Drive Panel/4 Caulking		D	1	
3	65AA78020	ROLLER DRIVING PULLEY 1 27T/18T		C	1	
4	65AA18070	IDLING PULLEY		C	1	
5	A1DU210100	Drive Panel /1		D	1	
6	65AA18060	ROLLER DRIVING BELT 180L		C	1	
7	A00J617800	BALL BEARING		B	2	
8	A1DU210200	Drive Gear /1 24T		C	1	
9	A1DU210401	Drive Shaft /2		D	1	

bizhub PRESS C6000/bizhub PRO C6000L

# DRIVE SECTION

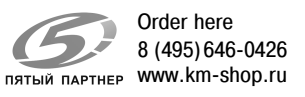
P 93




bizhub PRESS C6000/bizhub PRO C6000L

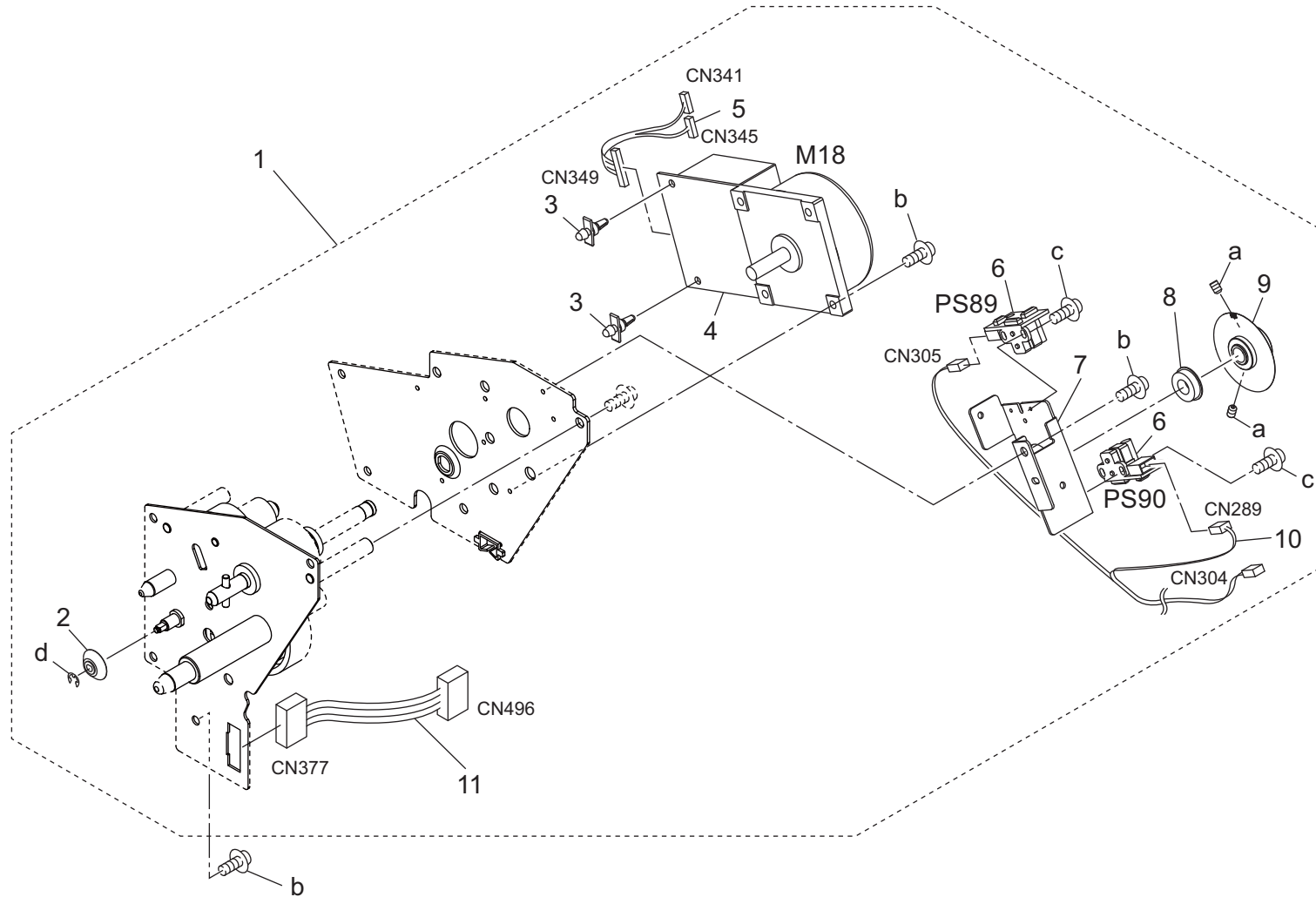
# DRIVE SECTION

Key	Part No.	Description	Destinations	Class	QTY	Standard parts
1	26NA17580	AGITATING COUPLING B		C	1	a-V217030050 b-V217040050 c-V118030603
2	A1DUR73X00	Roller Drive Panel/4 Caulking		D	1	
3	65AA78020	ROLLER DRIVING PULLEY 1 27T/18T		C	1	
4	65AA18070	IDLING PULLEY		C	1	
5	A1DU210100	Drive Panel /1		D	1	
6	65AA18060	ROLLER DRIVING BELT 180L		C	1	
7	A00J617800	BALL BEARING		B	2	
8	A1DU210200	Drive Gear /1 24T		C	1	
9	A1DU210401	Drive Shaft /2		D	1	



# DRIVE SECTION

改訂版 REVISED EDITION	日付 DATE
	OCTOBER 2010

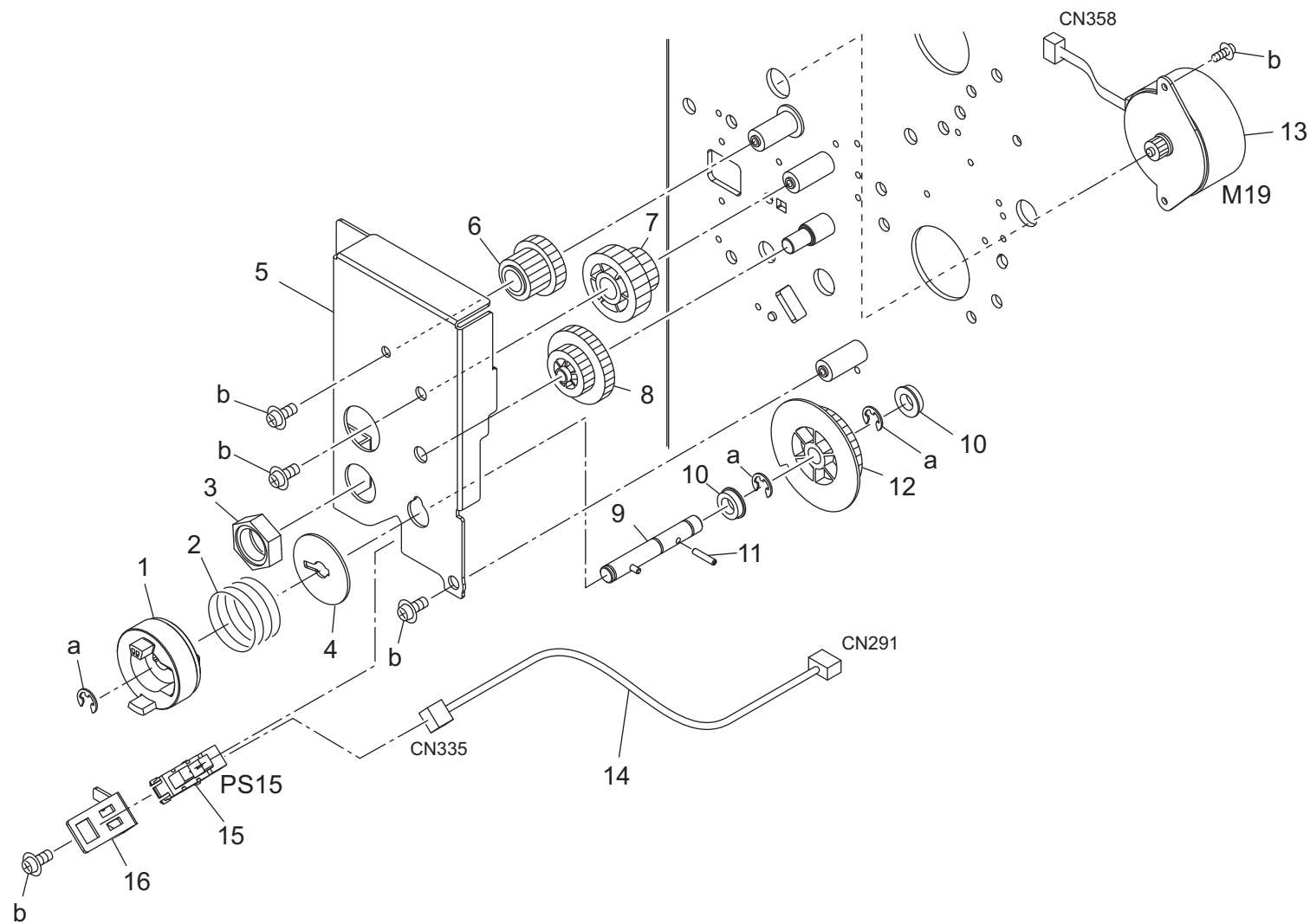


bizhub PRESS C6000/bizhub PRO C6000L

Key	Part No.	Description	Destinations	Class	QTY	Standard parts
1	A1DUR74W00	Belt Drive Motor Unit		I	1	a-V193040604 b-V121030603 c-V118020403 d-V217020050
2	65AA77840	TONER COLLECTING GEAR 2 14T		C	1	
3	V502010014	support		D	2	
4	A1DUM10200	Brushless Motor /20		C	1	
5	A03UN11200	Developing Drive Wiring		D	1	
6	65AA-9091E	Sensor Board Assy		B	2	
7	65AA17200	DRIVE CONTROL PART 5		D	1	
8	A00V240600	BALL BEARING		B	1	
9	A1DUR72H00	Encoder Assy		C	1	
10	65AA91060E	RELAY WIRING /3		D	1	
11	A1DUN17900	Main body Relay harness /6		D	1	



# DRIVE SECTION

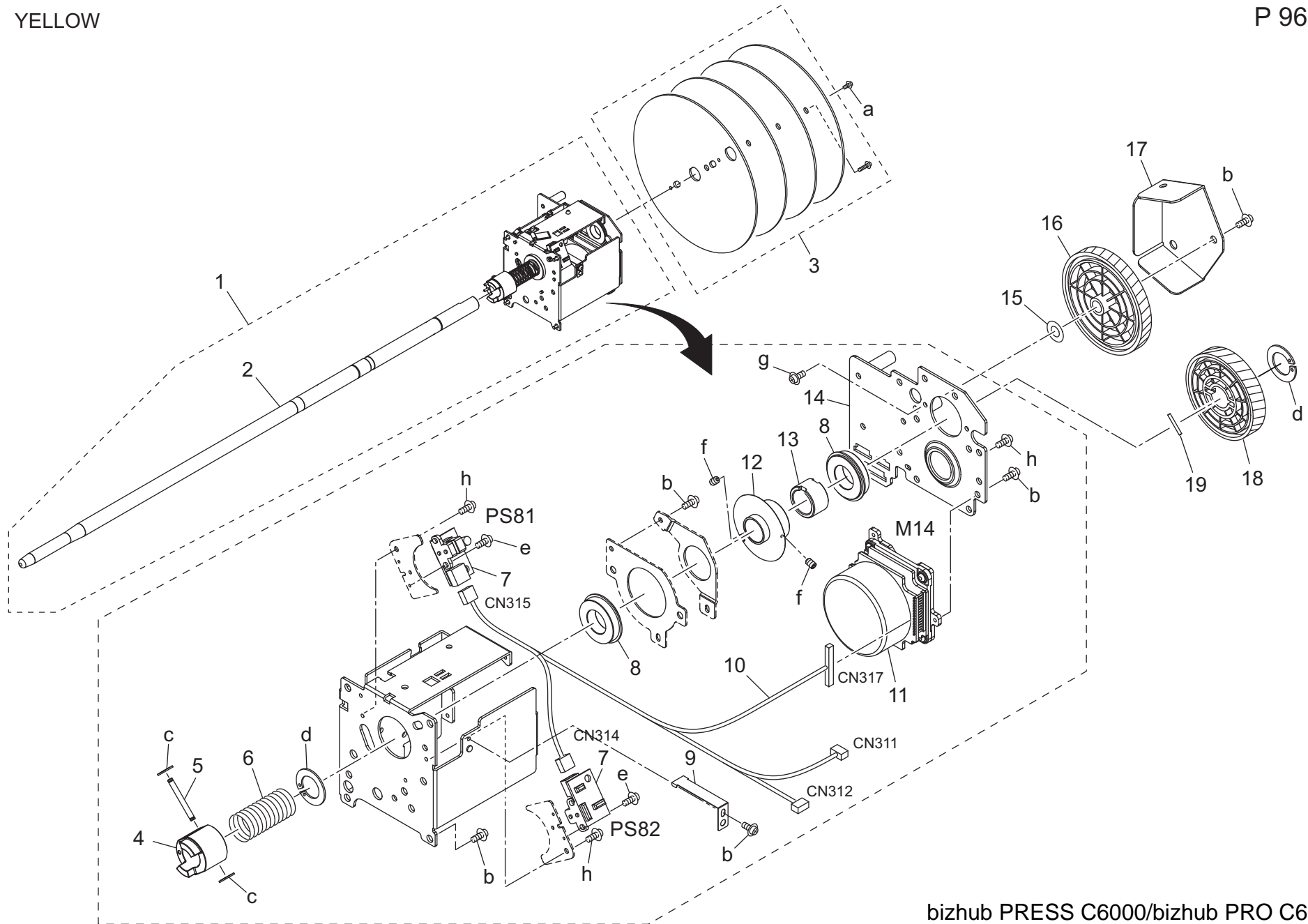


bizhub PRESS C6000/bizhub PRO C6000L

# DRIVE SECTION

Key	Part No.	Description	Destinations	Class	QTY	Standard parts
1	65AA17140	TRANSFER COUPLING		C	1	a-V217040050 b-V121030403
2	65AA17130	PRESSING SPRING		C	1	
3	A03U212101	Fixing Nut		D	1	
4	65AA17180	SPACER		C	1	
5	A03U212201	Drive Panel /4		D	1	
6	65AA77880	TRANSFER CONTROL GEAR 1 35T/17T	転写制御ギア 1 35 T / 17 T	C	1	
7	65AA77890	TRANSFER CONTROL GEAR 2 30T/18T	転写制御ギア 2 30 T / 18 T	C	1	
8	65AA77900	TRANSFER CONTROL GEAR 3 45T/22T	転写制御ギア 3 45 T / 22 T	C	1	
9	A1DUR72500	Transfer Drive Shaft Pin Hit	転写駆動軸ピン打ち	D	1	
10	A00J617800	BALL BEARING	ボールベアリング	B	2	
11	65AA17220D	Transfer Drive Pin /1	転写駆動ピン / 1	D	1	
12	65AA77910	TRANSFER CONTROL GEAR 4 28T	転写制御ギア 4 28 T	C	1	
13	08AA80030	PAPER FEED MOTOR	給紙モーター	B	1	
14	A1DUN18300	Relay harness /2	センサ中継束線 / 2	D	1	
15	08AA85512	Photo Sensor	フォトセンサ	B	1	
16	65AA17100	FIXING PLATE B	センサ固定板 / B	D	1	

DRIVE SECTION  
YELLOW



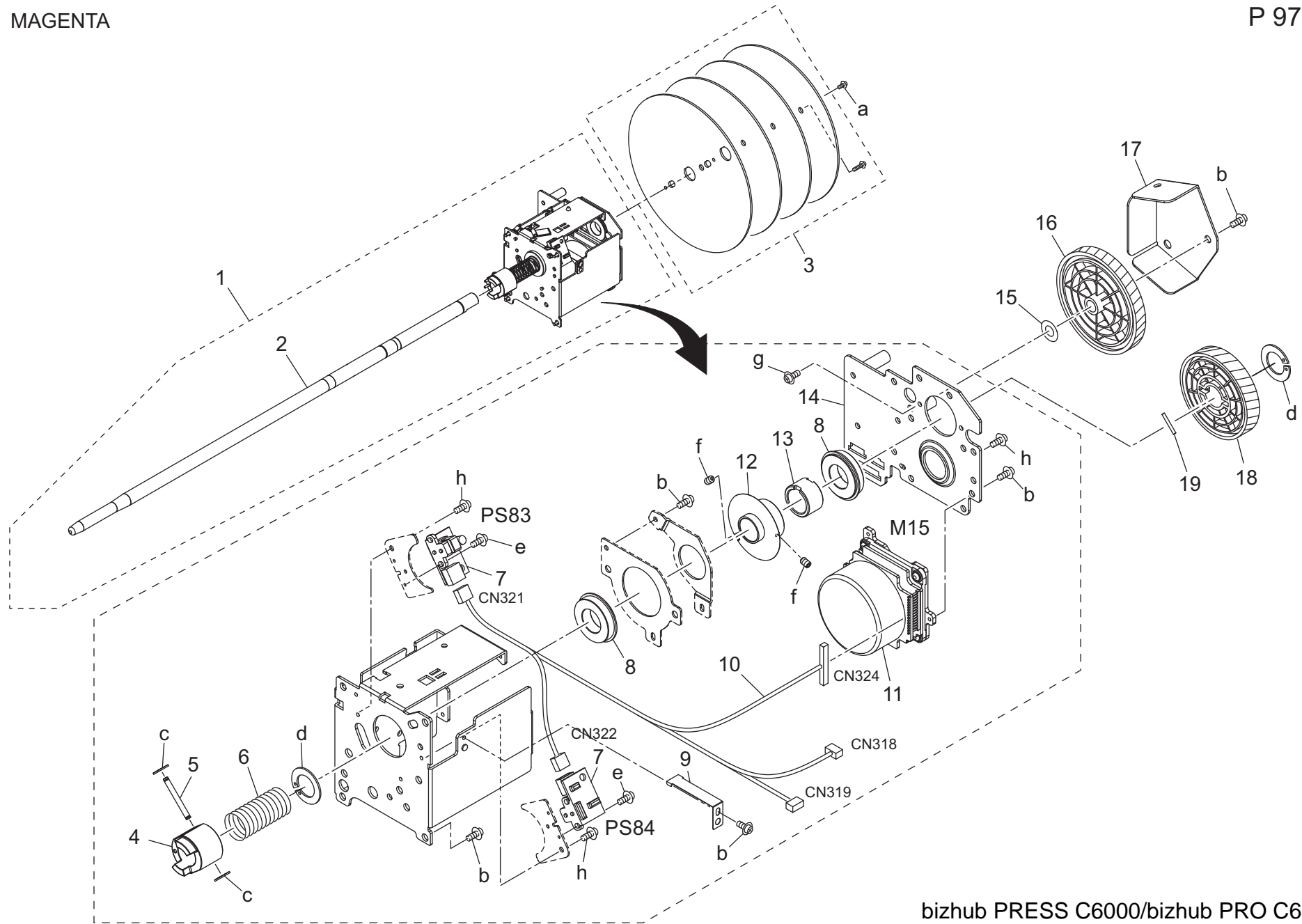
bizhub PRESS C6000/bizhub PRO C6000L

DRIVE SECTION

Key	Part No.	Description	Destinations	Class	QTY	Standard parts
1	A1DUR70J00	Drum Driving/1 Assy		C	1	a-V185041203 b-V121030603 c-V217020050 d-V223150050 e-V118020403 f-V193040604 g-V118040403 h-V116030603
2	65AA15040	Drum Shaft /2		D	1	
3	A1DUR73G00	Flywheel Assy		D	1	
4	A1DUR70M00	Drum Coupring Assy		D	1	
5	65AA15210	COUPLING PIN		D	1	
6	65AA15200	PRESSING SPRING		C	1	
7	65AA-9091E	Sensor Board Assy		B	2	
8	65AA75051	BEARING		C	2	
9	65AA15230	DRUM EARTH SPRING		D	1	
10	A03UN15500	Drum Detection Wiring		D	1	
11	A1DUR70K00	Drum Driving Motor Assy		B	1	
12	A1DUR72G00	Encoder Assy		D	1	
13	65AA15240	EARTH BUSHING		C	1	
14	A03UF21200	Drum Driving Panel /1 Caulking		D	1	
15	13QA40610	Gear Spacer		C	1	
16	A03U259600	Idling Gear 46/132T		C	1	
17	A03U211000	Idling Panel		D	1	
18	A03U259900	DRIVE GEAR 92T		C	1	
19	56AA17490	PIN		C	1	

DRIVE SECTION  
MAGENTA

P 97



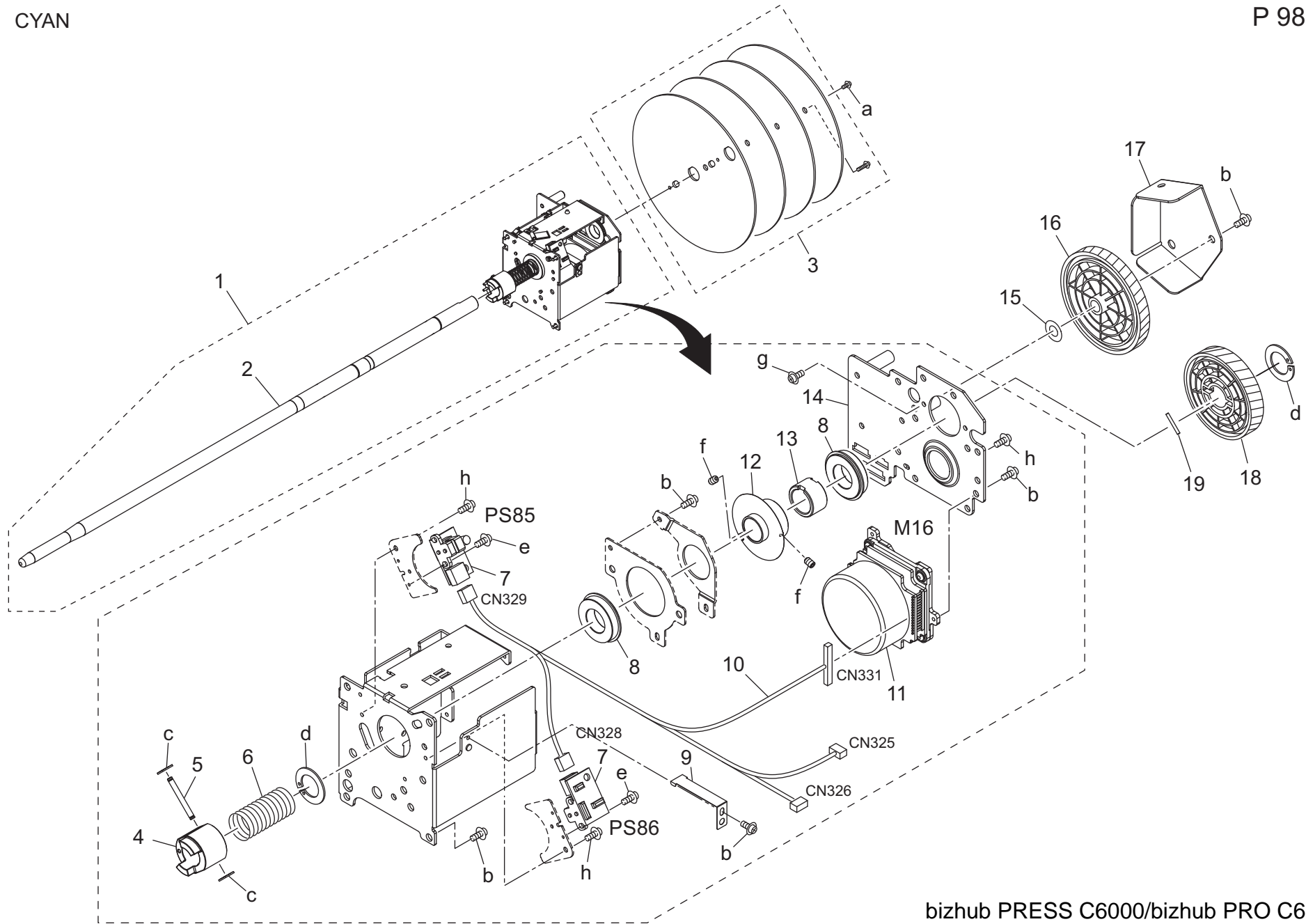
bizhub PRESS C6000/bizhub PRO C6000L

Key	Part No.	Description	Destinations	Class	QTY	Standard parts
1	A1DUR70N00	Drum Driving/2 Unit		C	1	a-V185041203 b-V121030603 c-V217020050 d-V223150050 e-V118020403 f-V193040604 g-V118040403 h-V116030603
2	65AA15030	Drum Shaft /1		D	1	
3	A1DUR73G00	Flywheel Assy		D	1	
4	A1DUR70M00	Drum Coupring Assy		D	1	
5	65AA15210	COUPLING PIN		D	1	
6	65AA15200	PRESSING SPRING		C	1	
7	65AA-9091E	Sensor Board Assy		B	2	
8	65AA75051	BEARING		C	2	
9	65AA15230	DRUM EARTH SPRING		D	1	
10	A03UN15500	Drum Detection Wiring		D	1	
11	A1DUR70K00	Drum Driving Motor Assy		B	1	
12	A1DUR72G00	Encorder Assy		D	1	
13	65AA15240	EARTH BUSHING		C	1	
14	A03UF21200	Drum Driving Panel /1 Caulking		D	1	
15	13QA40610	Gear Spacer		C	1	
16	A03U259600	Idling Gear 46/132T		C	1	
17	A03U211000	Idling Panel		D	1	
18	A03U259900	DRIVE GEAR 92T		C	1	
19	56AA17490	PIN		C	1	

# DRIVE SECTION

CYAN

P 98



bizhub PRESS C6000/bizhub PRO C6000L

## DRIVE SECTION

Key	Part No.	Description	Destinations	Class	QTY	Standard parts
1	A1DUR70J00	Drum Driving/1 Assy		C	1	a-V185041203
2	65AA15040	Drum Shaft /2		D	1	b-V121030603
3	A1DUR73G00	Flywheel Assy		D	1	c-V217020050
4	A1DUR70M00	Drum Coupring Assy		D	1	d-V223150050
5	65AA15210	COUPLING PIN		D	1	e-V118020403
6	65AA15200	PRESSING SPRING		C	1	f-V193040604
7	65AA-9091E	Sensor Board Assy		B	2	g-V118040403
8	65AA75051	BEARING		C	2	h-V116030603
9	65AA15230	DRUM EARTH SPRING		D	1	
10	A03UN15500	Drum Detection Wiring		D	1	
11	A1DUR70K00	Drum Driving Motor Assy		B	1	
12	A1DUR72G00	Encoder Assy		D	1	
13	65AA15240	EARTH BUSHING		C	1	
14	A03UF21200	Drum Driving Panel /1 Caulking		D	1	
15	13QA40610	Gear Spacer		C	1	
16	A03U259600	Idling Gear 46/132T		C	1	
17	A03U211000	Idling Panel		D	1	
18	A03U259900	DRIVE GEAR 92T		C	1	
19	56AA17490	PIN		C	1	

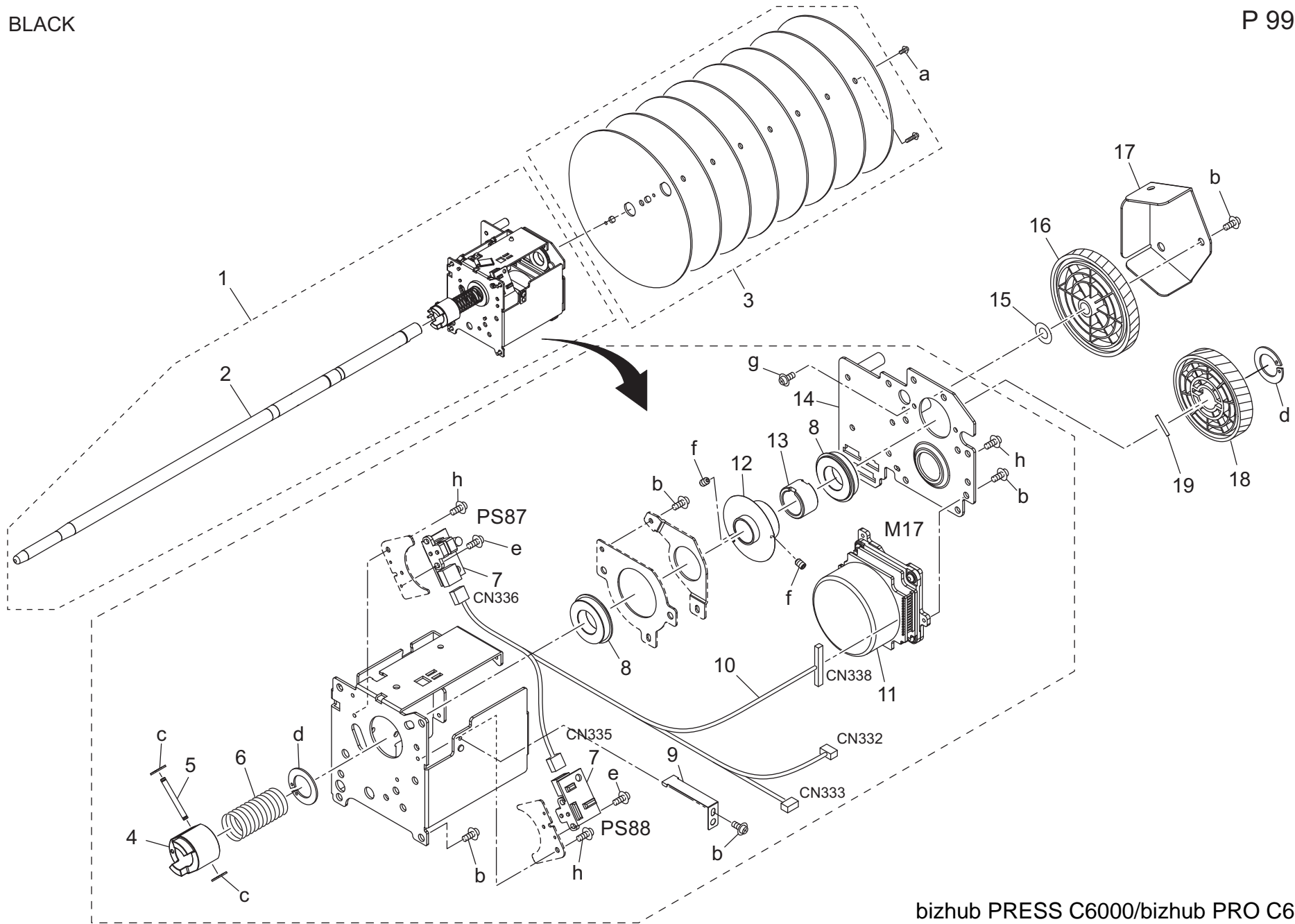
bizhub PRESS C6000/bizhub PRO C6000L



# DRIVE SECTION

BLACK

P 99



bizhub PRESS C6000/bizhub PRO C6000L

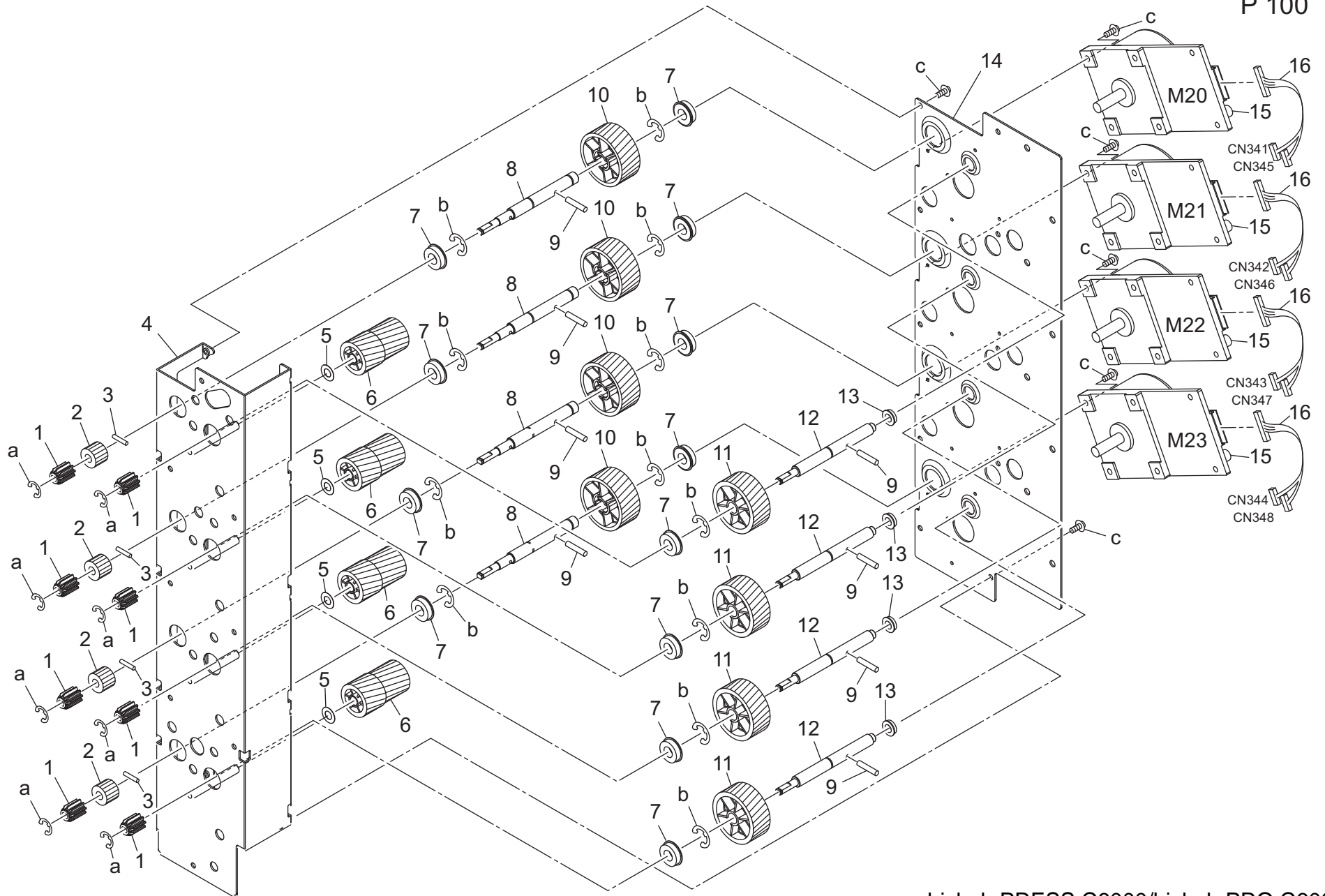
DRIVE SECTION

Key	Part No.	Description	Destinations	Class	QTY	Standard parts
1	A1DUR70N00	Drum Driving/2 Unit		C	1	a-V185041203 b-V121030603 c-V217020050 d-V223150050 e-V118020403 f-V193040604 g-V118040403 h-V116030603
2	65AA15030	Drum Shaft /1		D	1	
3	A1DUR73H00	Flywheel K Assy		D	1	
4	A1DUR70M00	Drum Coupring Assy		D	1	
5	65AA15210	COUPLING PIN		D	1	
6	65AA15200	PRESSING SPRING		C	1	
7	65AA-9091E	Sensor Board Assy		B	2	
8	65AA75051	BEARING		C	2	
9	65AA15230	DRUM EARTH SPRING		D	1	
10	A03UN15500	Drum Detection Wiring		D	1	
11	A1DUR70K00	Drum Driving Motor Assy		B	1	
12	A1DUR72G00	Encorder Assy		D	1	
13	65AA15240	EARTH BUSHING		C	1	
14	A03UF21200	Drum Driving Panel /1 Caulking		D	1	
15	13QA40610	Gear Spacer		C	1	
16	A03U259600	Idling Gear 46/132T		C	1	
17	A03U211000	Idling Panel		D	1	
18	A03U259900	DRIVE GEAR 92T		C	1	
19	56AA17490	PIN		C	1	

bizhub PRESS C6000/bizhub PRO C6000L

# DRIVE SECTION

P 100



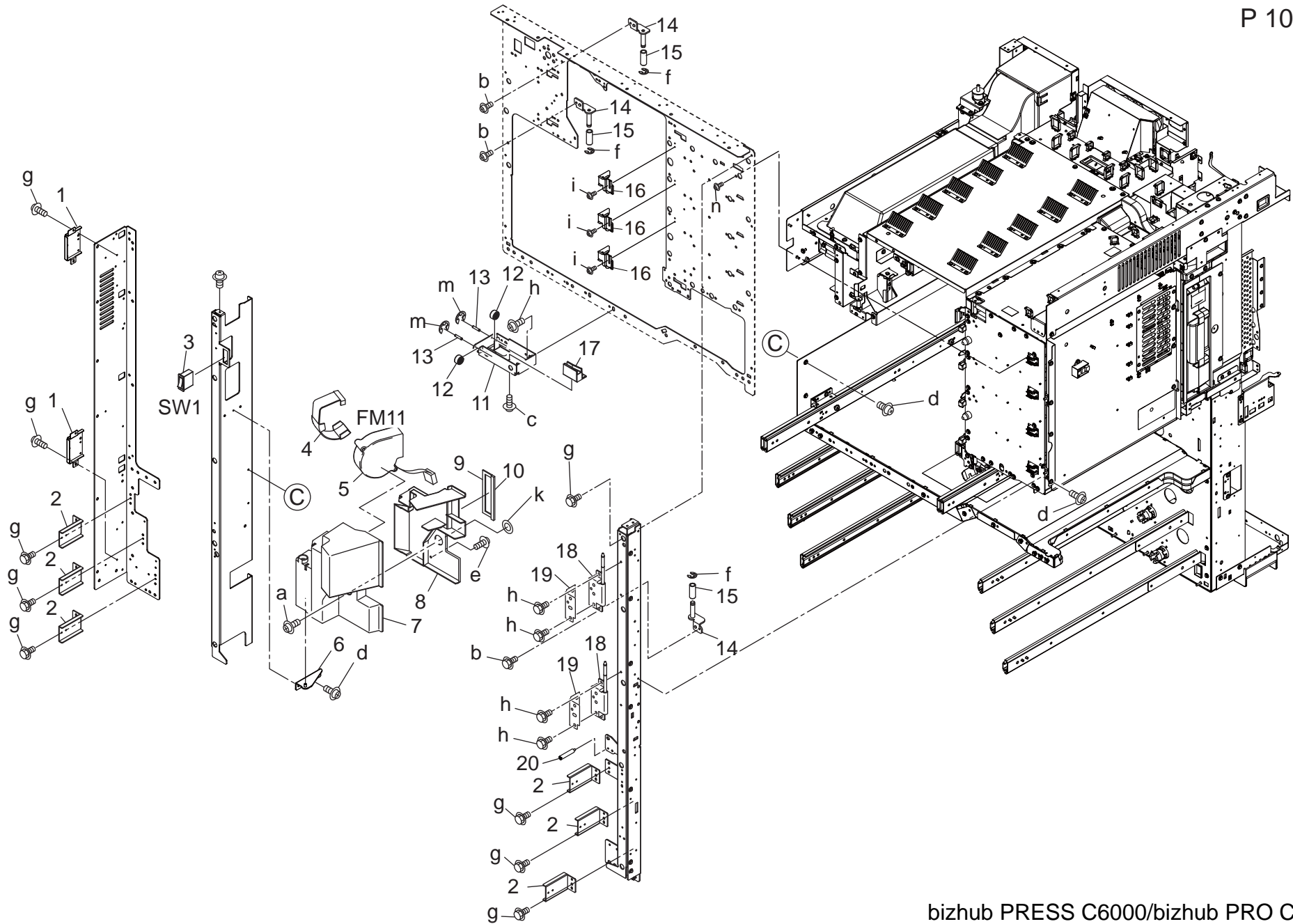
bizhub PRESS C6000/bizhub PRO C6000L

DRIVE SECTION

Key	Part No.	Description	Destinations	Class	QTY	Standard parts
1	65AA16080	DEVELOPING COUPLING		C	8	a-V217030050 b-V217060050 c-V121030603
2	65AA78010	TONER COLLECTING GEAR 6 16T		C	4	
3	454078050	PIN CLEANER A		C	4	
4	A1DUF25000	DEVELOPING DRIVE P/R CAULKING		D	1	
5	25HA30330	DEVELOPING REGULATING SPACER		C	4	
6	A03U229900	Developing Gear /Middle 27/42T		B	4	
7	A00V240600	BALL BEARING		B	12	
8	A03U220300	Developing Driving Shaft /1		D	4	
9	56AA17471	PIN B 3X12		C	8	
10	A1DU229700	Drive Gear 69T		C	4	
11	A1DU229800	Developing Agitating Gear 41T		C	4	
12	A03U220400	Developing Driving Shaft /2		D	4	
13	A00J617800	BALL BEARING		B	4	
14	A1DU229600	Developing Driving Panel /Front		D	1	
15	A0R5M10300	DC Brushless motor /30		B	4	
16	A03UN11200	Developing Drive Wiring		D	4	

# MAIN FRAME

P 101



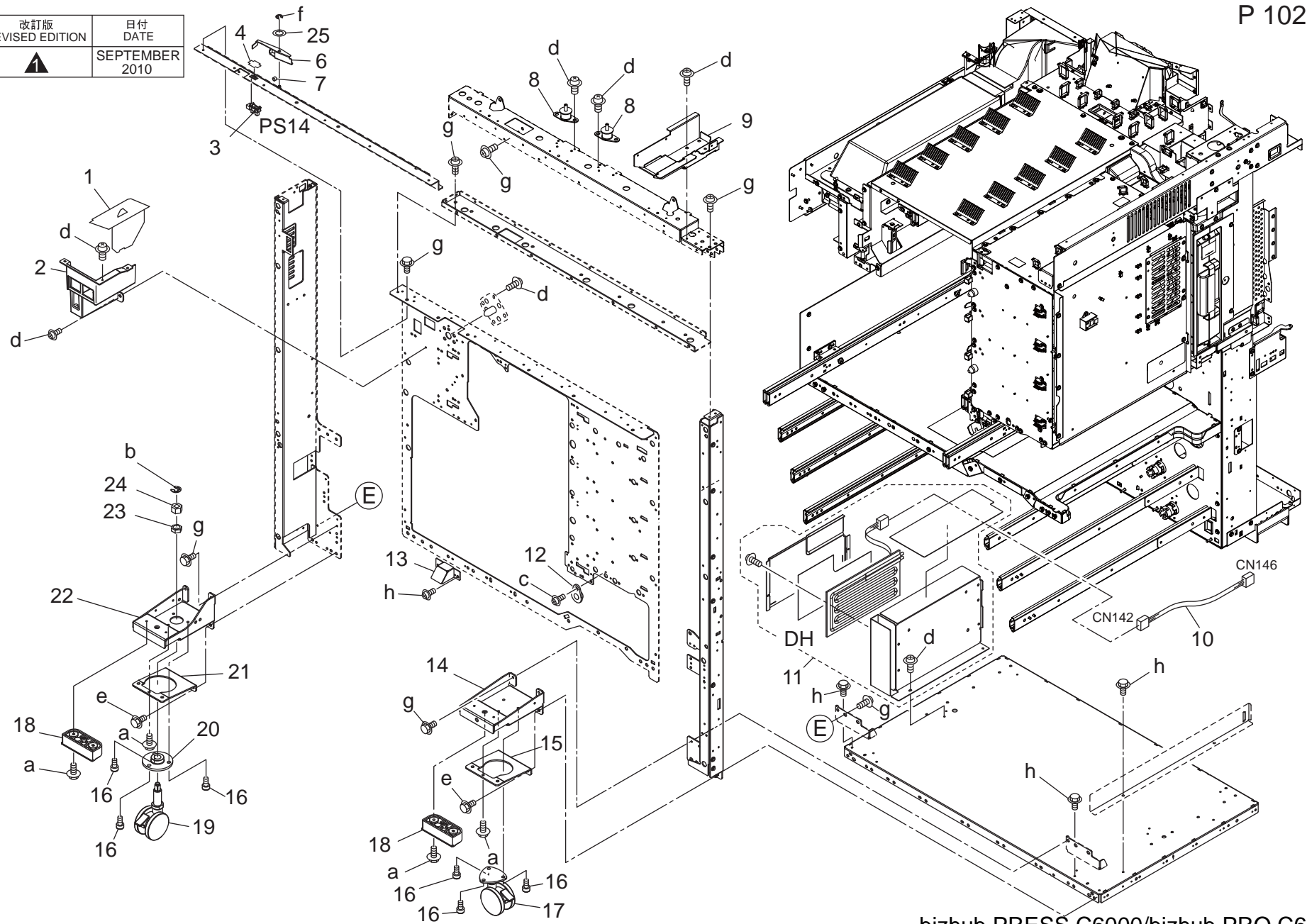
bizhub PRESS C6000/bizhub PRO C6000L

Key	Part No.	Description	Destinations	Class	QTY	Standard parts
1	A1DU111100	Connecting Plate /F		D	2	a-V114041404
2	65AA10660	MOUNTING PLATE 5		D	6	b-V121030403
3	55GA86010	Power Source Switch		B	1	c-V121030603
4	65AA11430	FAN SEALING PART 3		C	1	d-V121040603
5	A03UM15800	Main body Cooling Fan		C	1	e-V158030803
6	A1DUR73S00	Front Fan Caulking Assy		D	1	f-V217040050
7	A03U108800	Front Cover		C	1	g-V140040803
8	65AA11200	CLEANER COOLING DUCT		C	1	h-V140041403
9	65AA11320	DUCT SEALING PART 5		C	1	i-V116030603
10	65AA10900	DUCT SEALING PART 3		C	1	k-V211040080
11	A03U816000	FIXING PLATE /FRONT		D	1	m-V217030050
12	13NG45200	CONVEYANCE DRIVEN ROLLER		C	2	n-V146040804
13	65AA50400	GUIDE SHAFT		D	2	
14	65AA-0750	LOCKING SHAFT CAULKING		C	3	
15	65AA10260	LOCKING ROLLER		D	3	
16	A1DU114000	Fixing Lever /Lower		D	3	
17	65AA50380F	Guide Block		C	1	
18	65AA10710	TONER SUPPLY OPEN SHUT HINGE LOWER		C	2	
19	65AA11440D	Hinge Reinforce Plate		D	2	
20	65AA12320E	Mounting Stay /A		D	1	

# MAIN FRAME

P 102

改訂版 REVISED EDITION	日付 DATE
	SEPTEMBER 2010



bizhub PRESS C6000/bizhub PRO C6000L

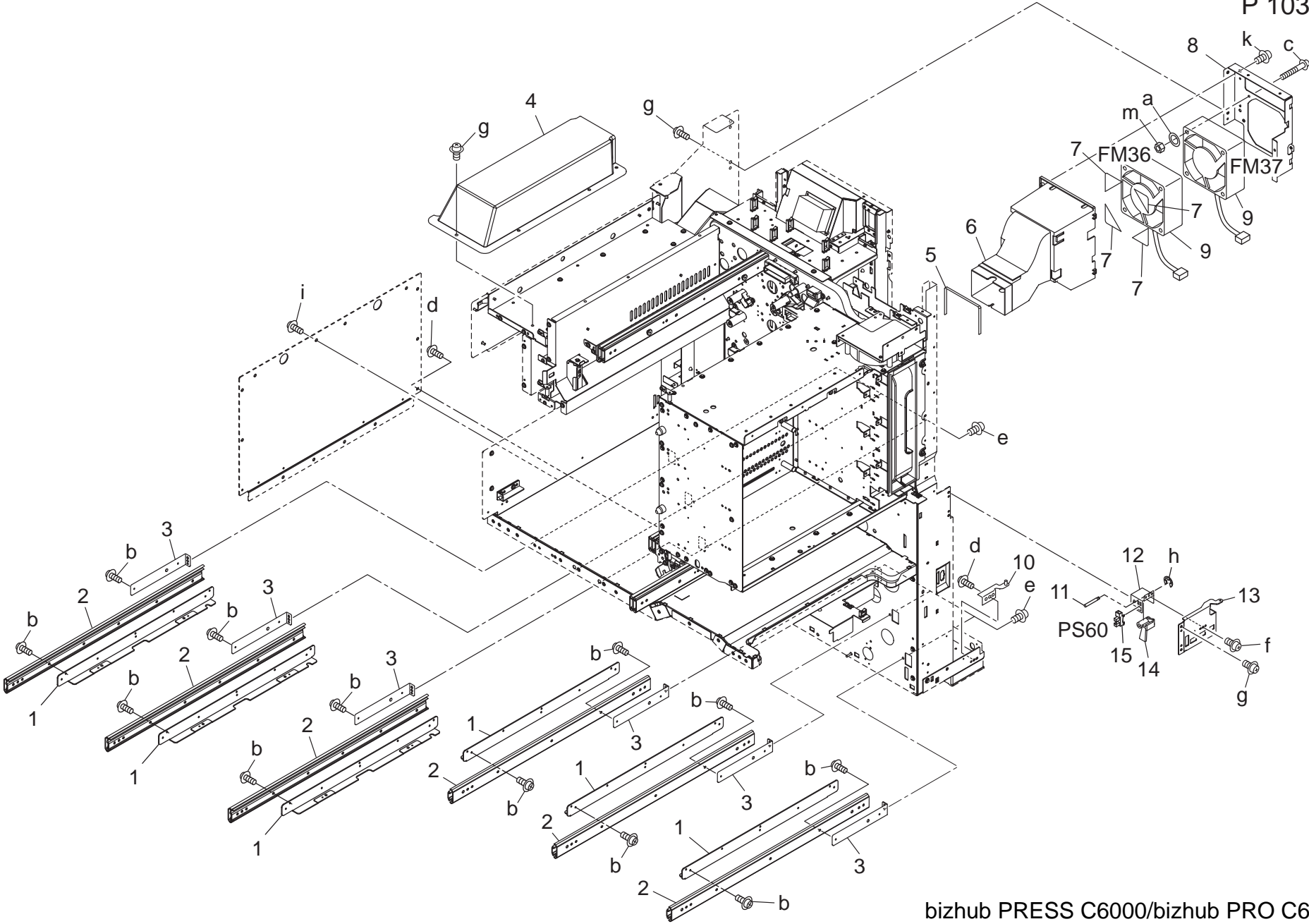
MAIN FRAME

Key	Part No.	Description	Destinations	Class	QTY	Standard parts
1	65AA11500	INSULATING COVER		C	1	a-V141040803
2	A03U166900	Cover /Inside		C	1	b-V217080050
3	9335150021	SOLID STATE SWITCH		B	1	c-V121030603
4	4470402401	STOPPER		D	1	d-V121040603
6	65AA73150	DETECTING PLATE		D	1	e-V140041803
7	65AA73160	DETECTING SPRING		C	1	f-V217040050
8	25SA10200	READ SUPPORT RUBBER		D	2	g-V140040803
9	A1DU115400	Hold Stay /S		D	1	h-V140041403
10	A03UN23600	Heater Relay harness		D	1	
11	A1DUR72400	Internal Heeter Assy		D	1	
12	129X48350	GUIDE SHAFT HOLDER A		C	1	
13	A03U812000	ADU Open/shut Plate /A		D	1	
14	65AA10690	MAIN BODY SUPPORT PART RIGHT		D	1	
15	65AA11630	MAIN BODY REINFORCE PLATE /A		D	1	
16	25SA10431	LOCKING SCREW		C	6	
17	55WA10300	MAIN BODY SUPPORT ROLLER X		C	1	
18	65AA11310	Main Body Lifting Handle		C	2	
19	55WA10310	MAIN BODY SUPPORT ROLLER Y		C	1	
20	56AA17620	CARRIAGE ADJUSTING PART		C	1	
21	65AA11650	MAIN BODY REINFORCE PLATE /B		D	1	
22	65AA10700	MAIN BODY SUPPORT PART LEFT		D	1	
23	56AA17640	ADJUSTING PART 2		C	1	
24	56AA17630	ADJUSTING PART		C	1	
25	65AA33270	SPACER 2		D	1	



# MAIN FRAME

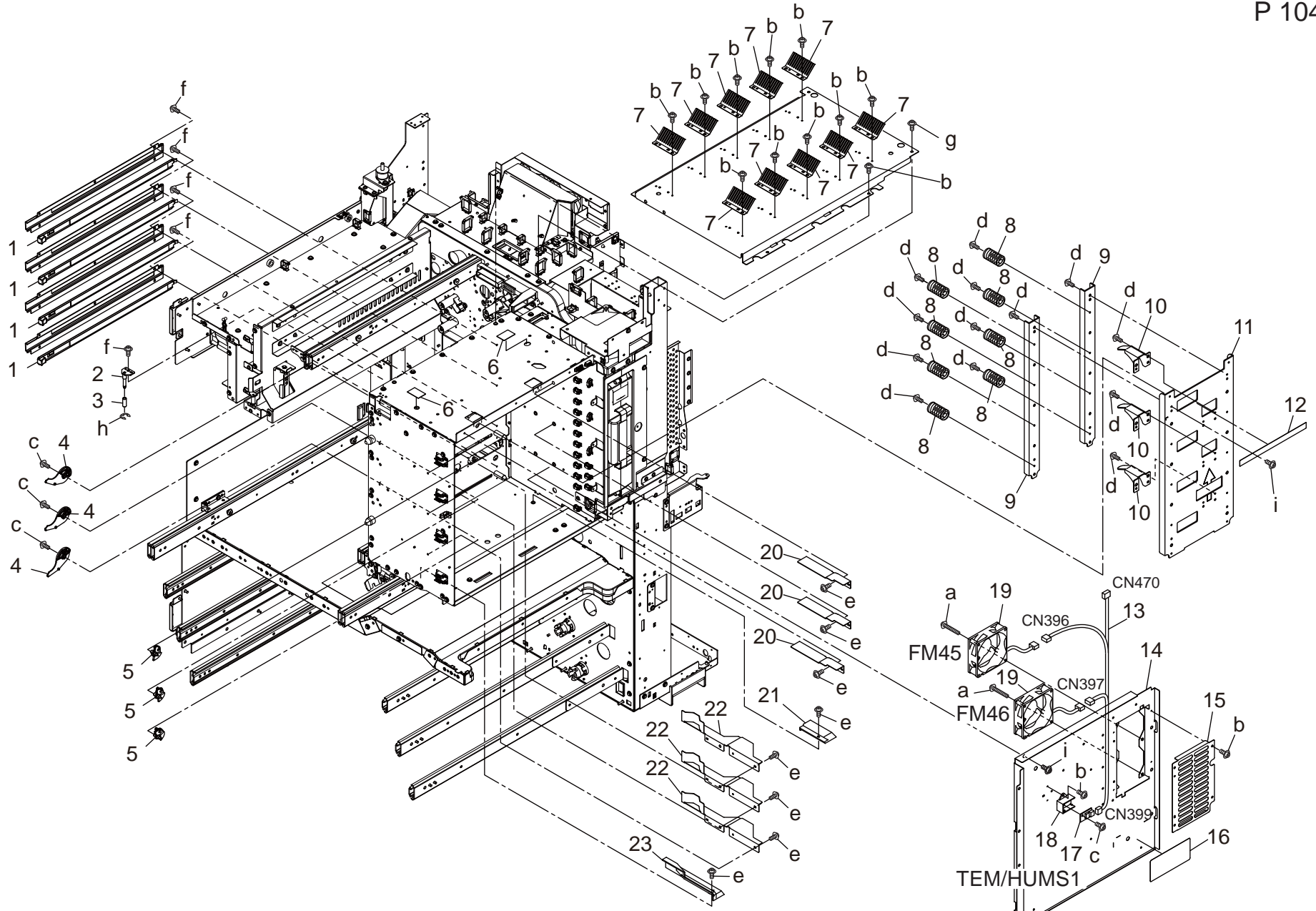
P 103



bizhub PRESS C6000/bizhub PRO C6000L

Key	Part No.	Description	Destinations	Class	QTY	Standard parts
1	65AA47040D	Cassette Support Stay		D	6	a-V205040003 b-V118040403 c-V118041203 d-V140040803 e-V140040603 f-V121030603 g-V121040603 h-V217020050 i-V138030803 k-V158030803 m-V195040003
2	56AA10300	Slide Rail /A		C	6	
3	65AA10470	Mounting Plate /4		D	6	
4	65AA10540E	Fixing duct		D	1	
5	65AA10810	DUCT SEALING PART 1		C	1	
6	65AA10550	Fan Mounting Duct		D	1	
7	65AA11490	FAN SEALING PART 4		D	4	
8	65AA11410	FAN MOUNTING PLATE D		D	1	
9	A03UM15200	Main body Fan motor		B	2	
10	A1DUR73T00	Hinge/A Caulking		D	1	
11	A03U360100	Collection Shaft		D	1	
12	65AA24371E	Door Detecting Part /1		C	1	
13	A03UF36700	Toner Collecting Hinge Plate		D	1	
14	65AA24380	DOOR DETECTING PART 2		C	1	
15	08AA85512	Photo Sensor		B	1	

# MAIN FRAME




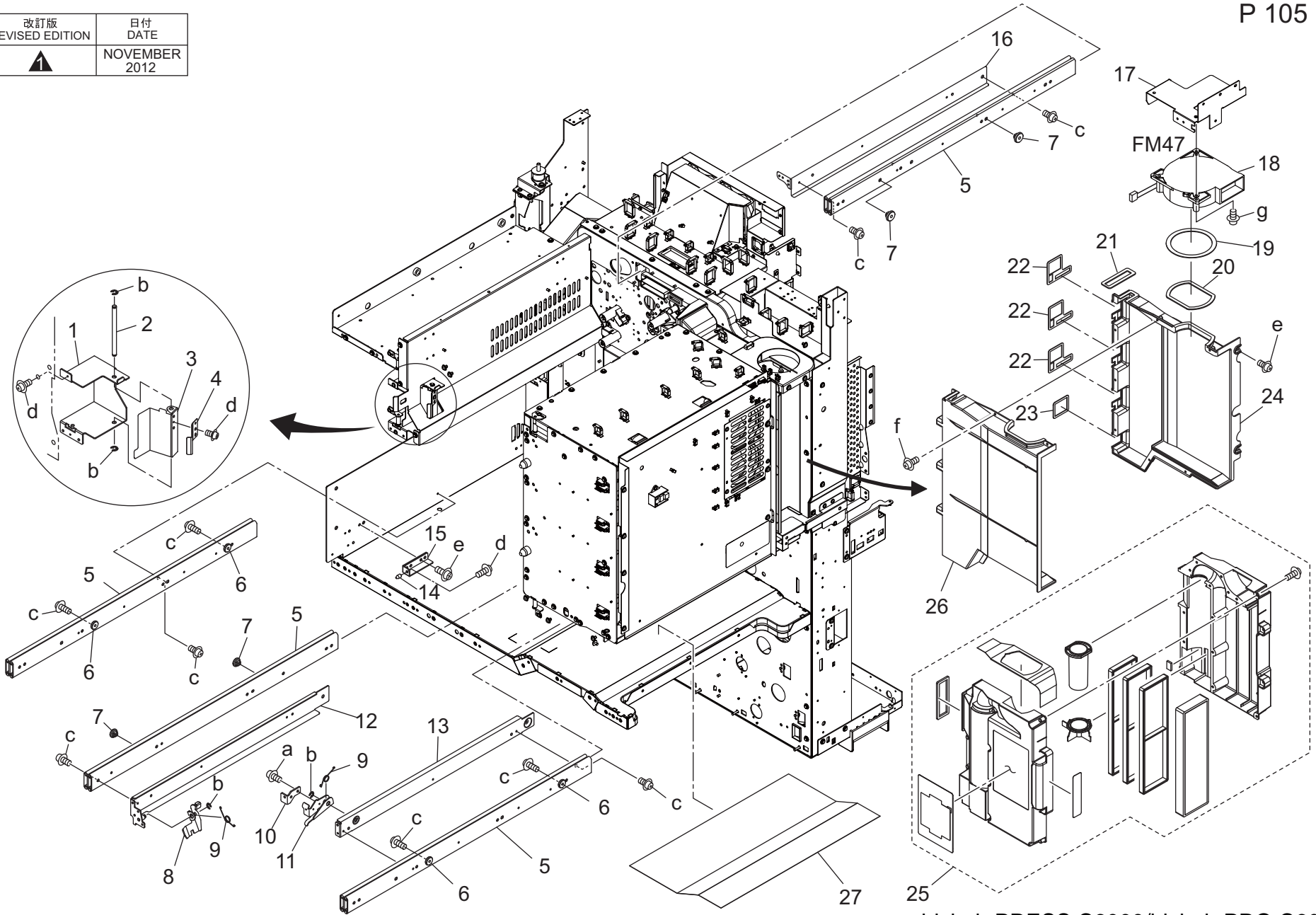
TEM/HUMS1  
bizhub PRESS C6000/bizhub PRO C6000L

Key	Part No.	Description	Destinations	Class	QTY	Standard parts
1	A1DUR73F00	Glass Case Assy		C	4	a-V118043003
2	A1DUR73W00	Rock Shaft /2 Caulking		D	1	b-V121030603
3	65AA10260	LOCKING ROLLER		D	1	c-V158030803
4	A1DU107600	Writing Lever		D	3	d-V127040603
5	A03U107500	Write Adjusting Cam		C	3	e-V127030603
6	25SA66420	WRITE LIGHT SHIELD SHEET		C	2	f-V121030403
7	A02E262300	Plate spring		D	10	g-V140040803
8	A1DU118200	Holding Spring /1		D	8	h-V217040050
9	A1DU110000	Reinforce Stay		D	2	i-V121040603
10	A1DU101000	Support Pedestal /P		D	3	
11	A1DU109301	Support Plate /P		D	1	
12	A1RF942600	Caution Label /6		D	1	
13	A1DUN14000	Main body Relay harness /1		D	1	
14	A1DU107301	Mounting Plate /Right		D	1	
15	A1DU125000	Protection Cover		D	1	
16	56UA97300	Laser Caution Label /1		C	1	
17	A02EM50500	Humidity sensor		C	1	
18	65AA11300	SUPPORT PART		D	1	
19	9J03M10000	FAN MOTOR		B	2	
20	A1DU108300	Writing Rail /Rear		D	3	
21	A1DU111000	Support Guide /Black		D	1	
22	A1DU107800	Mounting Rail /Front		D	3	
23	A1DU110900	Writing Guide /Black		D	1	

# MAIN FRAME

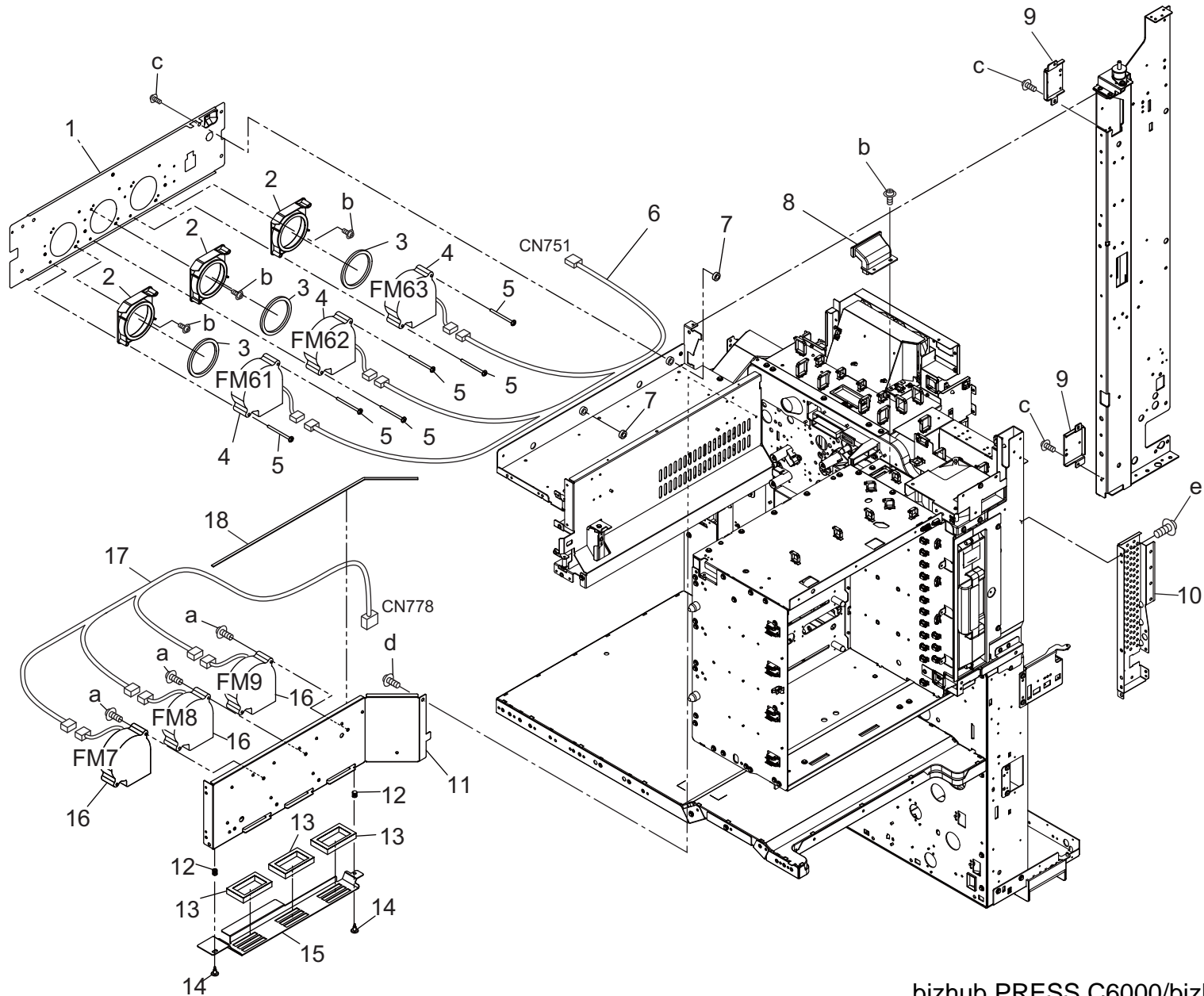
P 105

改訂版 REVISED EDITION	日付 DATE
	NOVEMBER 2012



bizhub PRESS C6000/bizhub PRO C6000L

Key	Part No.	Description	Destinations	Class	QTY	Standard parts
1	65AA10940D	Support Plate		D	1	a-V118030403 b-V217040050 c-V118040604 d-V121030603 e-V121040603 f-V151031003 g-V126041003
2	65AA10960	PRESSING SHAFT		D	1	
3	65AA10950D	Pressing Plate		D	1	
4	65AA10970	PRESSING SPRING		D	1	
5	65AA50460	CARRIGE SLIDE RAIL		C	4	
6	A1DU106800	Mounting Part /2		C	4	
7	A1DU105300	Mounting Part /1		D	4	
8	65AA10480	Locking Lever /2		C	1	
9	65AA10840	CARRIAGE LOCKING SPRING		C	2	
10	65AA11590	LEVER REINFORCE PLATE		D	1	
11	65AA10230D	LOCKING LEVER /1		C	1	
12	65AAR70600	LEVER ROTARY SHAFT CAULKING		D	1	
13	A1DUR73V00	Main Body Stay/2 Caulking		D	1	
14	65AA50440D	Carrige Guide Pin /Left		C	1	
15	65AA50430	SHAFT MOUNTING PLATE LEFT		D	1	
16	65AA10200D	Mounting Plate /1		D	1	
17	A1DU111900	Mounting Plate /B		D	1	
18	A0Y5M15100	Suction Fan motor		C	1	
19	65AA10190	FAN SEALING PART 1		C	1	
20	65AA11170	DUCT SEALING PART 4		C	1	
21	A03U106300	duct Seal /H		C	1	
22	A03U106400	duct Seal /G		C	3	
23	65AA10640	OZONE SEAL 3		C	1	
24	A1DU104100	Connecting Duct /2		D	1	
25	A1DUR70300	Filter Exchanging Assy		A	1	
26	A1DU104000	Ozone Duct /1		D	1	
27	A03U817700	Guide Plate /P		D	1	



bizhub PRESS C6000/bizhub PRO C6000L

# MAIN FRAME

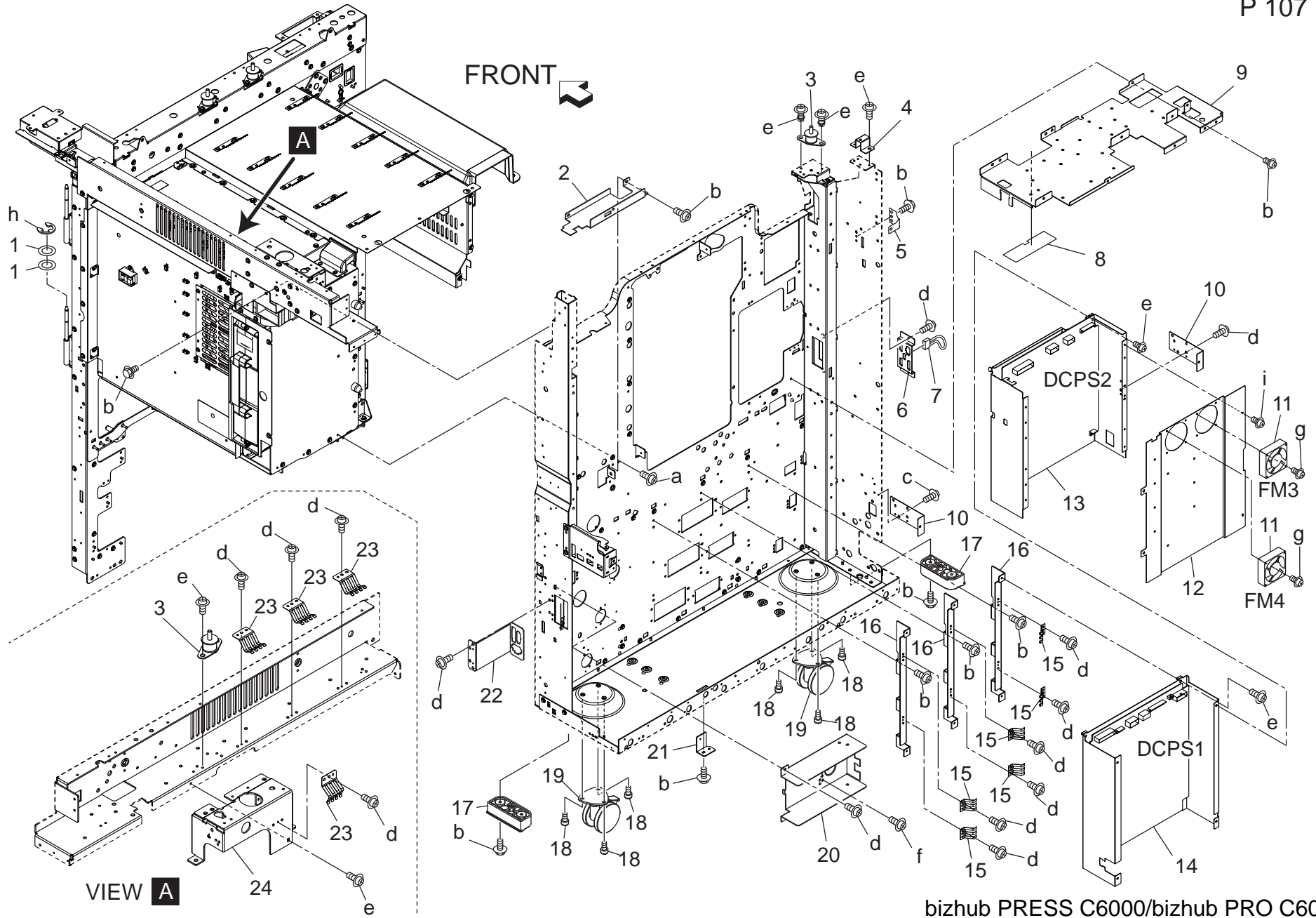
Key	Part No.	Description	Destinations	Class	QTY	Standard parts
1	A1DU108500	Side plate /Left		D	1	a-V121043503 b-V121030603 c-V140040803 d-V140040603 e-V121040603
2	65LA48550	Fan Duct		D	3	
3	65LA48560	DUCT SEAL /3		D	3	
4	A03UM15800	Main body Cooling Fan		C	3	
5	65LA48570	MOUNTING SCREW		D	6	
6	A03UN22400	Paper exit Cooling Wiring		D	1	
7	55VA12470	SCREW PROTECT CUSHION		D	2	
8	A1DUR70200	Connecting Duct / Y Assy		D	1	
9	A1DU111100	Connecting Plate /F		D	2	
10	A1DU112802	Wiring Panel		D	1	
11	A1DU110301	Mounting Plate		D	1	
12	A1DU764000	Spring		D	2	
13	A1DU109100	Cushion		D	3	
14	4038351102	SHOULDER SCREW		C	2	
15	A1DU109200	Shutter		D	1	
16	A1DUM15100	Fan motor		C	3	
17	A1DUN19801	Main body Relay harness /5		D	1	
18	65AA10820	DUCT SEALING PART /2		D	1	

bizhub PRESS C6000/bizhub PRO C6000L



# MAIN FRAME

P 107

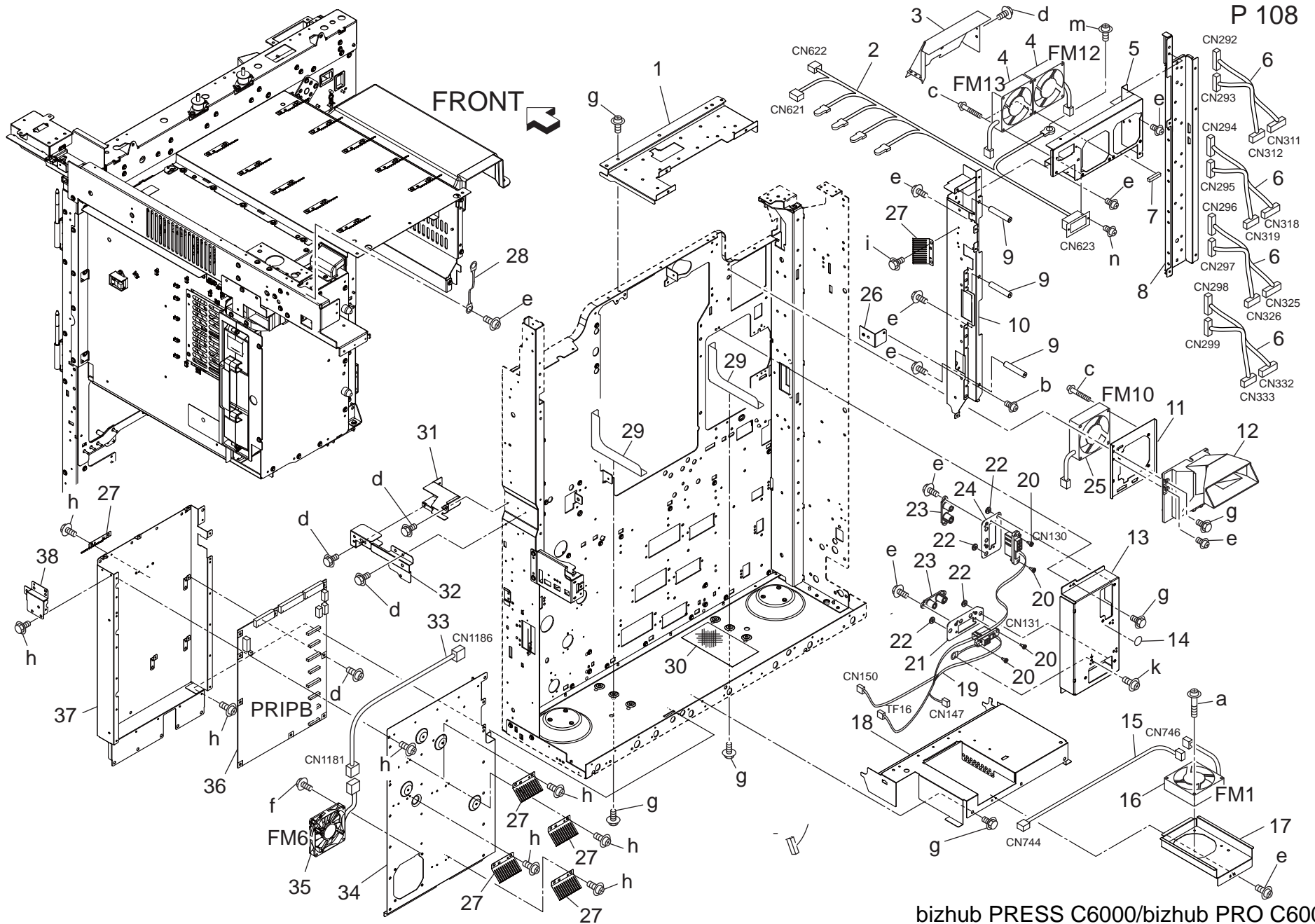


bizhub PRESS C6000/bizhub PRO C6000L

# MAIN FRAME

Key	Part No.	Description	Destinations	Class	QTY	Standard parts
1	65AA33270	SPACER 2		D	2	a-V146040804
2	65AA11050D	Base plate Support Stay /2		D	1	b-V140040803
3	25SA10200	READ SUPPORT RUBBER		D	2	c-V127030603
4	A1DU169100	Mounting Plate		D	1	d-V121030603
5	56AA10101	EXTERNAL SUPPORT PLATE1		D	1	e-V121040603
6	A1DU118500	Power Supply Panel /F		D	1	f-V116040603
7	A1DUN19900	Interface Wiring /1		D	1	g-V118033003
8	A1DU115800	Protection Seal /1		D	1	h-V217040050
9	65AA10580F	Base plate Support Stay		D	1	i-V121030403
10	A1DU169000	Mounting Plate		D	2	
11	4040M10000	FAN MOTOR		C	2	
12	A1DU130301	Cover		D	1	
13	A1DUM40201	DC Power source /2		I	1	
14	A1DUM40101	DC Power source /1		I	1	
15	65AA11140	EARTH PLATE		D	6	
16	A03U108900	Base plate Support Plate		D	3	
17	65AA11530	MAIN BODY LIFTING HANDLE 2		C	2	
18	25SA10431	LOCKING SCREW		C	6	
19	55WA10300	MAIN BODY SUPPORT ROLLER X		C	2	
20	A03U118401	Wiring Protection Plate /P		D	1	
21	A1DU112700	Mounting Plate /Lower		D	1	
22	A03U118300	PFU Power supply Panel		D	1	
23	A03U118100	Ground Plate /A		D	4	
24	A03U117800	Support Plate /A		D	1	

# MAIN FRAME



P 108

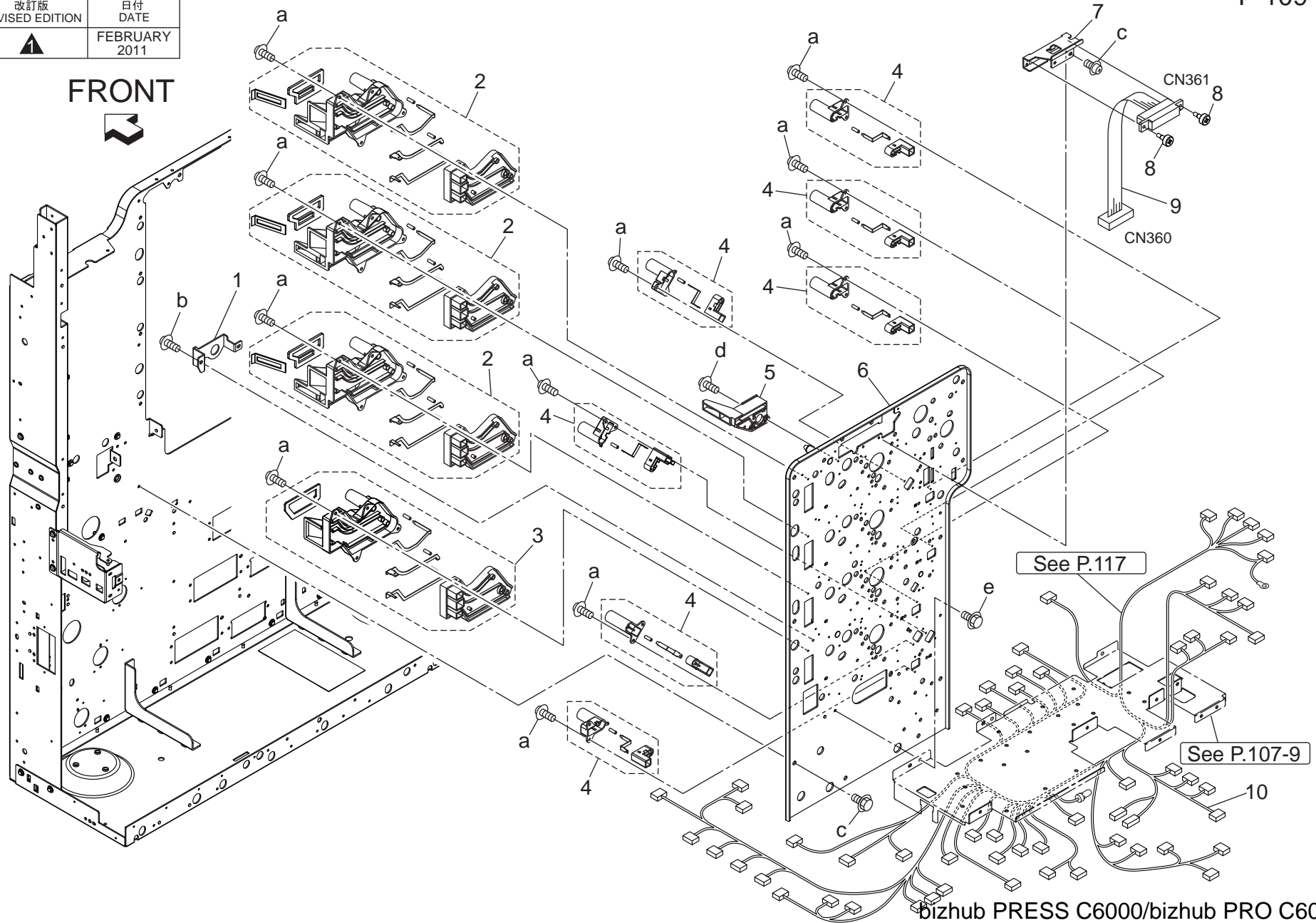
bizhub PRESS C6000/bizhub PRO C6000L

Key	Part No.	Description	Destinations	Class	QTY	Standard parts
1	65AA10180E	Wiring Guide Plate /1		D	1	a-V118033003
2	A1RHN10400	ADF Relay harness		D	1	b-V118040603
3	65AA11390	MOTOR COOLING DUCT		D	1	c-V118043003
4	9J03M10000	FAN MOTOR		B	2	d-V121030603
5	A1DU111801	Mounting Plate /A		D	1	e-V121040603
6	A03UN18000	Drum Relay Wiring		D	4	f-V121031803
7	65AA61580	READ EARTH PART		D	1	g-V140040803
8	A03U105702	Wiring Guide Plate /2		D	1	h-V121030403
9	A1DU115500	Mounting Screw		D	3	i-V127030603
10	A1DU105901	Guide Plate /3		D	1	k-V116040603
11	A1DU110800	Mounting Plate /Rear		D	1	m-V116030803
12	65AA11020	FIXING CONNECTING DUCT		D	1	n-V121030604
13	A03U102803	Fixing Cover /Rear		D	1	
14	9J06730201	LABEL		D	1	
15	A1DUN19600	Main body Relay harness /2		D	1	
16	A0EDM10500	Fan motor		C	1	
17	A1DU112200	Mounting Plate /F		D	1	
18	A1DU105600	Hold Plate /F		D	1	
19	A1DUN11802	AC Drive harness		D	1	
20	A03U119200	Fixing Screw		C	4	
21	A03U118900	Idler Plate /Lower		D	1	
22	A03U119100	Guide Screw		C	4	
23	A03U119000	Positioning Sleeve		C	2	
24	A03U118800	Idler Plate /Upper		D	1	
25	13NT80511	FAN MOTOR 1		C	1	
26	A1DU115700	Mounting Plate /5		D	1	
27	A02E262300	Plate spring		D	6	
28	55VA90840	MAIN EARTH WIRE		D	1	
29	56AA61470D	Read Reinforce Plate		D	2	
30	65AA11350	DUST PROOF FILTER 4		D	1	
31	A03U135000	WIRING GUIDE PLATE /1		D	1	
32	A1DU135700	Sealing Plate		D	1	
33	A1DUN29200	ImageProcessing Relay harness /2		D	1	
34	A1DU131700	Cover /Lower		D	1	
35	A1RFM15100	Fan motor /1		C	1	
36	A1DUH06011	Image Processing Board /P Assy		I	1	
37	A1DU131401	Mounting Plate /ASSY		D	1	
38	A1DU135600	Cover /Right		D	1	

# MAIN FRAME

改訂版 REVISED EDITION	日付 DATE
▲	FEBRUARY 2011

FRONT



bizhub PRESS C6000/bizhub PRO C6000L

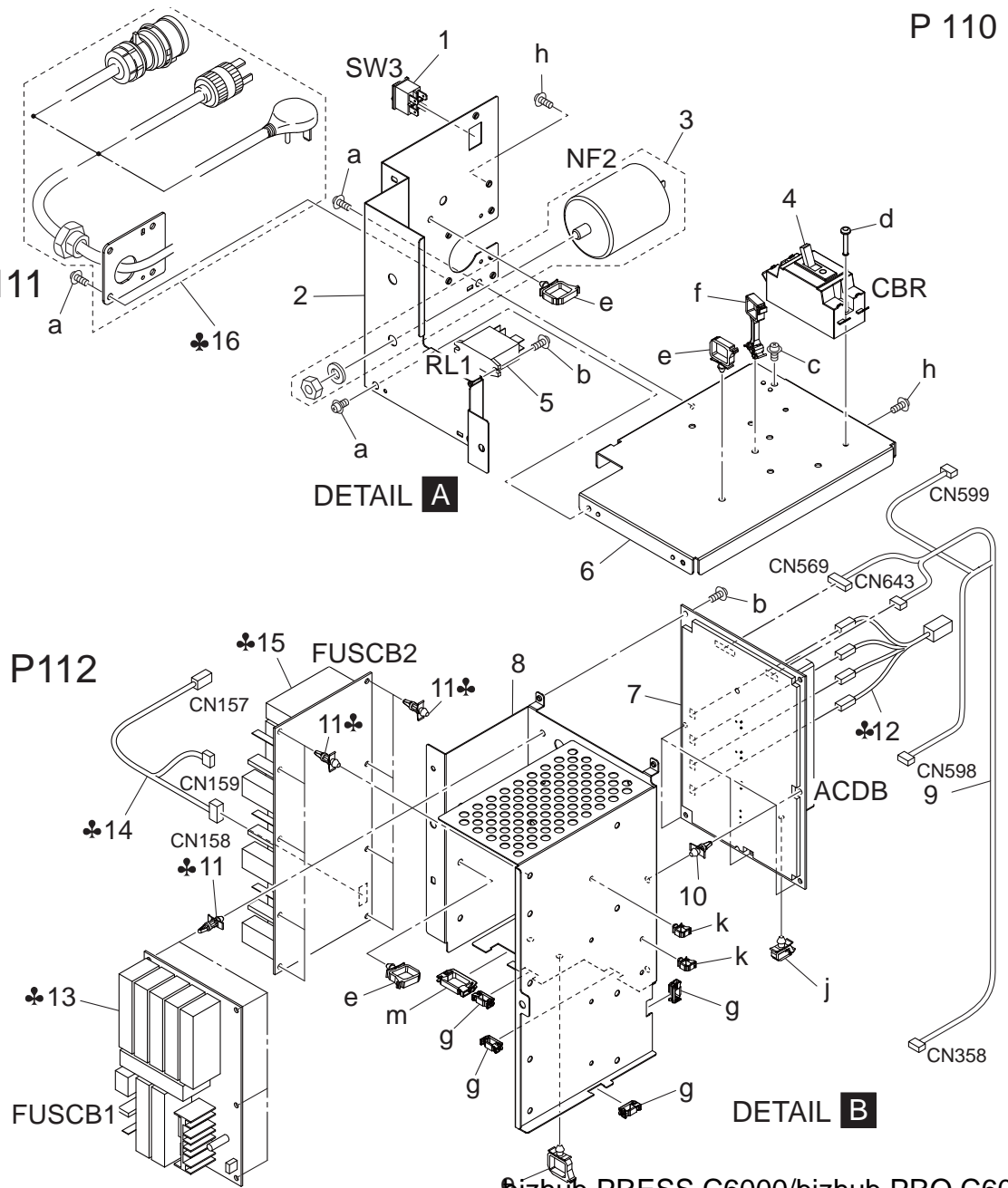
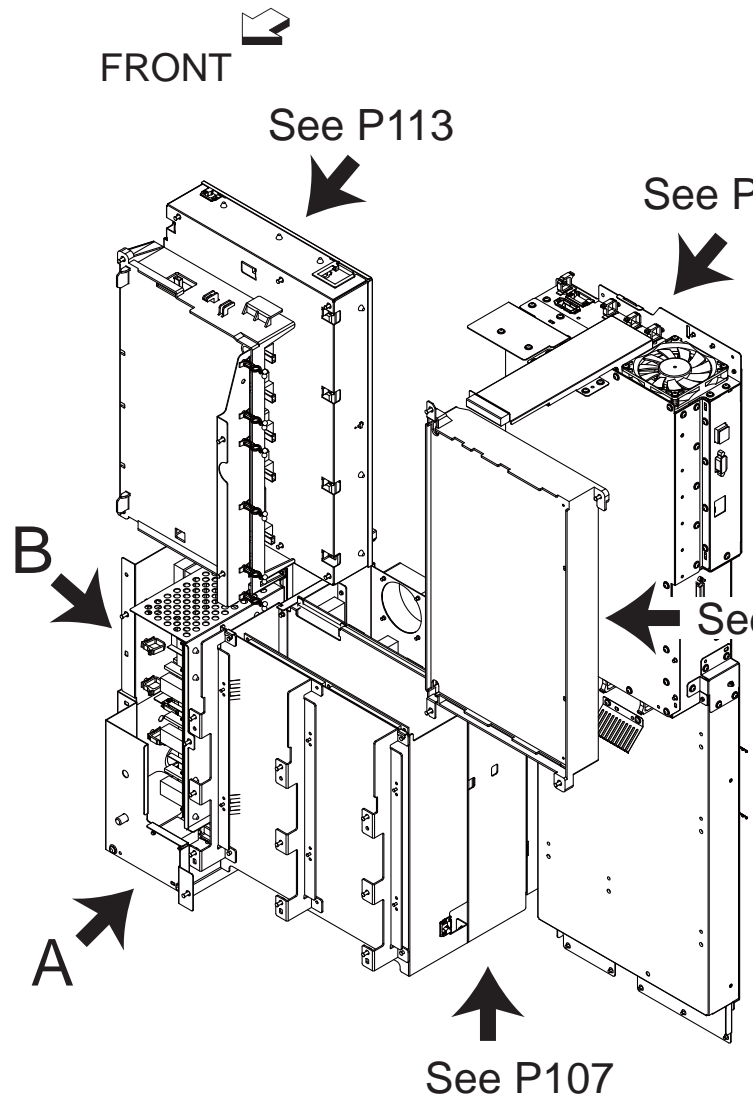
# MAIN FRAME

Key	Part No.	Description	Destinations	Class	QTY	Standard parts
1	65AA10360E	Shaft Support Plate		D	1	a-V121030403 b-V121040403 c-V121040603 d-V121030603 e-V140040803
2	A1DUR72700	High Voltage Cover Assy		C	3	
3	A1DUR72C00	High Voltage Cover/1 Assy		C	1	
4	A1DUR72600	Power Block/1 Assy		C	7	
5	A1DUR70100	Developing Cuct / Y Assy		D	1	
6	A03UF11200	Base Panel Shaft CAULKING		D	1	
7	65AA10490	ELECTRIC MOUTING PLATE		D	1	
8	A1DU622200	Mounting Screw		D	2	
9	A1DUN11000	Main body Wiring /3		D	1	
10	A1DVN10902	DC Power Source Harness /2		D	1	

bizhub PRESS C6000/bizhub PRO C6000L

# ELECTRICAL COMPONENTS

P 110



bizhub PRESS C6000/bizhub PRO C6000L

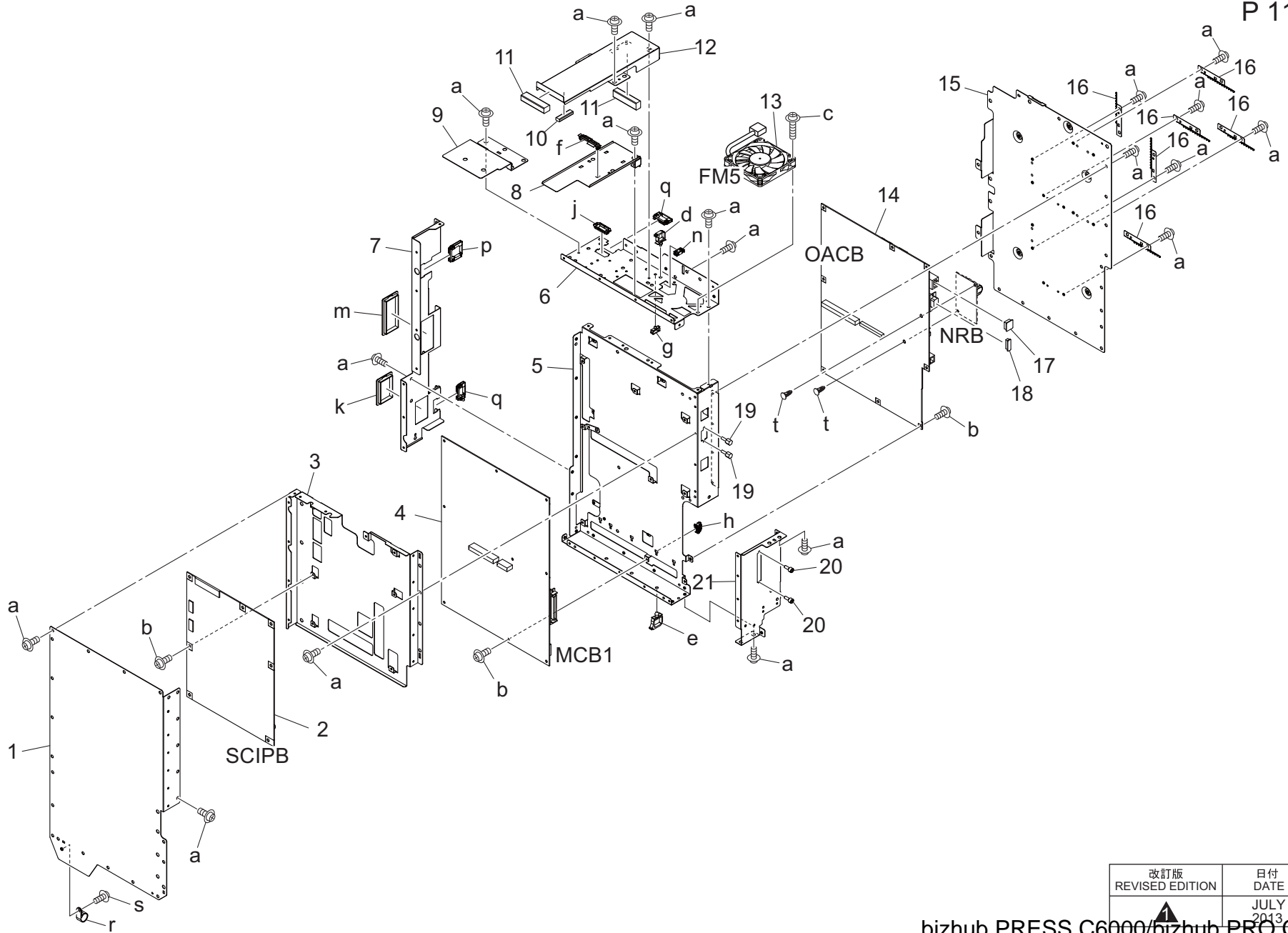
# ELECTRICAL COMPONENTS

Key	Part No.	Description	Destinations	Class	QTY	Standard parts
1	A00JM60300	Rocker switch		C	1	a-V127040603
2	A1DU135901	Mounting Plate		D	1	b-V121030603
3	55TA84561	Noise Filter		C	1	c-V116050803
4	A0G6M60400	Breaker		C	1	d-V111042003
5	A07TM60100	Power source Relay		C	1	e-V500010008
6	A1DU136401	Fixing Plate /C		D	1	f-V500020085
7	A03UH52002	AC Drive Board Assy		I	1	g-V570010057
8	A1DU130601	Mounting Plate /1		D	1	h-V125040803
9	A1DUN21300	Main body Relay harness /3		D	1	j-V500010059
10	V502010032	spacer		D	5	k-V500010020
11	V502010033	spacer		D	16	m-V570010059
12	A1DUN15A00	Fixing Relay harness		D	1	
12	A1DUN16F00	Fixing Relay harness /F		D	1	
13	A1DUM70001	Fixing Control board /1		I	1	
14	A1DUN14F00	Fixing Control harness /F		D	1	
15	A1DUM70101	Fixing Control board /2		I	1	
16	A1DUR72D00	Power Cord Assy		D	1	
16	A1DUR72E00	Power Cord Assy US		D	1	
16	A1DUR72F00	Power Cord Assy EU		D	1	
16	A1DUR74G11	Power Cord Assy AU		D	1	



# ELECTRICAL COMPONENTS

P 111



Order here  
8 (495) 646-0426  
www.km-shop.ru

改訂版 REVISED EDITION	日付 DATE
	JULY 2013

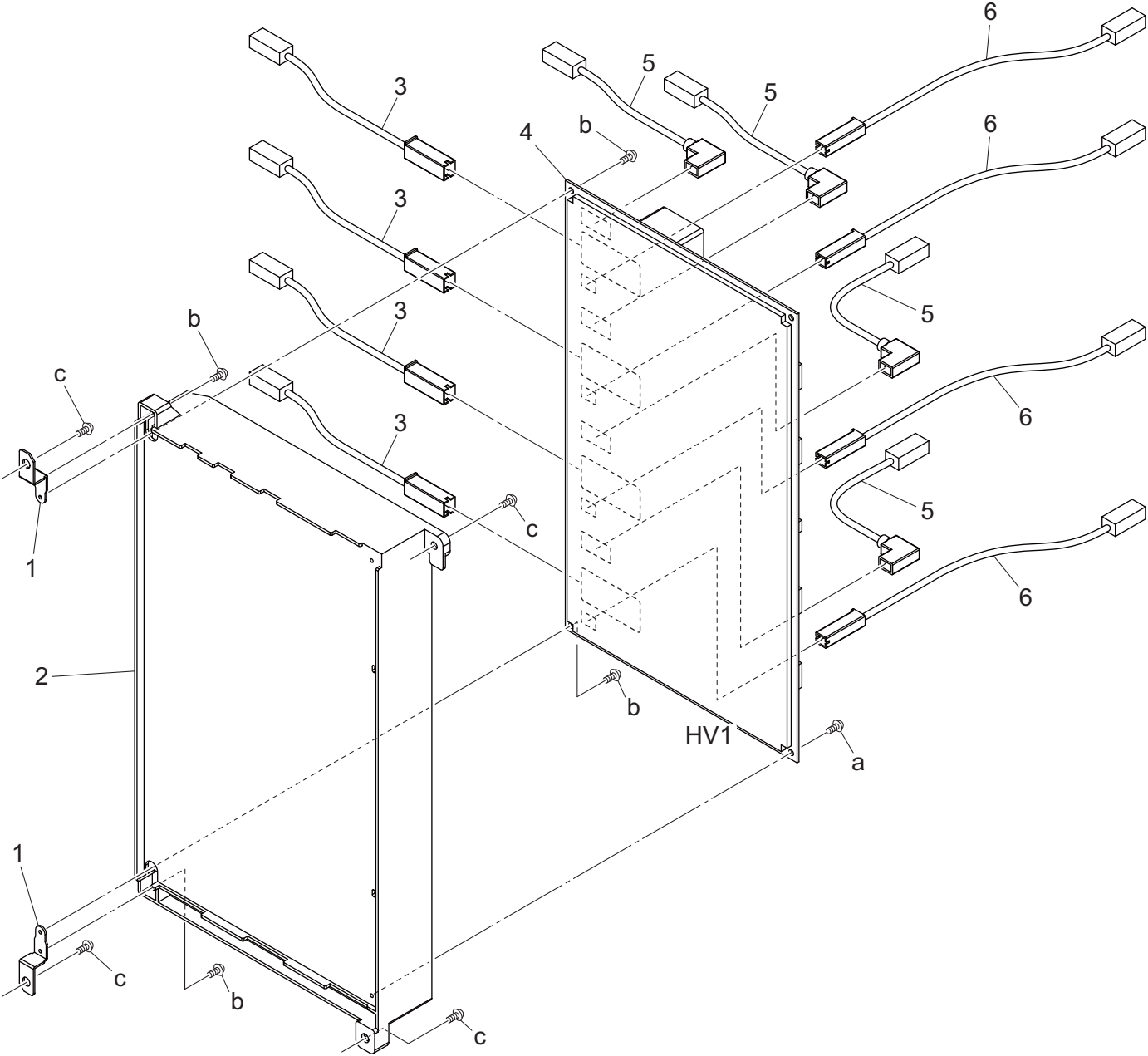
bizhub PRESS C6000/bizhub PRO C6000L

## ELECTRICAL COMPONENTS

Key	Part No.	Description	Destinations	Class	QTY	Standard parts
1	A1DU135001	Cover /Rear		D	1	a-V121030403
2	A1DUH05003	Image Processing Board /S Assy		I	1	b-V121030603
3	A1DU130100	Mounting Plate /3		D	1	c-V121031803
4	A1DUH02002	Memory Control Board /1 Assy		I	1	d-V500010007
5	A1DU131102	Mounting Main body /ASSY		D	1	e-V500010008
6	A1DU132002	Cover		D	1	f-V500020066
7	A1DU135200	Side plate		D	1	g-V500010061
8	A1DU132800	Sealing Plate /1		D	1	h-V500010072
9	A1DU133100	Cover /2		D	1	j-V570010037
10	56UA12690	Earth Cushion /3		D	1	k-V570010039
11	65AA73450	ELECTRIC EARTH PART /2		D	2	m-V570010040
12	A1DU132901	Sealing Plate /2		D	1	n-V570010057
13	A1RFM15100	Fan motor /1		C	1	p-V570010058
14	A1DUH01002	Control Board/S Assy		I	1	q-V570010059
15	A1DU131301	Cover /Upper		D	1	r-V500020086
16	A02E262300	Plate spring		D	6	s-V125041001
17	40LA73840	Contact Protection Cover		D	1	t-V502010009
18	13RN73120	Terminal Protection Cover /1		D	1	
19	26NA73570	Contact Fixing Screw /A		C	2	
20	A03U136500	Set Screw /A		C	2	
21	A1DU135301	Side plate /Right		D	1	

bizhub PRESS C6000/bizhub PRO C6000L

ELECTRICAL COMPONENTS



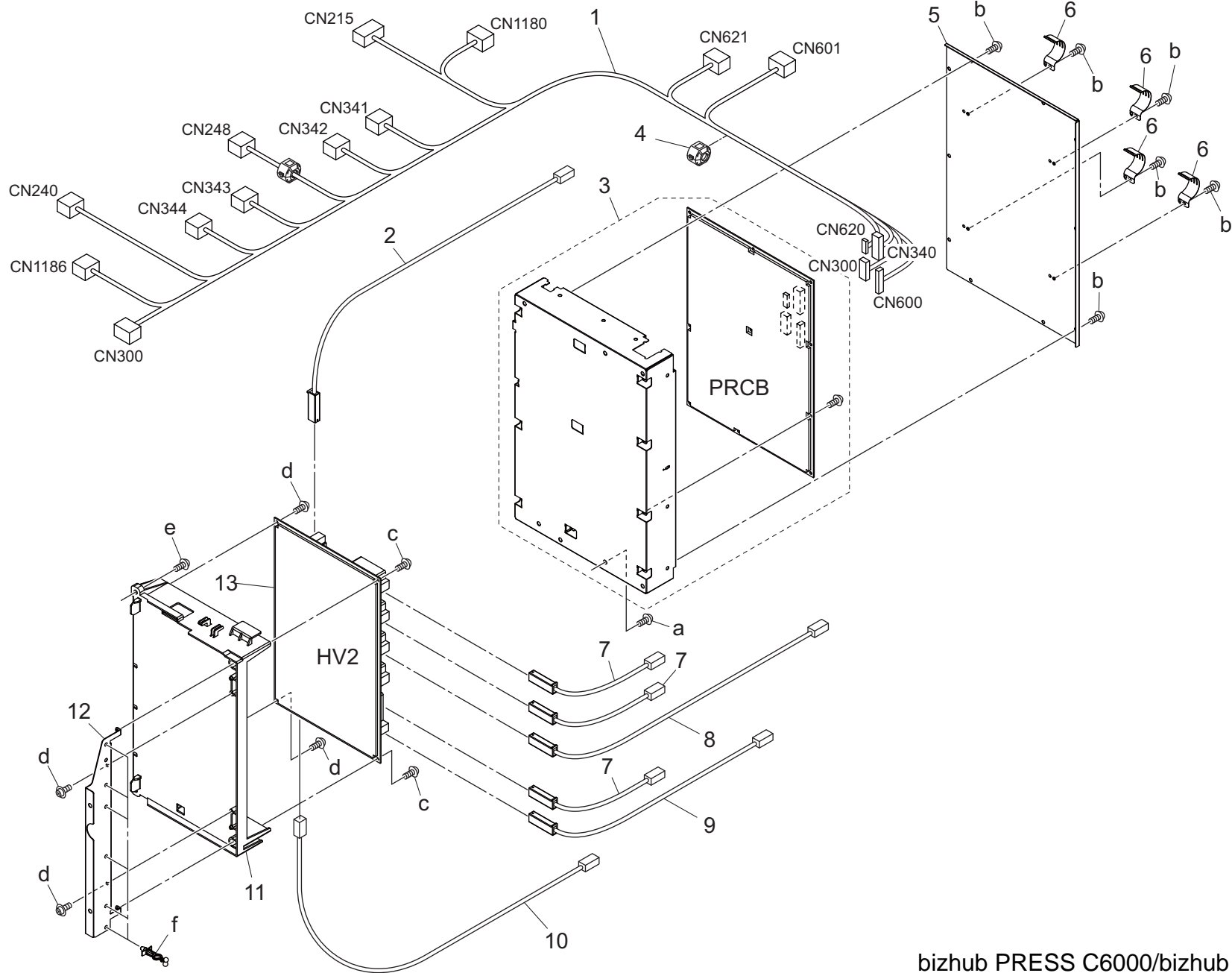
bizhub PRESS C6000/bizhub PRO C6000L

# ELECTRICAL COMPONENTS

Key	Part No.	Description	Destinations	Class	QTY	Standard parts
1	65AA73090D	Earth Plate /1		D	2	a-V151030803 b-V121030603 c-V140040803
2	65AA73040D	High voltage Casing /1		D	1	
3	65AA90190	HV Wire /C		D	4	
4	A1DUM40301	HV Power source /1		I	1	
5	65AA90210	High Voltage Wire /D		D	4	
6	65AA90200	High Voltage Wire /G		D	4	

# ELECTRICAL COMPONENTS

P 113



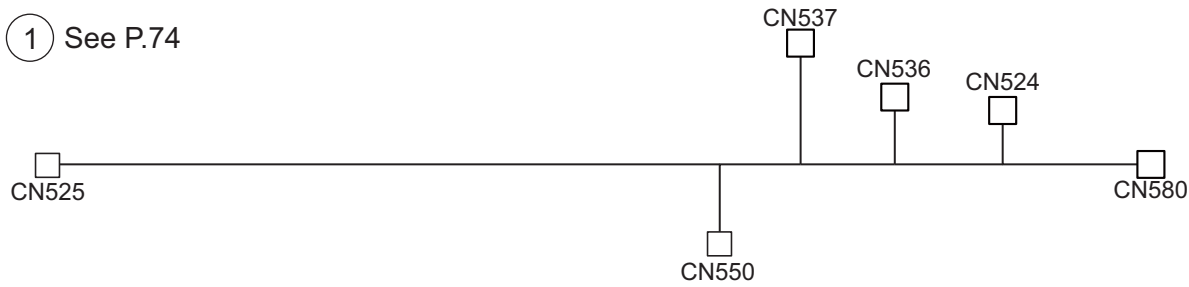
bizhub PRESS C6000/bizhub PRO C6000L

ELECTRICAL COMPONENTS

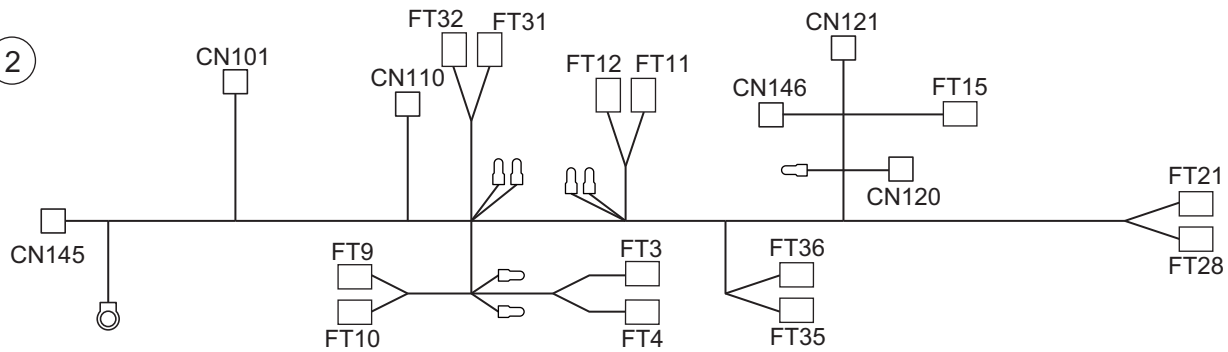
Key	Part No.	Description	Destinations	Class	QTY	Standard parts
1	A1DUN13002	Scanner Control harness		D	1	a-V121040603
2	65AA90880	High Voltage Relay Wire /Y		D	1	b-V121030403
3	A1DUR70422	Printer Control Unit		I	1	c-V121030603
4	57AF88730	FERRITE CORE 3		D	1	d-V151030803
5	65AA73140D	Base plate Sealing Cover /2		D	1	e-V140040803
6	56AA73560	EARTH PLATE UPPER		C	4	f-V500020053
7	65AA90260	HV Wire /2		D	3	
8	65AA91020	HV Wire /K		D	1	
9	A1DUN18700	Bias Wire		D	1	
10	A1DUN19000	Separating Wire /2		D	1	
11	65AA73050D	High voltage Casing /2		D	1	
12	65AA73100E	Earth Plate /2		D	1	
13	A1DUM40401	HV Power source /2		I	1	

bizhub PRESS C6000/bizhub PRO C6000L

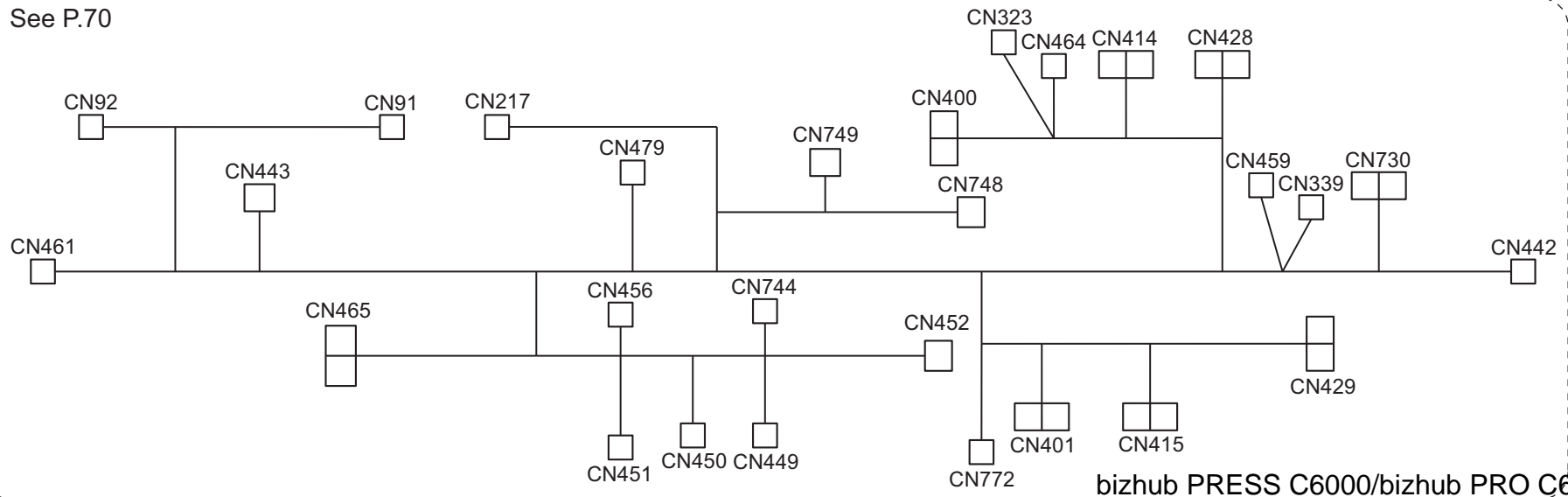
① See P.74



②



See P.70



bizhub PRESS C6000/bizhub PRO C6000L

# WIRING

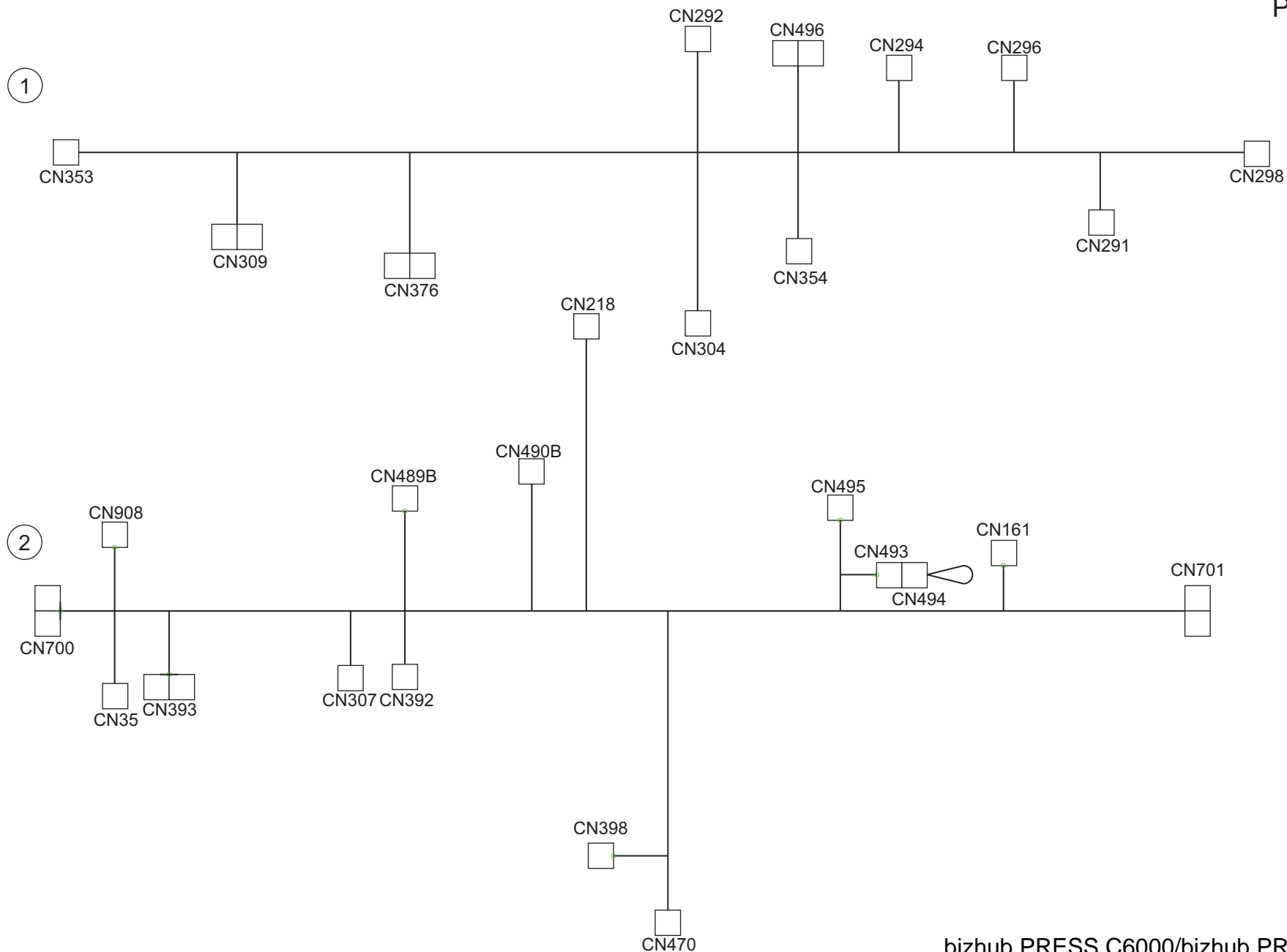
Key	Part No.	Description	Destinations	Class	QTY	Standard parts
1	A1DUN17601	Conveyance Drive harness /3		D	1	
2	A1DUN10102	AC Power Source Harness /1		D	1	

bizhub PRESS C6000/bizhub PRO C6000L



# WIRING

P 115



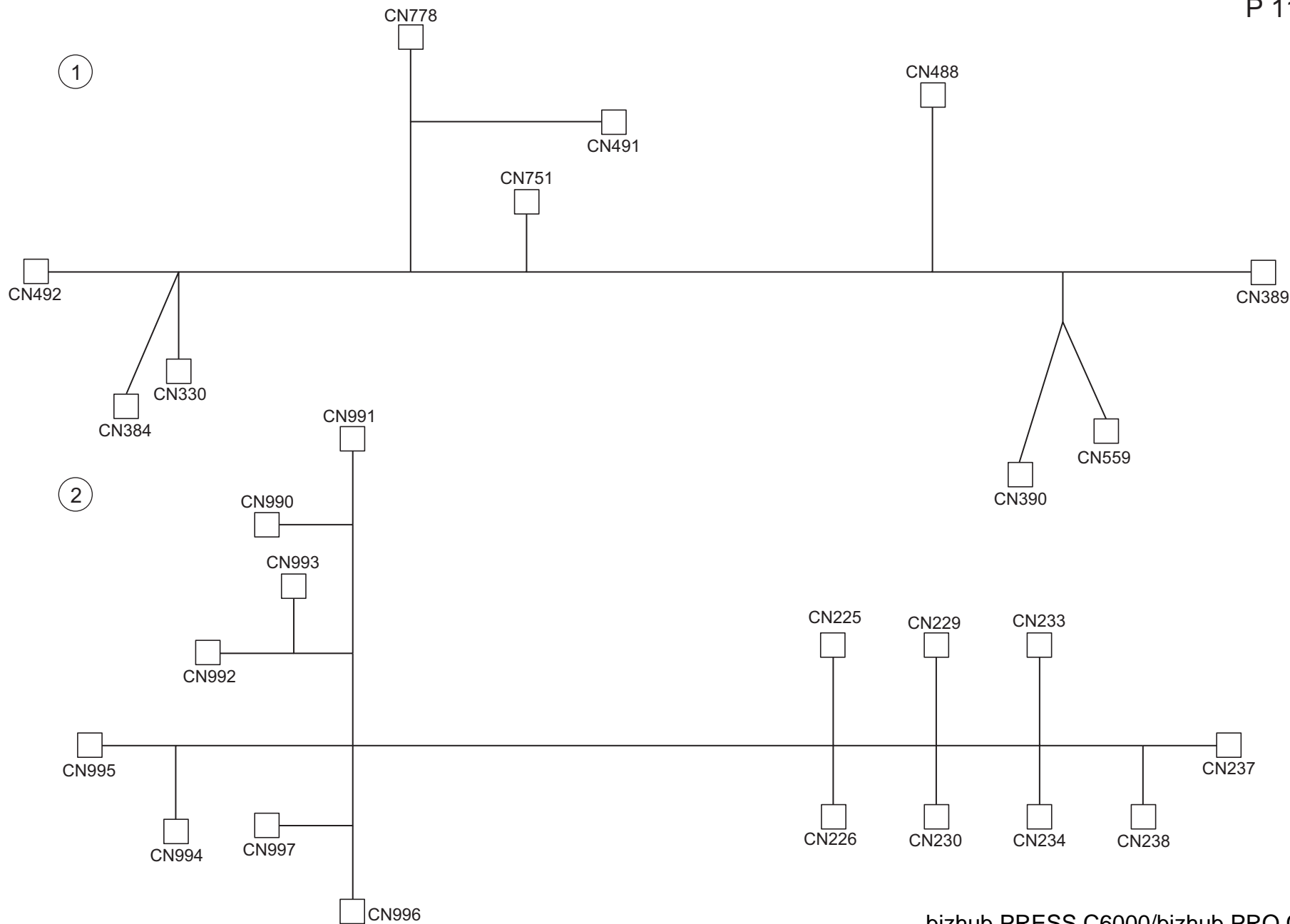
bizhub PRESS C6000/bizhub PRO C6000L

# WIRING

Key	Part No.	Description	Destinations	Class	QTY	Standard parts
1	A1DUN11300	Main body Wiring /5		D	1	
2	A1DUN13900	Toner Relay harness /1		D	1	

# WIRING

P 116



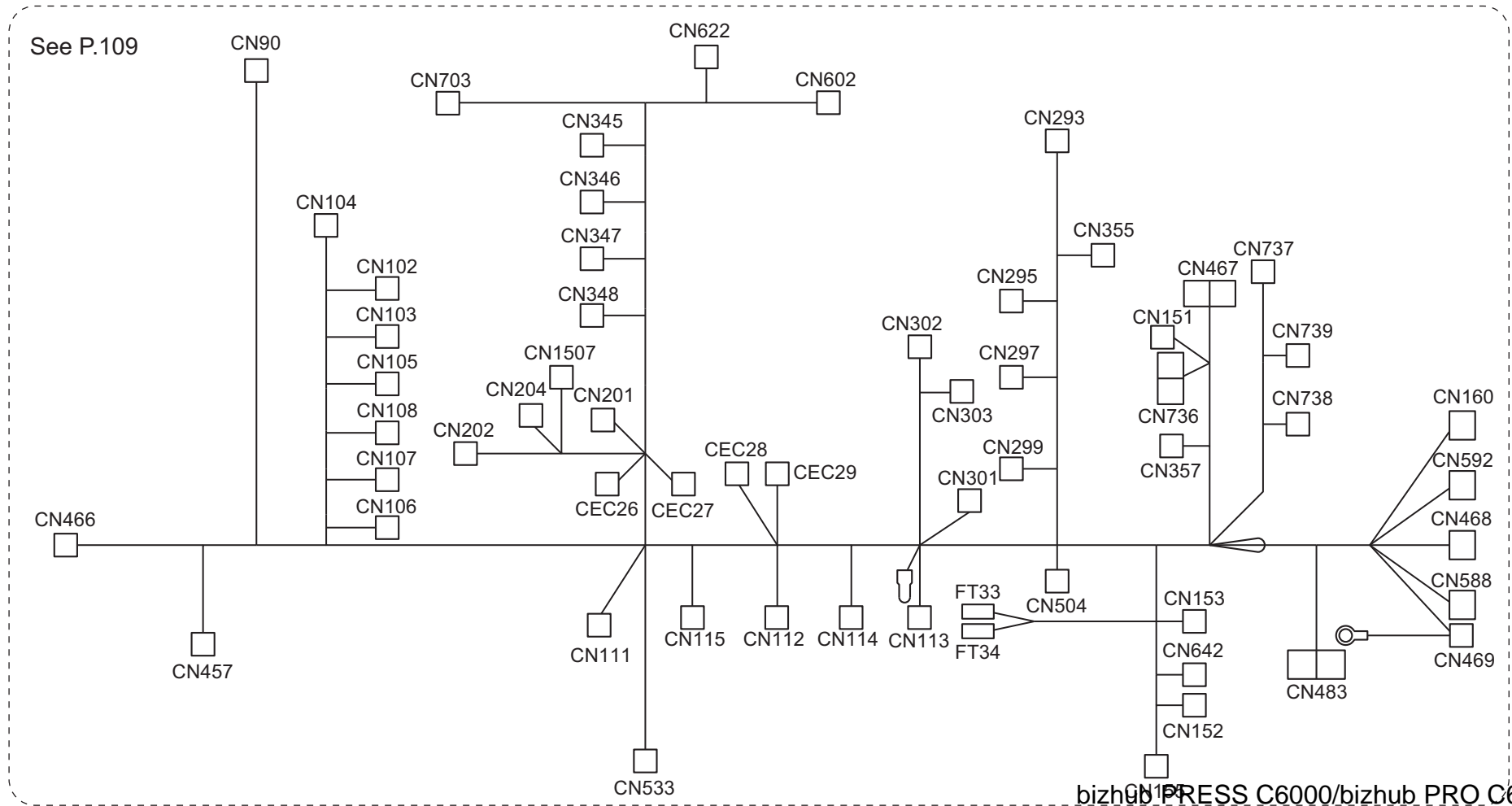
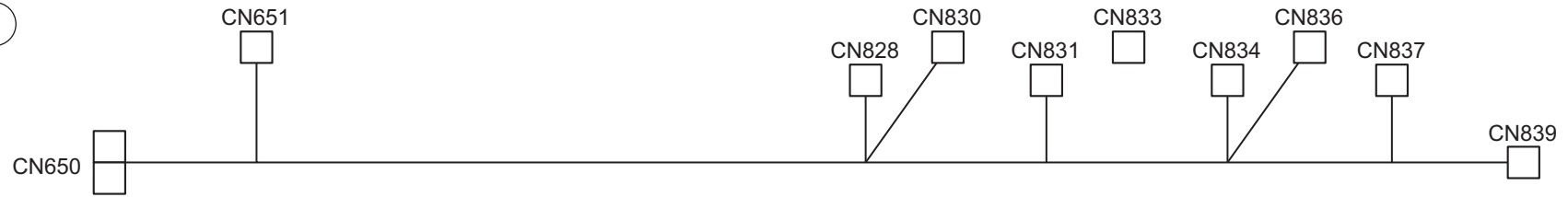
bizhub PRESS C6000/bizhub PRO C6000L

Key	Part No.	Description	Destinations	Class	QTY	Standard parts
1	A1DUN19502	MAIN BODY WIRING /2		D	1	
2	A1DUN27600	LD Relay Harness		D	1	

bizhub PRESS C6000/bizhub PRO C6000L

# WIRING

1



bizhub PRESS C6000/bizhub PRO C6000L

WIRING

Key	Part No.	Description	Destinations	Class	QTY	Standard parts
1	A1DUN22700	Main body Wiring /4 本体束線 / 4		D	1	

bizhub PRESS C6000/bizhub PRO C6000L

# WIRING ACCESSORIES

P 118

1 	6 	11 	16 	21 	26 	31 	36 
2 	7 	12 	17 	22 	27 	32 	37 
3 	8 	13 	18 	23 	28 	33 	38 
4 	9 	14 	19 	24 	29 	34 	39 
5 	10 	15 	20 	25 	30 	35 	40 

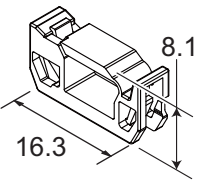
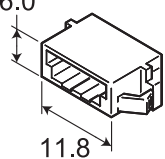
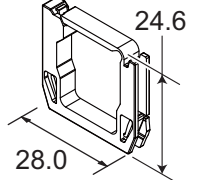
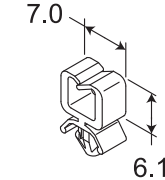
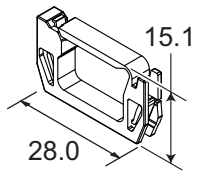
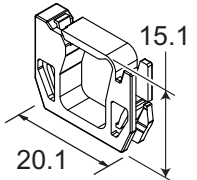
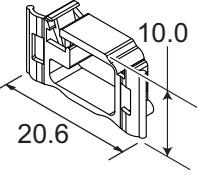
bizhub PRESS C6000/bizhub PRO C6000L

Key	Part No.	Description	Destinations	Class	QTY	Standard parts
1	V500010003	Saddle	ロッキングワイヤーサドル	D		
2	V500010005	saddle	ロッキングワイヤーサドル	D		
3	V500010007	saddle	ロッキングワイヤーサドル	D		
4	V500010008	saddle	ロッキングワイヤーサドル	D		
5	V500010015	saddle	ロッキングワイヤーサドル	D		
6	V500010020	Saddle	ミニロッキングワイヤーサドル	D		
7	V500010021	saddle	ロッキングワイヤーサドル	D		
8	V500010029	saddle	ミニサドル	D		
9	V500010030	saddle	ミニサドル	D		
10	V500010032	clamp	リユースクランプ	D		
11	V500010034	saddle	リユースワイヤーサドル	D		
12	V500010046	saddle	ミニロッキングワイヤーサドル	D		
13	V500010051	saddle	ミニサドル	D		
14	V500010057	Locking Wire Saddle	ロッキングワイヤーサドル	D		
15	V500010072	Locking Wire Saddle	ロッキングワイヤーサドル	V		
16	V500010075	Locking Wire Saddle	ロッキングワイヤーサドル	V		
17	V500020001	clamp	ナイロンクランプ	D		
18	V500020023	clamp	フラットクランプ	D		
19	V500020033	clamp	K S クランプ	D		
20	V500020035	clamp	ナイロンクランプ	D		
21	V500020050	cord keep	コードキープ	D		
22	V500020053	lock	スタンドオフツイストロック	D		
23	V500020054	clamp	ミニクランプ	D		
24	V651010005	CONNECTOR	W t o W コネクタ	D		
25	V500020085	Harness Lifter	ハーネスリフター	V		
26	V501010002	band	結束バンド	D		
27	V501010004	band	結束バンド	D		
28	V501010006	band	結束バンド	D		
29	V501010009	band	結束バンド	D		
30	V501010010	binder	S K バインダー	D		
31	V501010011	binder	S K バインダー	D		
32	V501010018	BAND	スナップバンド	D		
33	V501010020	SK Binder	S K バインダー	V		
34	V570010021	Saddle	エッジサドル	D		
35	V570010023	saddle	エッジサドル	D		
36	V570010038	bushing	スクウェアブッシュ	D		
37	V570010039	bushing	スクウェアブッシュ	D		
38	V570010040	bushing	スクウェアブッシュ	D		
39	V570010047	SQUARE CLAMP	スクウェアクランプ	D		
40	V570010050	Locking Edge Saddle	ロッキングエッジサドル	D		



# WIRING ACCESSORIES

P 119

1 	6 	11	16	21	26	31	36
2 	7 	12	17	22	27	32	37
3 	8	13	18	23	28	33	38
4 	9	14	19	24	29	34	39
5 	10	15	20	25	30	35	40

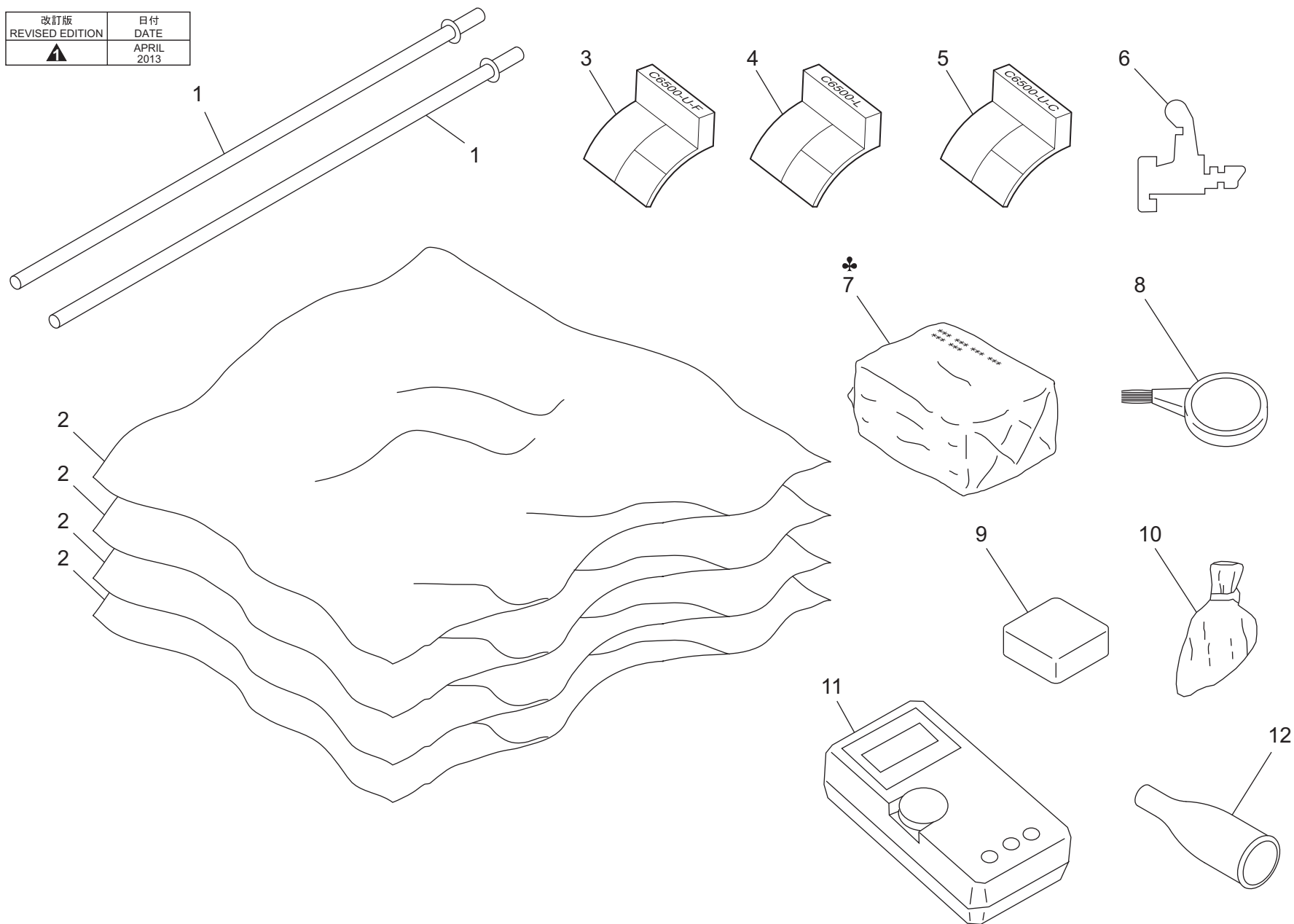
bizhub PRESS C6000/bizhub PRO C6000L

Key	Part No.	Description	Destinations	Class	QTY	Standard parts
1	V570010057	Wing Edge Saddle		D		
2	V570010058	Wing Edge Saddle		D		
3	V570010059	Wing Edge Saddle		D		
4	V570010060	Wing Edge Saddle		D		
5	V570010063	Locking Edge Saddle		D		
6	V651010003	CONNECTOR		D		
7	V500010050	saddle		D		

# JIG AND SERVICE MATERIAL

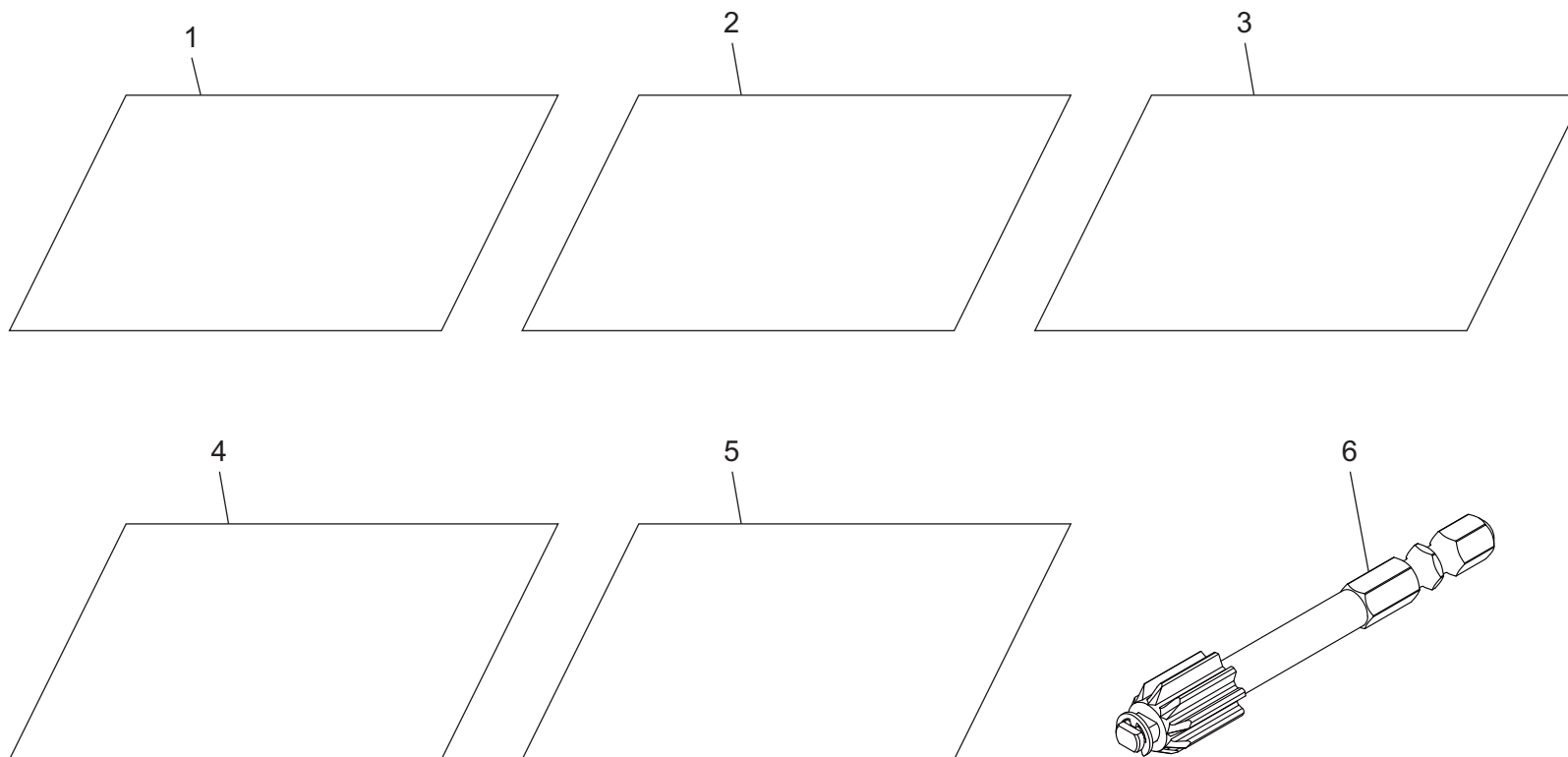
P 120

改訂版 REVISED EDITION	日付 DATE
	APRIL 2013



bizhub PRESS C6000/bizhub PRO C6000L

Key	Part No.	Description	Destinations	Class	QTY	Standard parts
1	7050K0020	OPTICS PS GAUGE		S	2	
2	00VC-2-00	DRUM COVER		C	4	
3	A03UPJG200	ADJUSTING JIG /B		S	1	
4	A03UPJG300	ADJUSTING JIG /C		S	1	
5	A03UPJG100	ADJUSTING JIG /A		S	1	
6	00M6-2-00	DOOR SWITCH JIG 2/1SET		S	1	
7	000V-18-1	CLEANING PAD	C, D1, D3, E, F2, G 1, H, I, J, K	A	1	
7	000V-18-2	CLEANING PAD	A	A	1	
8	00VD-1000	BLOWER BRUSH		B	1	
9	65AA-9920	HYDROWIPE		D	1	
10	000V-19-0	SETTING POWDER		A	1	
11	56UAPJG000	Tester		S	1	
12	A1DUPJG100	Cleaning Jig		S	1	



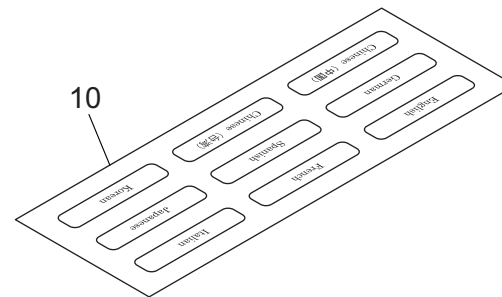
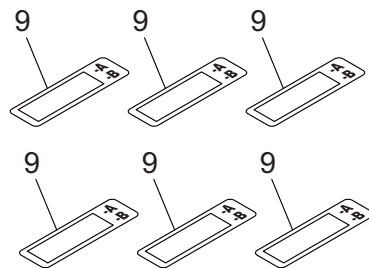
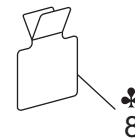
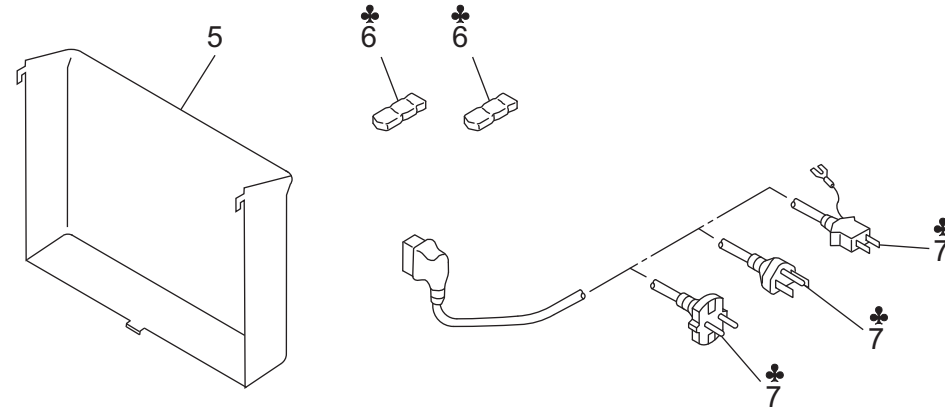
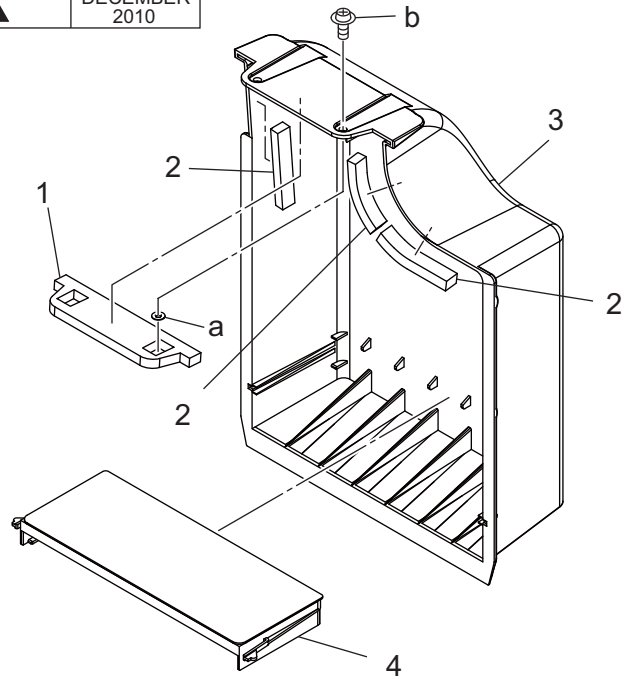
# JIG AND SERVICE MATERIAL

Key	Part No.	Description	Destinations	Class	QTY	Standard parts
1	9J06PJP100	Color chart/A3 size		C	1	
2	9J06PJP200	Color chart/11x17size		D	1	
3	4040PJP100	Test chart/A3 size		C	1	
4	4040PJP200	Test chart/11x17 size		D	1	
5	65AA99500	AJUST PAPER FOR FIXING UNIT(16SHEET S)		S	1	
6	A1DURX0100	Developer Ejection Jig		S	1	

bizhub PRESS C6000/bizhub PRO C6000L

# ACCESSORY PARTS

改訂版 REVISED EDITION	日付 DATE
	DECEMBER 2010



bizhub PRESS C6000/bizhub PRO C6000L

# ACCESSORY PARTS

Key	Part No.	Description	Destinations	Class	QTY	Standard parts
1	65AA12720	REAR COVER SEAL 1		C	1	a-V211040080 b-V114041404
2	65AA12730	REAR COVER SEAL 2		C	3	
3	A03U164500	Rear Cover /2		C	1	
4	A1DUR70700	Dust Proof Firter /2 Assy		A	1	
5	56UA12770	ACCESSARIES HOLDING PANEL		C	1	
6	V590040002	Terminal Cap	A	D	2	
7	4040078001	POWER CORD	A	C	2	
7	9381410131	POWER CORD	B, G2	C	1	
7	9J06N30000	POWER CODE /230V	C, D1, D3, E, F2, G 1, H, I, K	D	1	
8	56AA97140	CORD LABEL	B, G2	D	1	
9	A1RF945501	Replacement Label /5		D	6	
10	A1DU946300	Input Label		D	1	



# MAINTENANCE LIST

● The items with no Page/Key numbers are not handled as spare parts.

No.	Section	PM Parts Description	Maintenance Cycle (K=1,000)		Parts No.	Destinations	Page/Key	Note
			QTY	Replace				
1	External section	Filter box	1	600K	A1DUR70300		P105-25	
2		Dust proof filter on rear side	1	600K	A1DUR70700		P122-4	
3		Developing dust proof filter	1	600K	A1DU123001		P1-2	
4	Photo conductor section	Drum cartridge /Y	1					
5		Drum cartridge /M	1					
6		Drum cartridge /C	1					
7		Drum cartridge /K	1					
8		Charging corona /Y	1	160K	A1DUR71300		P15-1	
9		Charging corona /M	1	160K	A1DUR71300		P15-1	
10		Charging corona /C	1	160K	A1DUR71300		P15-1	
11		Charging corona /K	1	160K	A1DUR71300		P15-1	
12		Charging dust proof filter	1	600K	A1DUR71111		P24-12	
13	Intermediate transfer section	Transfer belt cleaning blade	1	300K	A03U553000		P35-6	
14		1st transfer roller /Y	1	300K	A03U501200		P36-27	
15		1st transfer roller /M	1	300K	A03U501200		P36-27	
16		1st transfer roller /C	1	300K	A03U501200		P36-27	
17		1st transfer roller /K	1	300K	A03U500400		P34-19	
18		2nd transfer roller /Up	1	300K	65AA26111		P34-22	
19		2nd transfer roller /Lw	1	300K	65AA45011		P50-4	
20		Intermediate transfer belt	1	300K	A1DU504203		P34-24	
21		Toner collection sheet	1	300K	A1DUR71C00		P35-17	
22		Separation discharging plate assy	1	300K	A1DUR73811		P50-2	
23		Transfer belt cleaning unit	1	600K	A1DUR71B00		P35-1	
24		Transfer Belt Separation Claw	3	600K	A1DUR71900		P34-30	
25		2nd transfer earth plate assy	1	900K	A1DUR73700		P50-25	
26		Belt separation claw solenoid	1	1,400K	26NA82513		P48-14	
27	Transfer Roller Bearing	8	3,000K	65AA26380		P34-16/P36-23		
28	Developing section	Developer /Y	1		-			
29		Developer /M	1		-			
30		Developer /C	1		-			
31		Developer /K	1		-			
32		Developing unit /Y	1	900K	A1DUR70X66		P20-21	
33		Developing unit /M	1	900K	A1DUR70X66		P21-21	
34		Developing unit /C	1	900K	A1DUR74K44		P22-21	
35		Developing unit /K	1	900K	A1DUR72S33		P23-21	
36	Toner collection section	Toner collect box	1	50K	A1DUR70W00		P32-26	
37	Paper feed section	Paper feed roller rubber /1	1	125K	25SA40960		P54-4	
38		Paper feed roller rubber /2	1	125K	25SA40960		P57-4	
39		Paper feed roller rubber /3	1	125K	25SA40960		P60-4	
40		Separation roller rubber /1	1	125K	25SA40960		P52-22	
41		Separation roller rubber /2	1	125K	25SA40960		P55-22	
42		Separation roller rubber /3	1	125K	25SA40960		P58-22	
43		Pick-up roller /1	1	800K	A1DUR71J00		P54-2	
44		Pick-up roller /2	1	800K	A1DUR71J00		P57-2	
45		Pick-up roller /3	1	800K	A1DUR71J00		P60-2	
46		Paper feed clutch /1	1	2,000K	56AA82012		P54-17	
47		Paper feed clutch /2	1	2,000K	56AA82012		P57-17	
48		Paper feed clutch /3	1	2,000K	56AA82012		P60-17	
49		Pre-registration clutch /1	1	2,000K	56AA82012		P53-11	
50		Pre-registration clutch /2	1	2,000K	56AA82012		P56-11	
51		Pre-registration clutch /3	1	2,000K	56AA82012		P59-11	
52	Vertical conveyance section	Intermediate conveyance clutch /1	1	2,000K	56AA82012		P73-9	

bizhub PRESS C6000/bizhub PRO C6000L

No.	Section	PM Parts Description	Maintenance Cycle (K=1,000)		Parts No.	Destinations	Page/Key	Note
			QTY	Replace				
53	Registration section	Registration cleaning sheet assy	1	600K	A1DUR73B00		P71-11	
54		Registration roller	1	1,400K	A1DUR73A00		P71-18	
55	Duplex section	Intermediate conveyance clutch /2	1	2,000K	56AA82012		P76-9	
56		Intermediate conveyance clutch /3	1	2,000K	56AA82012		P76-9	
57	Reverse/exit section	Reverse de-curler roller	1	400K	A03U860500		P88-22	
58		Paper exit de-curler roller	1	1,000K	A03U892600		P84-5	
59	Fusing section	Fusing separation plate assy	1	300K	A1DUR74H00		P43-13	
60		Fusing drive gear /O	1	450K	A03U809500		P45-32	
61		Fusing paper exit roller /Up	2	450K	A03U722500		P42-12	
62		Fusing Belt	1	450K	A1DU736000		P45-12	
63		Fusing roller /Lw	1	450K	A03U720300		P44-12	
64		Heat insulating sleeve /Lw	2	450K	A03U722700		P44-10	
65		Fusing bearing /Lw	2	450K	26NA53712		P44-11	
66		Fusing limiter	1	600K	65AA53651		P40-16	
67		Fusing regulating gear /A	1	600K	65AA77470		P40-18	
68		Fusing drive gear /B	1	900K	A03U808201		P43-1	
69		Fusing roller /1	1	900K	A03U720100		P45-11	
70		Fusing roller /2	1	900K	A03U720201		P45-9	
71		Fusing bearing /Up	2	900K	A1UD723500		P45-5	
72		Fusing bearing /2	2	900K	56UA75070		P45-17	
73		Belt regulating sleeve	2	900K	A03U725000		P45-10	
74		Heat insulating sleeve /Up	2	900K	A03U729500		P45-4	
75		Fusing drive gear /M	1	900K	A03U809311		P40-20	
76		Fusing duct assy	1	1,800K	A1DUR72100		P38-12	
77		Fusing lamp assy /Up	1	2,400K	A1DUM31A00	A	P45-34	
77		Fusing lamp assy /Up	1	2,400K	A1DUM31E00	B,G2	P45-34	
77		Fusing lamp assy /Up	1	2,400K	A1DUM31F00	C,D1,D3,E,F2,G1,H,I,J	P45-34	
78	Fusing heater lamp /4	1	2,700K	A03UM32A00	A	P44-16		
78	Fusing heater lamp /4	1	2,700K	A03UM32E00	B,G2	P44-16		
78	Fusing heater lamp /4	1	2,700K	A03UM32F00	C,D1,D3,E,F2,G1,H,I,J	P44-16		
79	Fusing temperature sensor assy /Up (edge)	1	2,400K	A1DUR72000		P45-23		
80	Fusing temperature sensor assy /Lw (edge)	1	2,400K	A1DUR71W00		P43-23		
81	Duplex section	ADU conveyance clutch /1	1	3,600K	A03UM20100		P76-12	Spotted replacement parts
82		ADU transport clutch /2	1	3,600K	A03UM20100		P76-12	Spotted replacement parts
83		ADU transport clutch /3	1	3,600K	A03UM20100		P76-12	Spotted replacement parts
84		ADU pre-registration clutch	1	3,600K	A03UM20100		P76-12	Spotted replacement parts

# メンテナンスリスト

● ページ / キーナンバーのないものは、アフターサービス部品ではありません。

No.	区分	PM 部品名称	サイクル (K=1,000)		部品番号	仕向地	頁 / キー	備考
			員数	交換				
1	外装部	フィルターボックス	1	600K	A1DUR70300		P105-25	
2		背面防塵フィルター	1	600K	A1DUR70700		P122-4	
3		現像防塵フィルター	1	600K	A1DU123001		P1-2	
4	感光体部	ドラムカートリッジ /Y	1					
5		ドラムカートリッジ /M	1					
6		ドラムカートリッジ /C	1					
7		ドラムカートリッジ /K	1					
8		帯電極 /Y	1	160K	A1DUR71300		P15-1	
9		帯電極 /M	1	160K	A1DUR71300		P15-1	
10		帯電極 /C	1	160K	A1DUR71300		P15-1	
11		帯電極 /K	1	160K	A1DUR71300		P15-1	
12		帯電防塵フィルター	1	600K	A1DUR71111		P24-12	
13	中間転写部	転写ベルトクリーニングブレード	1	300K	A03U553000		P35-6	
14		1次転写ローラー /Y	1	300K	A03U501200		P36-27	
15		1次転写ローラー /M	1	300K	A03U501200		P36-27	
16		1次転写ローラー /C	1	300K	A03U501200		P36-27	
17		1次転写ローラー /K	1	300K	A03U500400		P34-19	
18		2次転写ローラー /Up	1	300K	65AA26111		P34-22	
19		2次転写ローラー /Lw	1	300K	65AA45011		P50-4	
20		中間転写ベルト	1	300K	A1DU504203		P34-24	
21		トナー回収シート	1	300K	A1DUR71C00		P35-17	
22		分離除電板 Assy	1	300K	A1DUR73811		P50-2	
23		転写ベルトクリーニングユニット	1	600K	A1DUR71B00		P35-1	
24		転写ベルト分離爪	3	600K	A1DUR71900		P34-30	
25		2次転写アース板 Assy	1	900K	A1DUR73700		P50-25	
26		ベルト分離爪ソレノイド	1	1,400K	26NA82513		P48-14	
27		転写ローラー軸受	8	3,000K	65AA26380		P34-16/P36-23	
28	現像部	現像剤 /Y	1		-			
29		現像剤 /M	1		-			
30		現像剤 /C	1		-			
31		現像剤 /K	1		-			
32		現像ユニット /Y	1	900K	A1DUR70X66		P20-21	
33		現像ユニット /M	1	900K	A1DUR70X66		P21-21	
34		現像ユニット /C	1	900K	A1DUR74K44		P22-21	
35		現像ユニット /K	1	900K	A1DUR72S33		P23-21	
36	トナー回収ボックス	1	50K	A1DUR70W00		P32-26		
37	給紙部	給紙ローラーゴム /1	1	125K	25SA40960		P54-4	
38		給紙ローラーゴム /2	1	125K	25SA40960		P57-4	
39		給紙ローラーゴム /3	1	125K	25SA40960		P60-4	
40		分離ローラーゴム /1	1	125K	25SA40960		P52-22	
41		分離ローラーゴム /2	1	125K	25SA40960		P55-22	
42		分離ローラーゴム /3	1	125K	25SA40960		P58-22	
43		ピックアップローラー /1	1	800K	A1DUR71J00		P54-2	
44		ピックアップローラー /2	1	800K	A1DUR71J00		P57-2	
45		ピックアップローラー /3	1	800K	A1DUR71J00		P60-2	
46		給紙クラッチ /1	1	2,000K	56AA82012		P54-17	
47		給紙クラッチ /2	1	2,000K	56AA82012		P57-17	
48		給紙クラッチ /3	1	2,000K	56AA82012		P60-17	
49		プレレジストクラッチ /1	1	2,000K	56AA82012		P53-11	
50		プレレジストクラッチ /2	1	2,000K	56AA82012		P56-11	
51		プレレジストクラッチ /3	1	2,000K	56AA82012		P59-11	
52	垂直搬送部	中間搬送クラッチ /1	1	2,000K	56AA82012		P73-9	

No.	区分	PM 部品名称	サイクル (K=1,000)		部品番号	仕向地	頁/キー	備考
			員数	交換				
53	レジスト部	レジスト清掃シート Assy	1	600K	A1DUR73B00		P71-11	
54		レジストローラー	1	1,400K	A1DUR73A00		P71-18	
55	両面部	中間搬送クラッチ /2	1	2,000K	56AA82012		P76-9	
56		中間搬送クラッチ /3	1	2,000K	56AA82012		P76-9	
57	反転/排紙部	反転デカローラー	1	400K	A03U860500		P88-22	
58		排紙デカローラー	1	1,000K	A03U892600		P84-5	
59	定着部	定着分離板 Assy	1	300K	A1DUR74H00		P43-13	
60		定着駆動ギア /O	1	450K	A03U809500		P45-32	
61		定着排紙ローラー /Up	2	450K	A03U722500		P42-12	
62		定着ベルト	1	450K	A1DU736000		P45-12	
63		定着ローラー /Lw	1	450K	A03U720300		P44-12	
64		断熱スリーブ /Lw	2	450K	A03U722700		P44-10	
65		定着軸受 /Lw	2	450K	26NA53712		P44-11	
66		定着リミッター	1	600K	65AA53651		P40-16	
67		定着駆動ギア /A	1	600K	65AA77470		P40-18	
68		定着駆動ギア /B	1	900K	A03U808201		P43-1	
69		定着ローラー /1	1	900K	A03U720100		P45-11	
70		定着ローラー /2	1	900K	A03U720201		P45-9	
71		定着軸受 /Up	2	900K	A1UD723500		P45-5	
72		定着軸受 /2	2	900K	56UA75070		P45-17	
73		ベルト規制スリーブ	2	900K	A03U725000		P45-10	
74		断熱スリーブ /Up	2	900K	A03U729500		P45-4	
75		定着駆動ギア /M	1	900K	A03U809311		P40-20	
76		定着ダクト Assy	1	1,800K	A1DUR72100		P38-12	
77		定着ランプ /Up	1	2,400K	A1DUM31A00	A	P45-34	
77		定着ランプ /Up	1	2,400K	A1DUM31E00	B,G2	P45-34	
77	定着ランプ /Up	1	2,400K	A1DUM31F00	C,D1,D3,E,F2,G1,H,I,J,K	P45-34		
78	定着ヒーターランプ /4	1	2,700K	A03UM32A00	A	P44-16		
78	定着ヒーターランプ /4	1	2,700K	A03UM32E00	B,G2	P44-16		
78	定着ヒーターランプ /4	1	2,700K	A03UM32F00	C,D1,D3,E,F2,G1,H,I,J,K	P44-16		
79	定着温度センサー Assy/Up ( 端部 )	1	2,400K	A1DUR72000		P45-23		
80	定着温度センサー Assy/Lw ( 端部 )	1	2,400K	A1DUR71W00		P43-23		
81	両面部	ADU 搬送クラッチ /1	1	3,600K	A03UM20100		P76-12	スポット交換部品
82		ADU 搬送クラッチ /2	1	3,600K	A03UM20100		P76-12	スポット交換部品
83		ADU 搬送クラッチ /3	1	3,600K	A03UM20100		P76-12	スポット交換部品
84		ADU プレレジストクラッチ	1	3,600K	A03UM20100		P76-12	スポット交換部品

## DESTINATION

Destination No.		Destinations		V	Hz	Model No.
A	A1	JAPAN		200	50	A1DV001/ A1DV003
	A2	JAPAN		200	60	A1DV001/ A1DV003
B		USA, CANADA		208-240	60	A1DV011/ A1DV012/ A1DV013
C		EUROPEAN TYPE		220-240	50/60	A1DV021/ A1DV022
D	D1	S.E ASIA TYPE	THAILAND, SRI LANKA, SINGAPORE, MALAYSIA, HONG KONG, PAKISTAN, INDIA, BANGLADESH, INDONESIA	220-240	50/60	A1DV041
	D3	OCEANIA TYPE	AUSTRALIA, NEW ZEALAND	220-240	50/60	A1DV051
E		PHILIPPINES		220-240	50/60	A1DV041
F	F1	SAUDI ARABIA				
	F2	SAUDI ARABIA		220-240	50/60	A1DV041
G	G1	C.S AMERICA		220-240	50/60	A1DV041
	G2	C.S AMERICA		208-240	60	A1DV011
H		TAIWAN		220	60	A1DV071
I		JORDAN, LEBANON, SYRIA, SOUTH AFRICA, IRAQ, IRAN, N.YEMEN, CAMEROON, UAE, BAHRAIN, OMAN, QATAR, KUWAIT, KENYA, TUNISIA, IVORY COAST, MOROCCO		220-240	50/60	A1DV041
J		CHINA		220	50/60	A1DV081
K		KOREA		220-240	50/60	A1DV091

bizhub PRESS C6000/bizhub PRO C6000L